

ELECTRICAL ASSEMBLIES

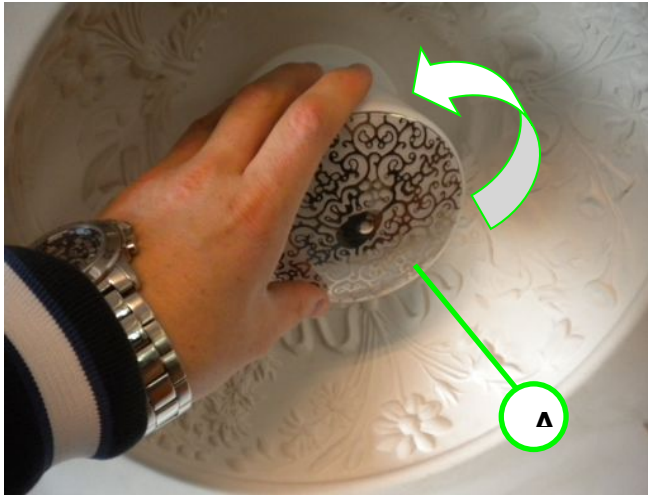


RFU643700



RFU643800

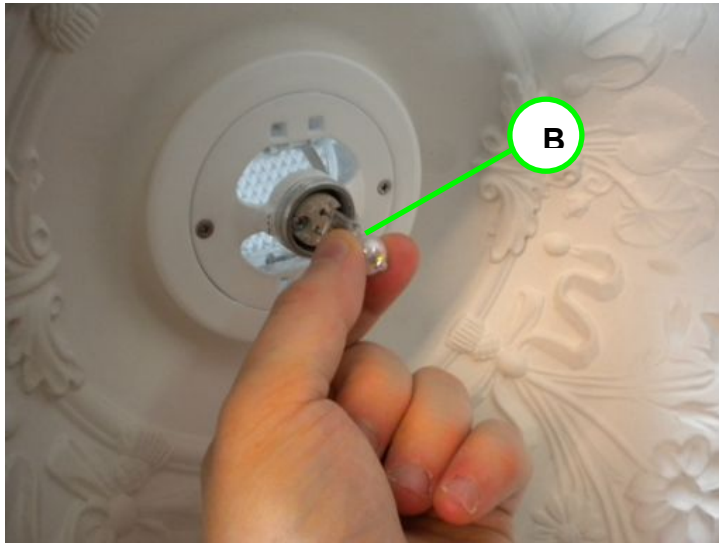
WARNING! When installing and whenever acting on the appliance, ensure that the power supply has been switched off.
For the installation of the spare-part, it is necessary to consult a qualified electrician.



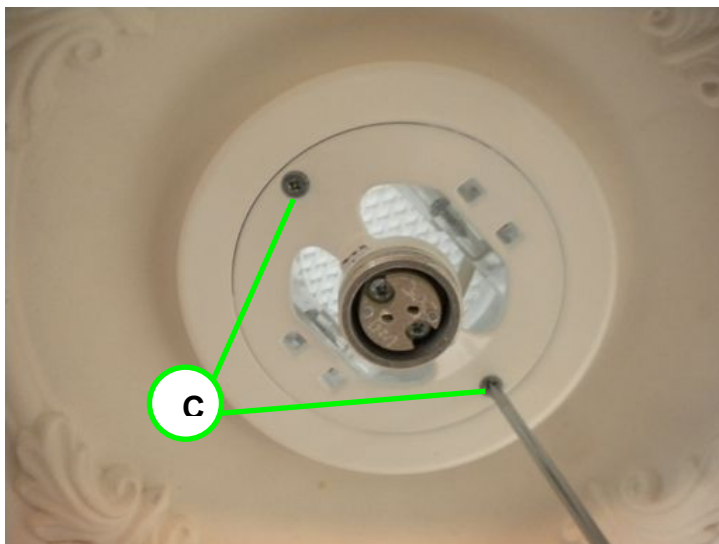
Unfasten the glass diffuser (A) from the lamp body.

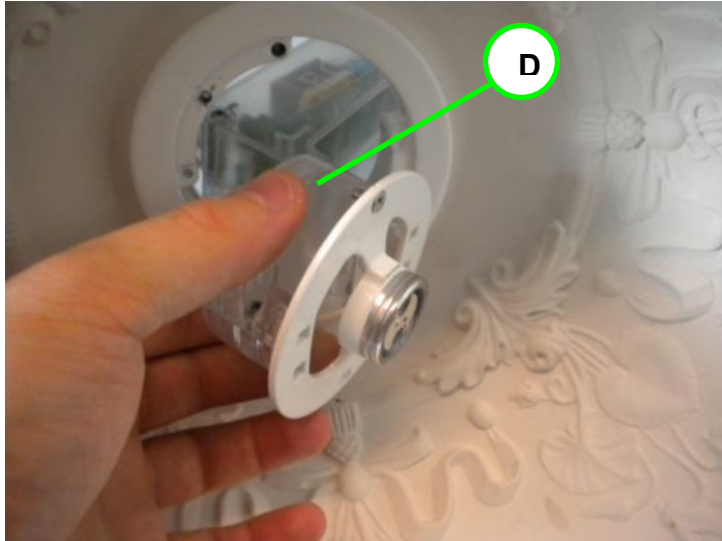


FLOS U.S.A., Inc. 110 York Street, 5th Floor, Brooklyn, NY 11201 | Tel: 718-875-3472 | Email: eshop@flosusa.com | <http://usa.flos.com>

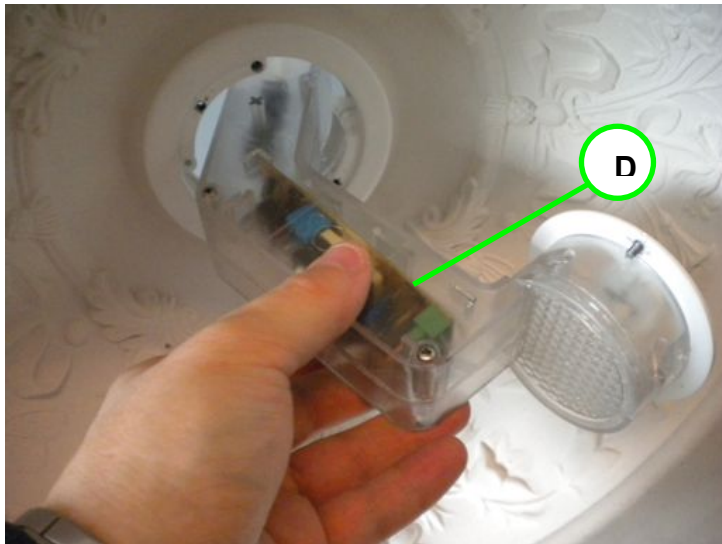


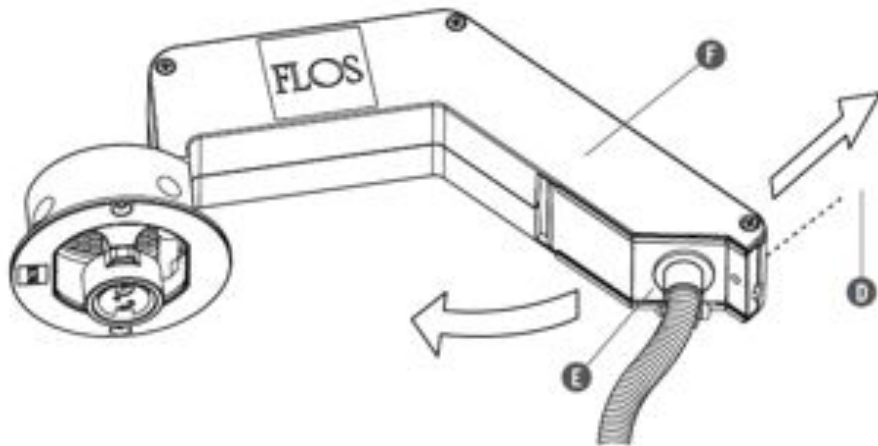
Remove the lamp bulb (B) and unfasten the two locking screws (C).





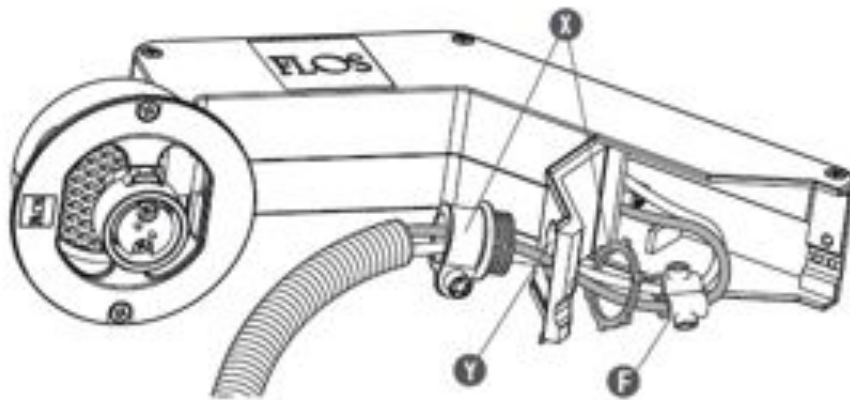
Slide out the damaged electrical assembly (D) from the lamp body.

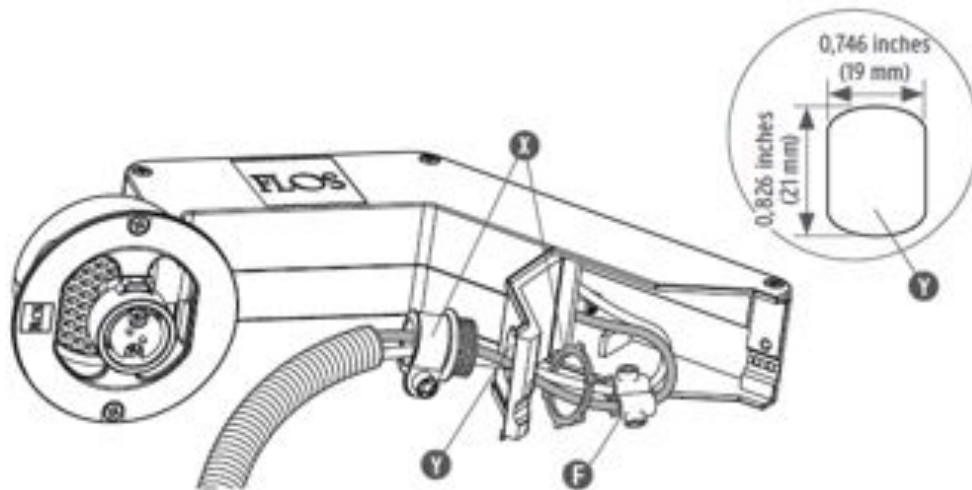




Unfasten the screw (D) present on the handle (F) and open the lid (E).

Unfasten the compression fitting from the conduit locknut (X) and disconnect the wires from the electrical terminals (F).

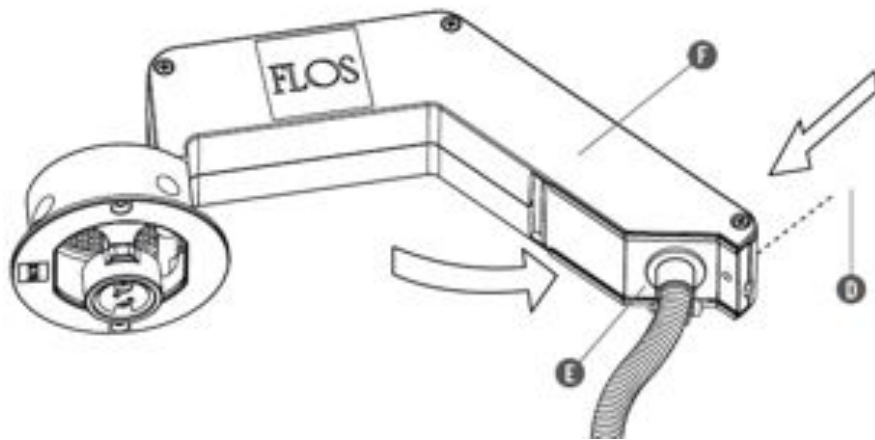




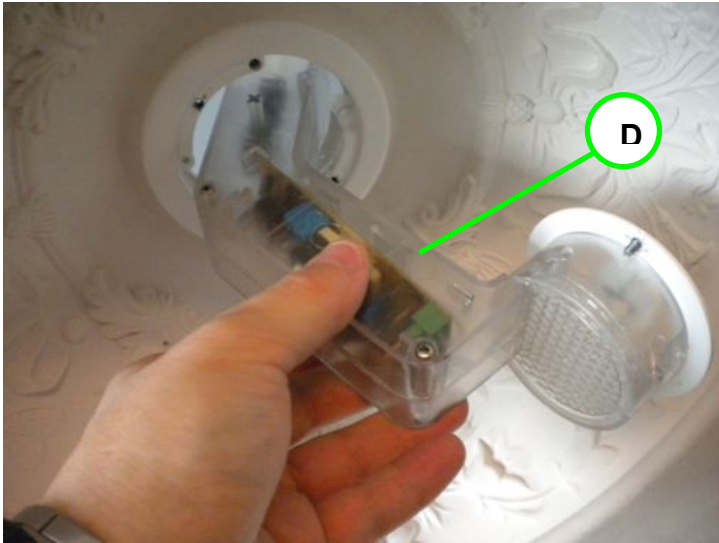
white, black with black) inside the handle.

Assemble now the new spare-part:

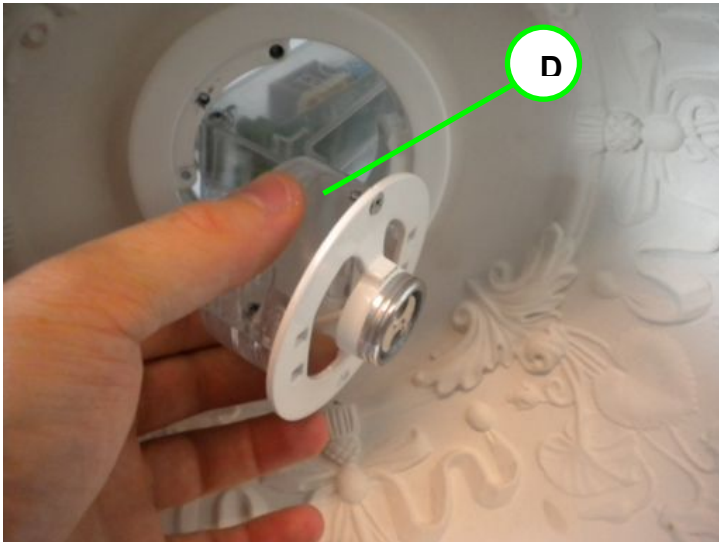
Fix the conduit to the hole (Y) of the lid (E) using a compatible straight compression connector fitting (X) (not provided) with the hole dimensions indicated in the image. Then, carry out the electrical connections; (white with

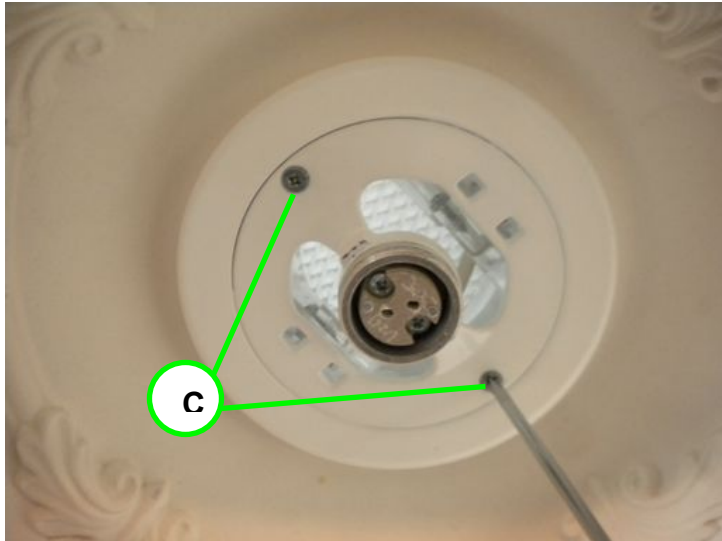


Close the lid (E) and fasten the screw (D).

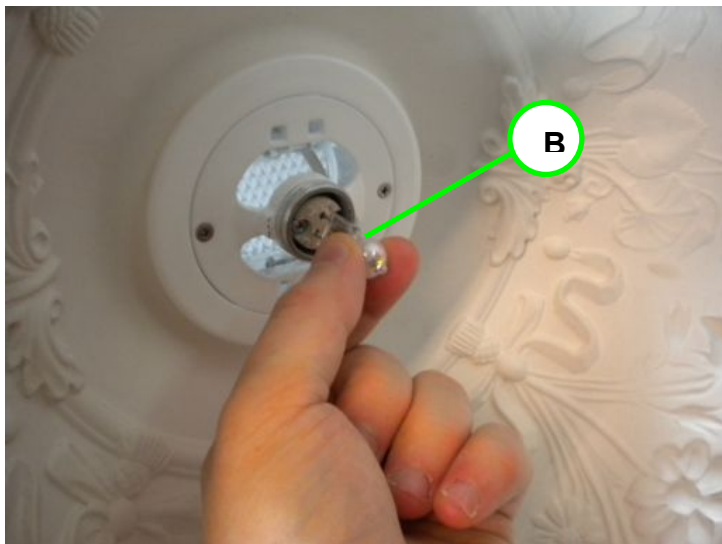


Insert the electrical assembly (D) into the lamp body, ensuring to insert the back part first and then turn until it is completely inserted.



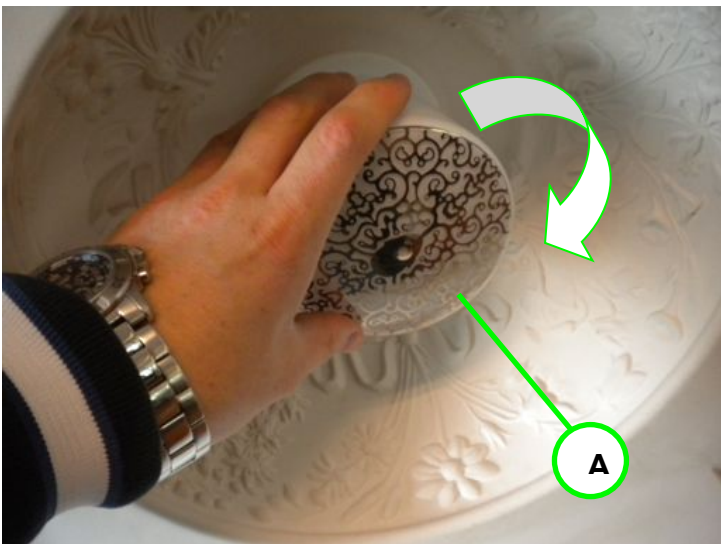


*Fix the electrical assembly to the lamp body by fastening the screws (C).
Install the lamp-bulb (B).*





Screw on the diffuser (A) by keeping it perpendicular to the threaded screw (B).



REMARK!!! *Screw on the diffuser without forcing. Once reaching the end of the thread loosen slightly to make it easy for a future removal.*