

---

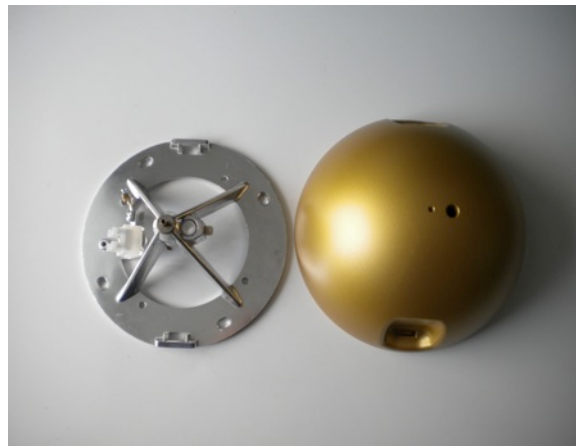
## CEILING ROSE ASSEMBLY



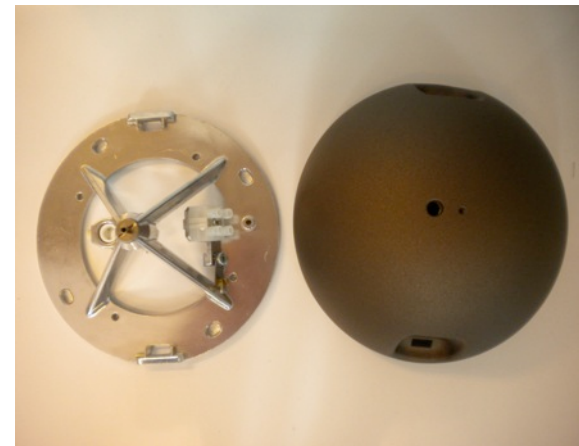
**RFU642209**



**RFU642230**



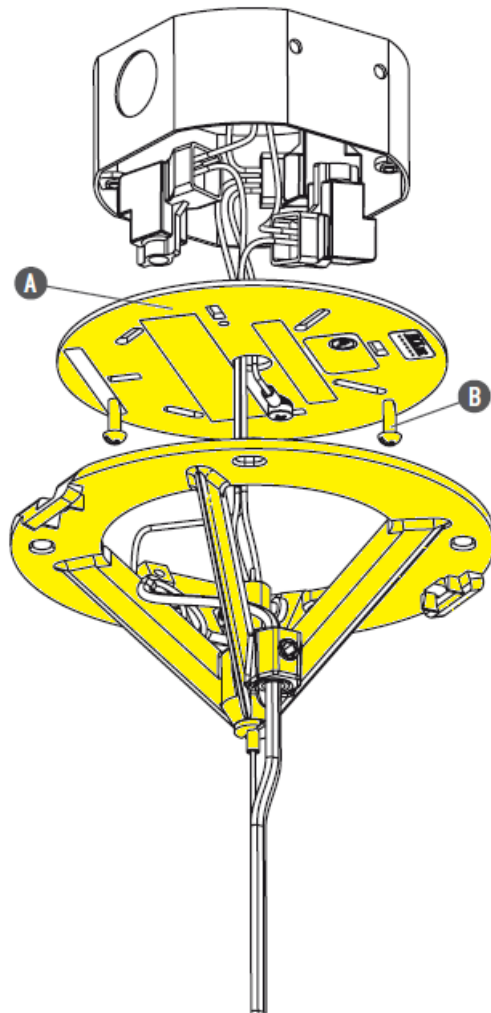
**RFU642244**



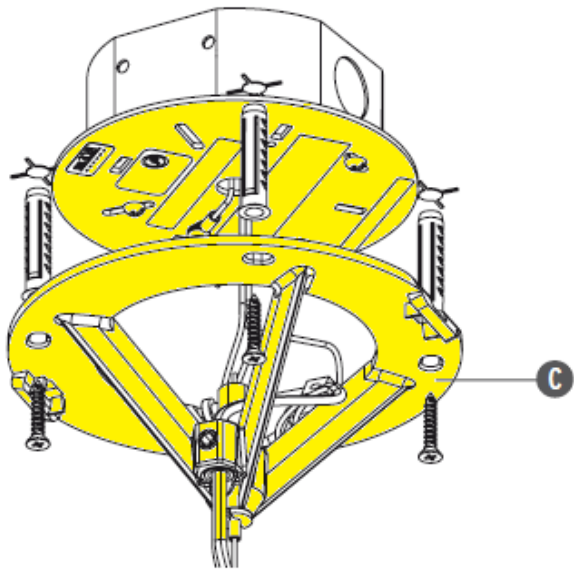
**RFU642247**

**WARNING!** When installing and whenever acting on the appliance, ensure that the power supply has been switched off.

For the installation of the spare-part, it is necessary to consult a qualified electrician.

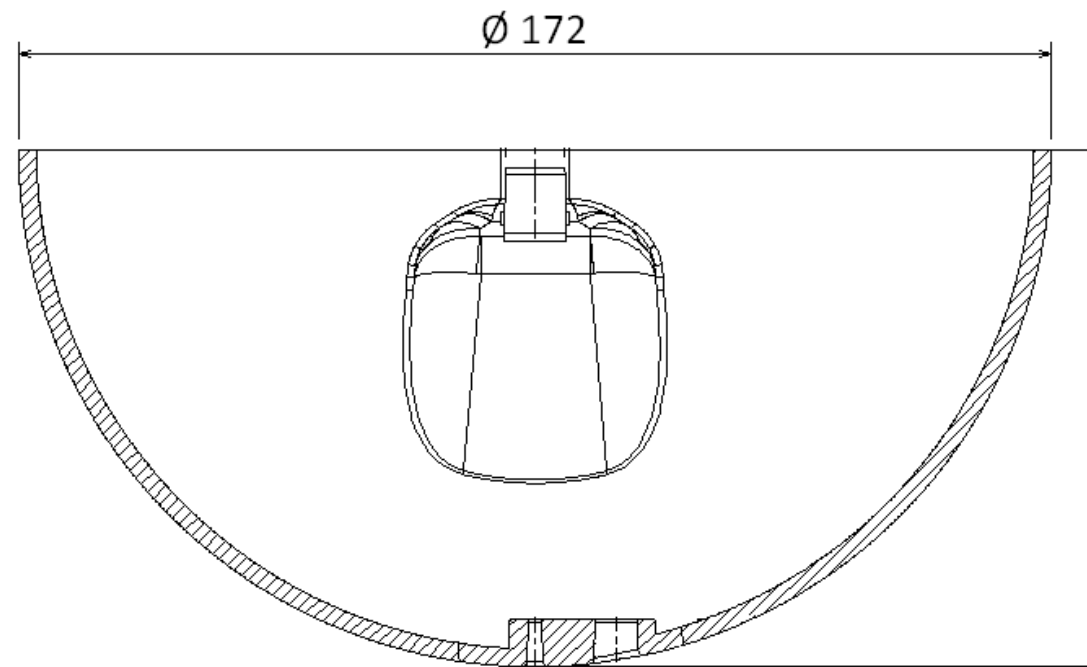
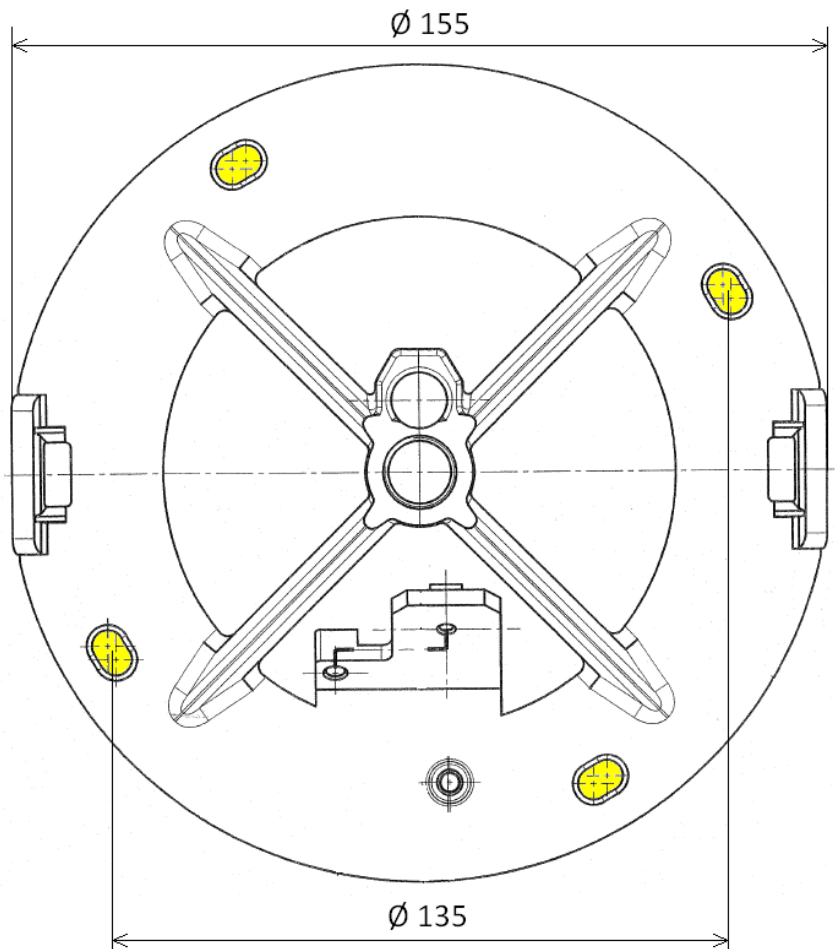


Allow the feed cables from the apparatus to pass through the central hole of the covering plate (A), then proceed with the electrical connections in the outlet box; respecting the poles (Phase: black, Neutral: white, Earth: green (the white dashes indicate neutral)). Fix the plate (A) to the Outlet Box using the two screws (B) supplied.



Fix the wall attachment (C) to the ceiling using the screws and plugs  
**(WARNING!** This fixture must be mounted/supported independently from the Outlet Box; **NOTE:** for a correct use of the product it is necessary to ensure that the fixing is suitable for the type of ceiling (type of plugs used depend on the material making up the ceiling) in relation to the weight of the apparatus (approximately 24 kg).

## CEILING ATTACHMENT CENTRE TO CENTRE FIXING HOLES AND ROSE DIMENSIONS



**Attention!!!** Dimensions in the present drawing are in mm.

FLOS U.S.A., Inc. 110 York Street, 5th Floor, Brooklyn, NY 11201 | Tel: 718-875-3472 | Email: e-shop@flosusa.com | <http://usa.flos.com>

This document is exclusive property of Flos S.p.A. and its affiliated companies.