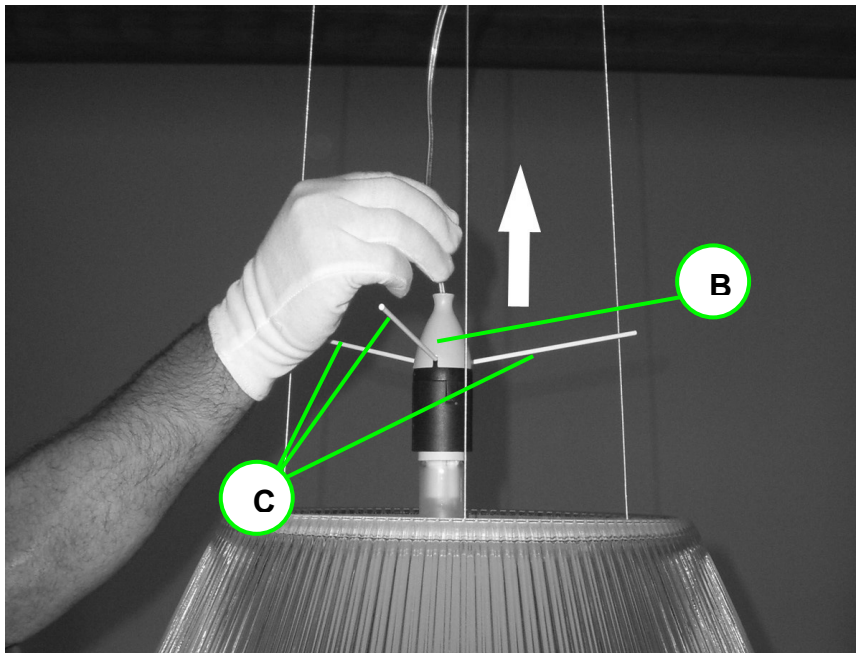

RFU610502

E26 LAMPHOLDER WITH CONNECTED 16,40 FEET ELECTRICAL CABLE

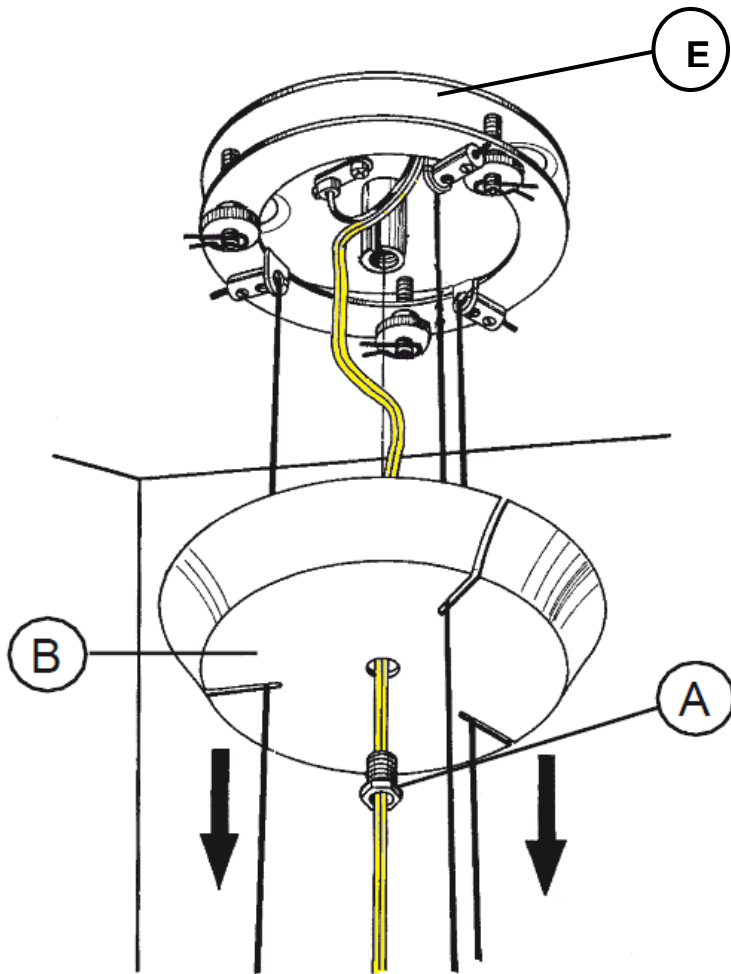


WARNING! When installing and whenever acting on the appliance, ensure that the power supply has been switched off. For the installation of the spare-part, it is necessary to consult a qualified electrician.

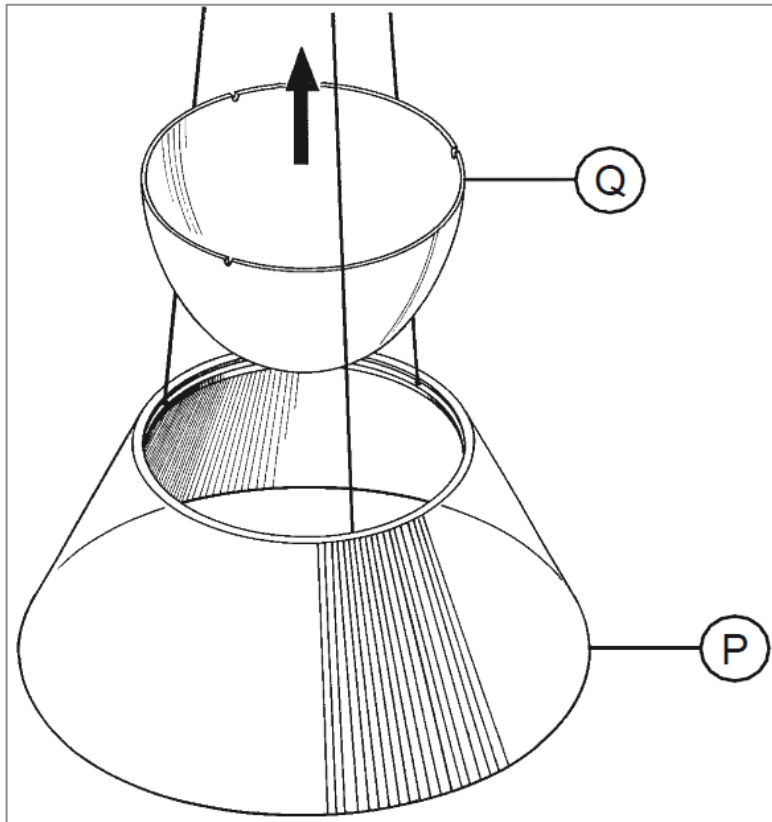


Pull-out the damaged lampholder assembly (B) from the appliance.

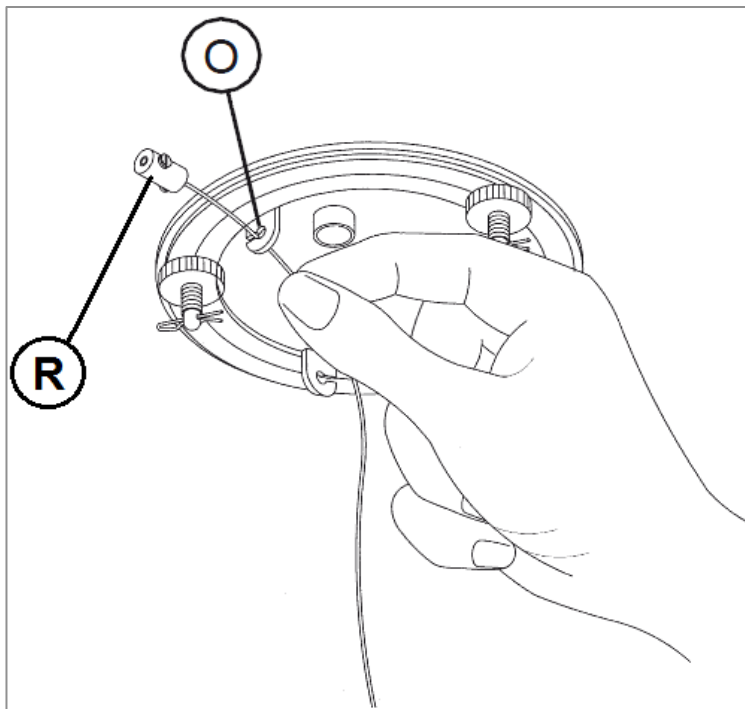
Unhook the three lamp supports (C) from the lampholder assembly (B).



Unfasten the plastic nut stopper (A) and lower down the ceiling rose (B) from the ceiling attachment (E).



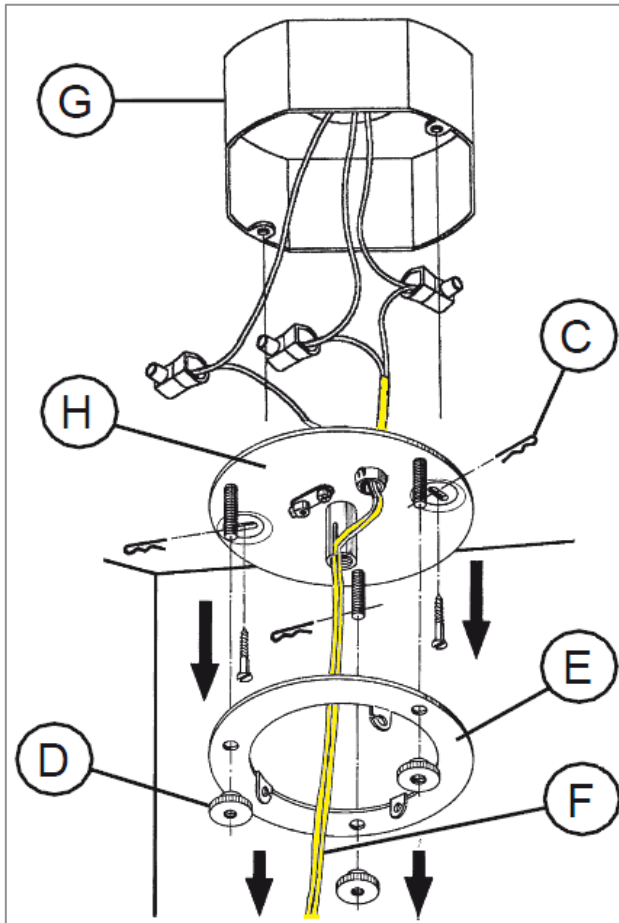
Remove the internal glass diffuser (Q) from the external diffuser (P).



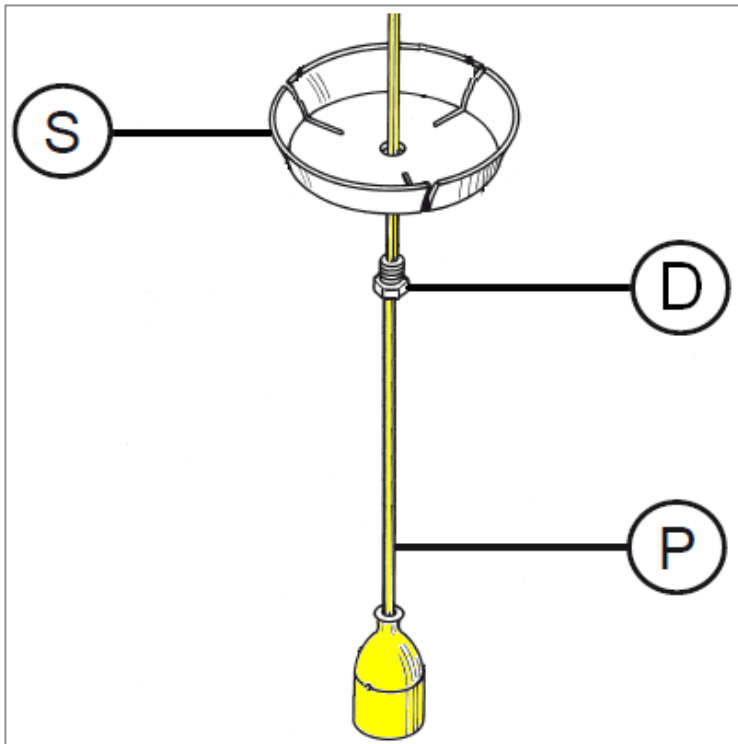
Remove the external diffuser.

It is necessary to ask somebody to hold the diffuser for you whilst operating.

Unhook the 3 locks (R) from the openings (O).

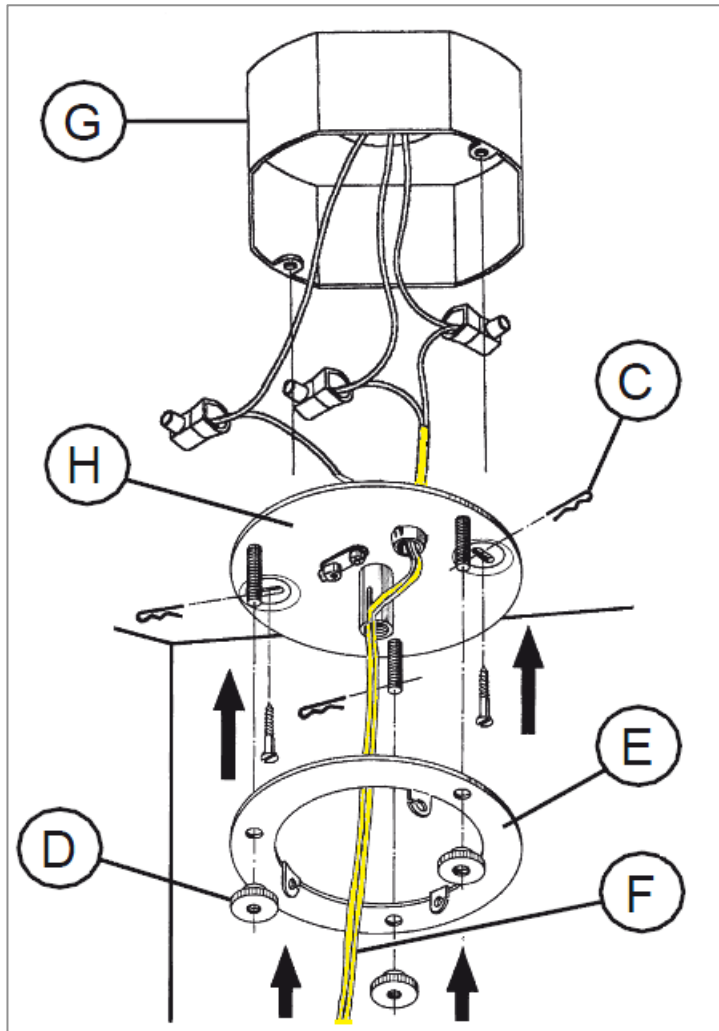


Remove the split pins (C), unfasten the knurl nuts (D) remove the adjustment ring (E), remove the ceiling attachment by unfastening the fixing screws and disconnect the electrical wires inside the junction box (G) and remove the electrical cable (F).



Assemble now the new spare-part:

Insert the electrical cable (P) through the plastic nut (D) and then through the ceiling coupling (S).



Insert the electrical cable (F) through the adjustment ring (E) and through the ceiling attachment (H).

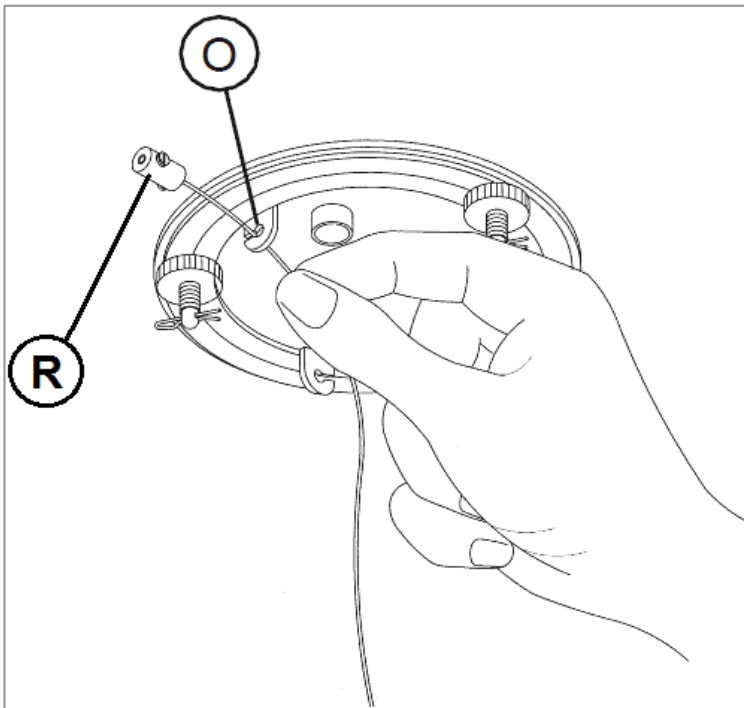
Decide the height at which you desire to hang the appliance, then cut off the excess power supply cable (F).

Carry-out the electrical connection in the junction box (G).

Connect the wires respecting the polarities: Black with black, white with white, ground wire with the ground wire.

Assemble the mounting plate (H) to the junction box (G).

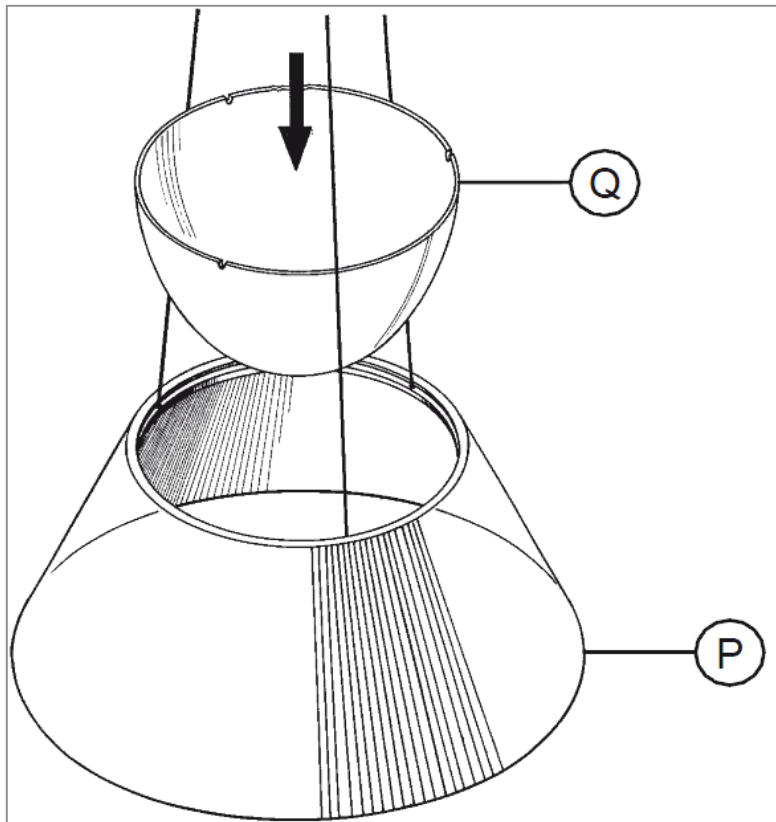
Assemble the adjustment ring (E), tighten the knurl nuts (D) and insert the safety split pins (C).



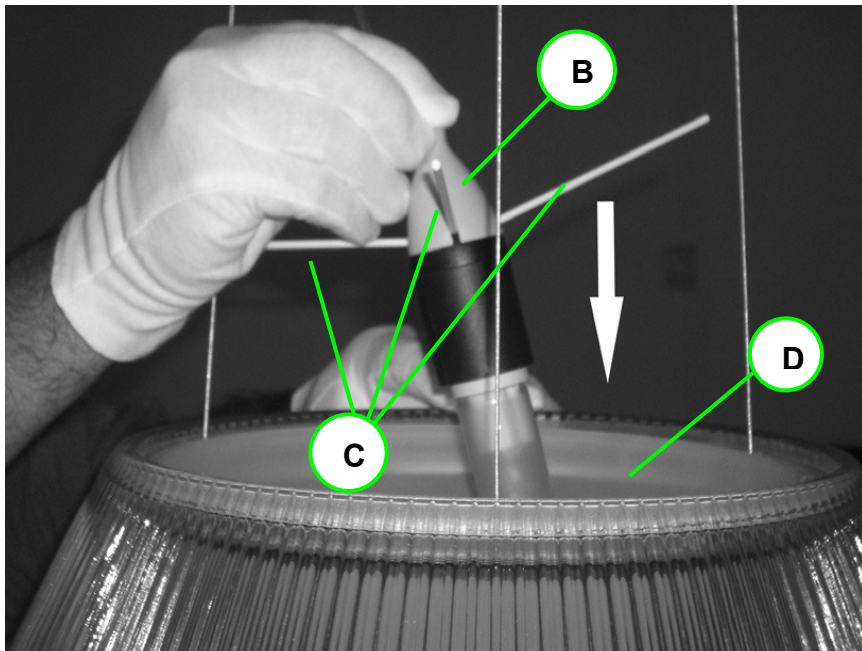
Install the external diffuser.

It is necessary to ask somebody to hold the diffuser for you whilst operating.

Hook back-on, the 3 locks (R), paying attention that the locks are firm on the openings (O).



Install the internal glass diffuser (Q) by collocating it on top of the external diffuser (P).



Hook the three supports (C) to the lampholder assembly (B).

Collocate the electrical assembly (B) inside the internal glass diffuser (D), ensuring that the three lampholder supports (C) are hooked on the three openings present on the glass diffuser (D).