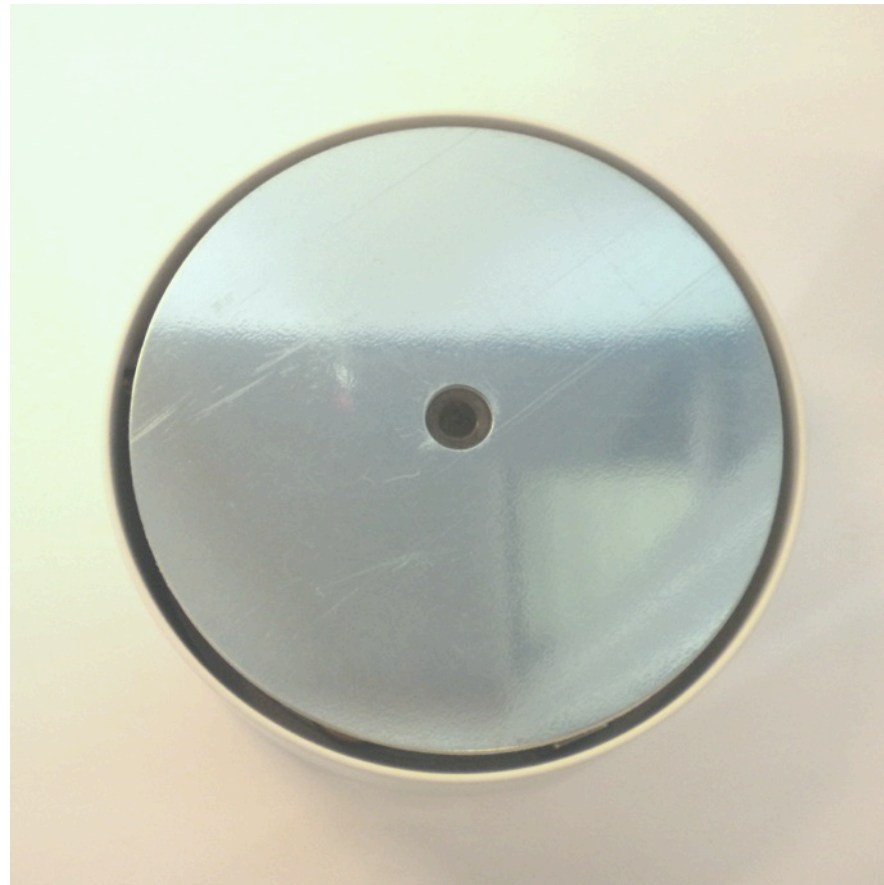


---

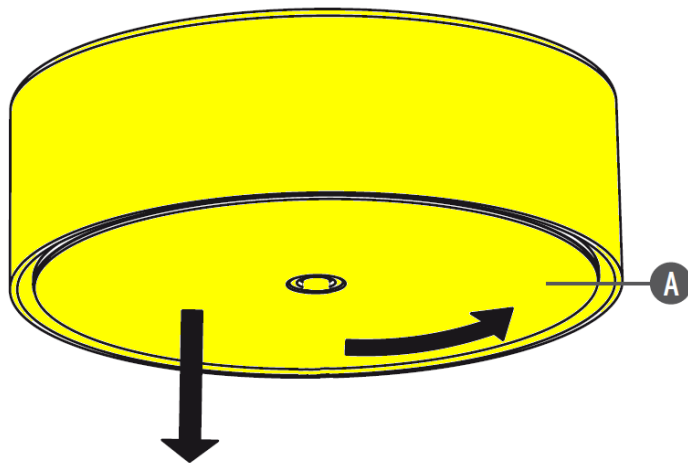
## RFU593110

### RAY S CEILING ROSE ASSEMBLY

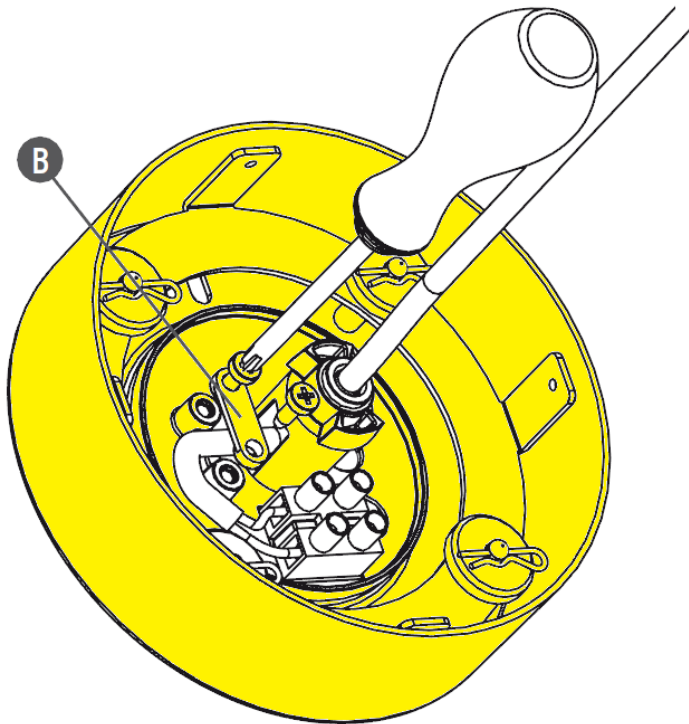


---

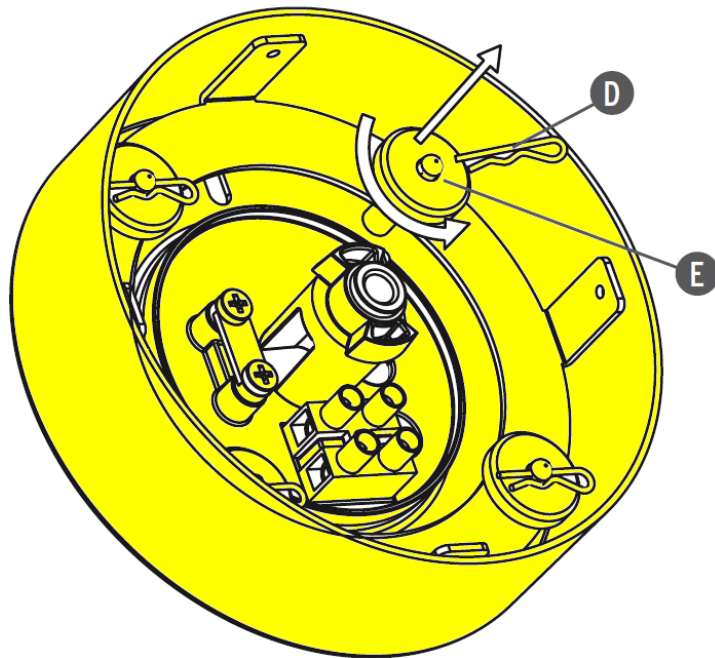
**WARNING!** When installing and whenever acting on the appliance, ensure that the power supply has been switched off.  
For the installation of the spare-part, it is necessary to consult a qualified electrician.



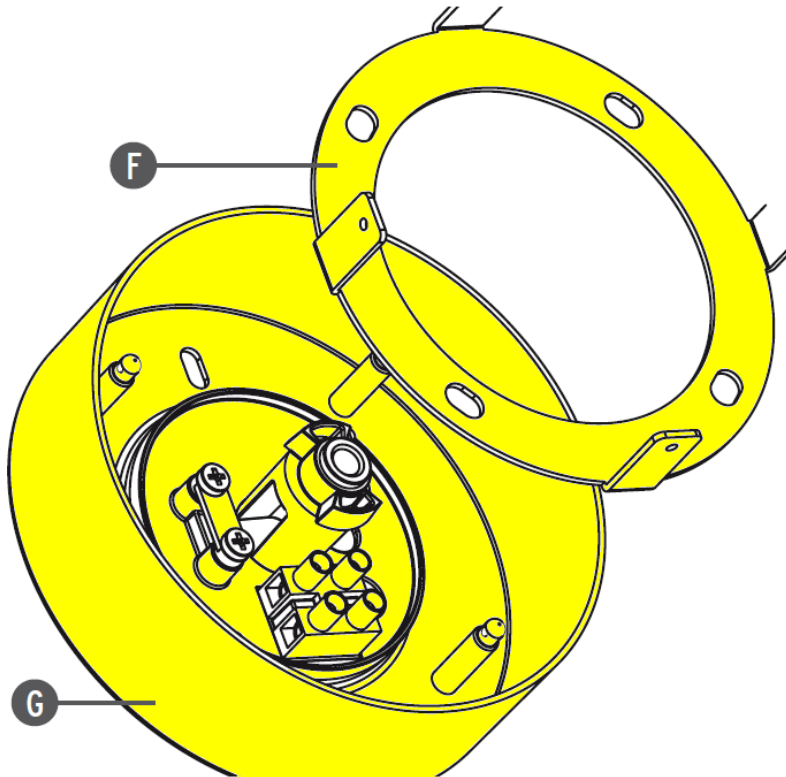
Disassemble the rose cover (A), by rotating it counterclockwise.



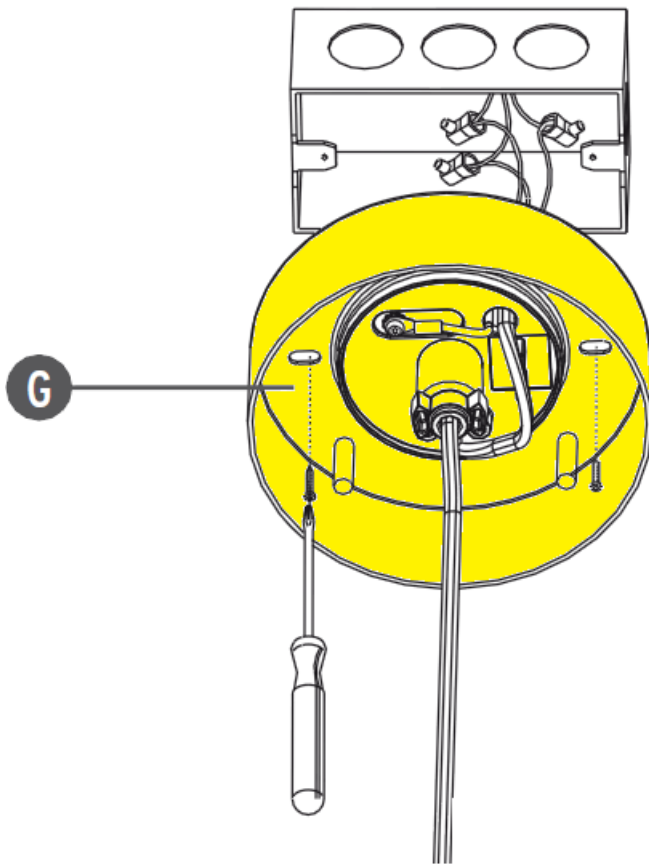
Remove the cable clamp (B).



Remove the safety cotter pins (D) and unscrew the milled nuts (E).

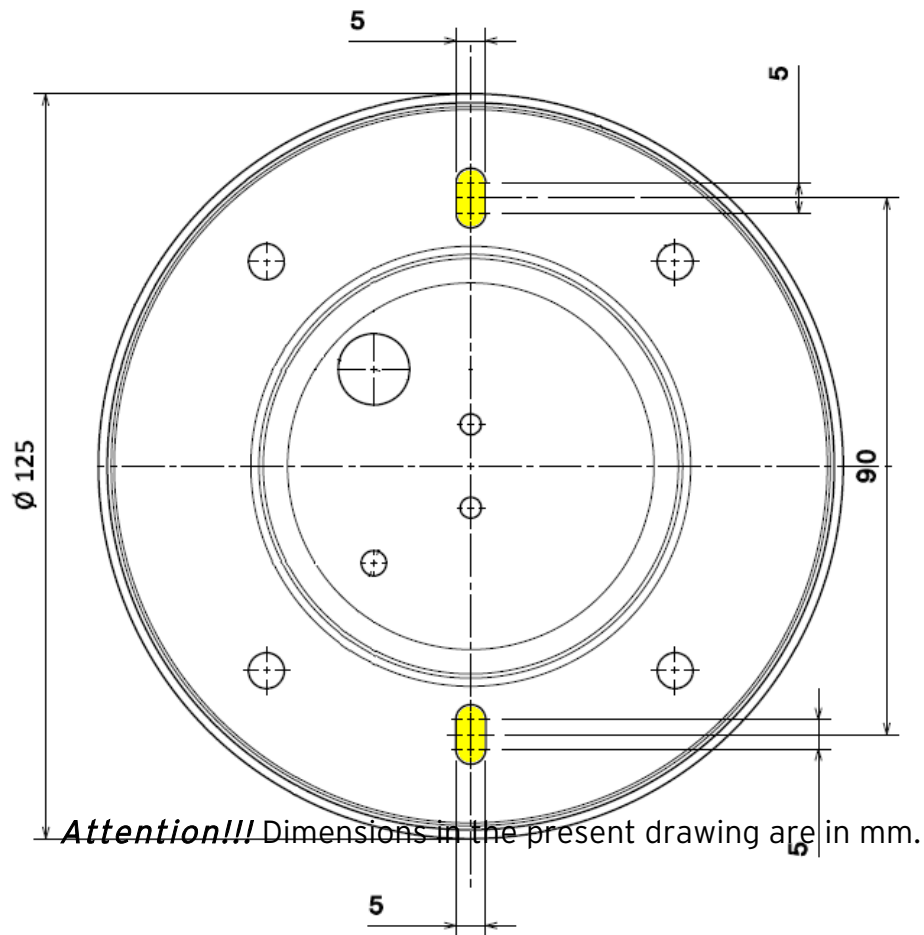


Separate the balancing ring (F) from the wall attachment (G).



Connect the electrical connections, respecting the polarities.  
Phase: black, Neutral: white ((the white dashes indicate neutral),  
Earth: green then assemble the ceiling attachment (B) to the Junction  
Box utilizing the screws provided.  
Place on the ceiling attachment the rose (A).

## CEILING ATTACHMENT DIMENSIONS AND CEILING ROSE DIMENSIONS



**Attention!!!** Dimensions in the present drawing are in mm.

