

---

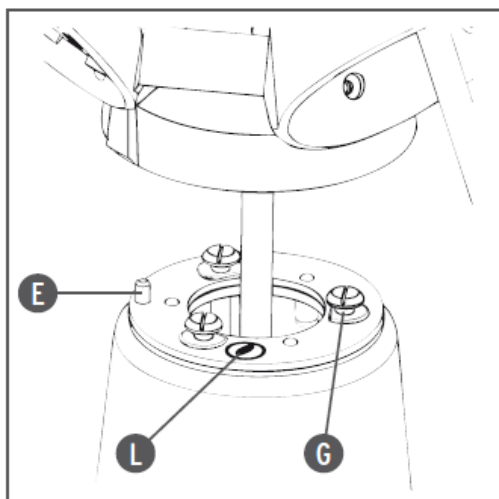
## RFU455100

### GLASS DIFFUSER "B" ASSEMBLY



**WARNING!** When installing and whenever acting on the appliance, ensure that the power supply has been switched off.

For the installation of the spare-part, it is necessary to consult a qualified electrician.



Assemble the type of diffuser on the lamp body ensuring that it corresponds with the reference pin (E) of the diffuser and with the opening (F) present of the lamp body.

Insert the head of the three screws (G) into their appropriate slots (H) of the lamp body.

Rotate the diffuser clockwise until it locks in position (to turn the diffuser, utilize the external part of the diffuser).

The diffuser type and the relative assembly are located and indicated by the proper label (L);

