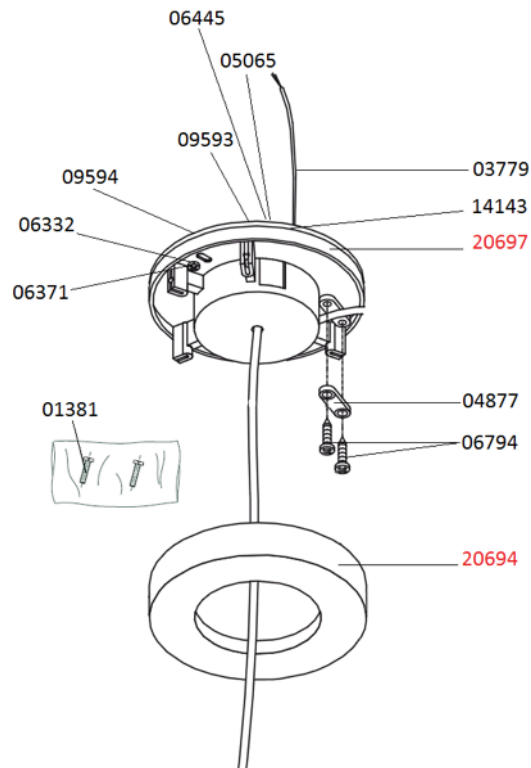
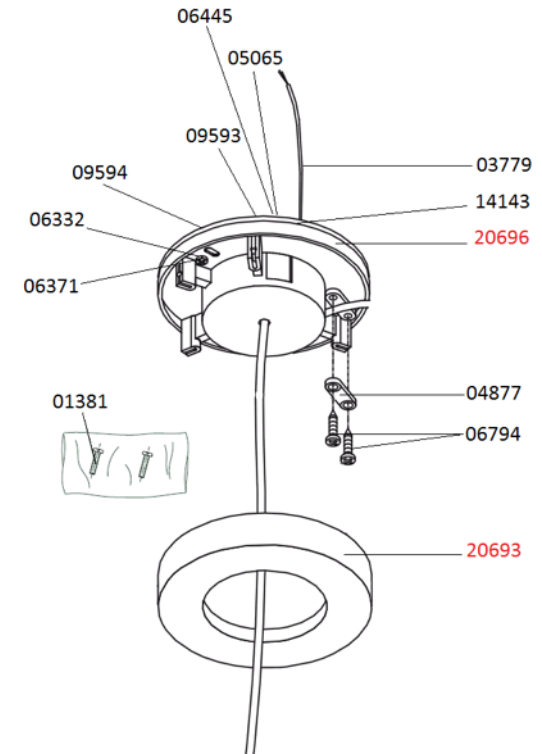


CEILING ROSE ASSEMBLY



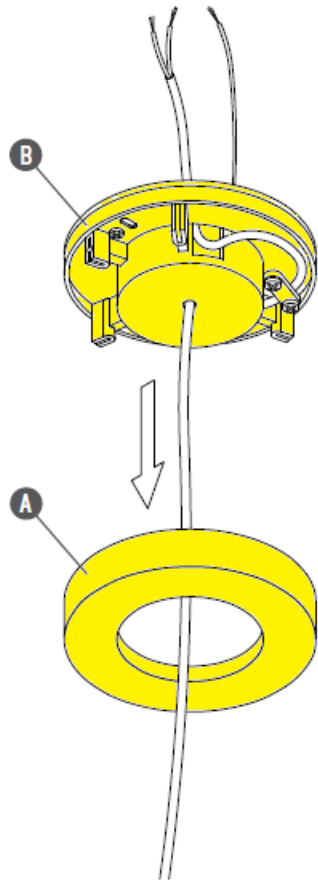
RFU155530



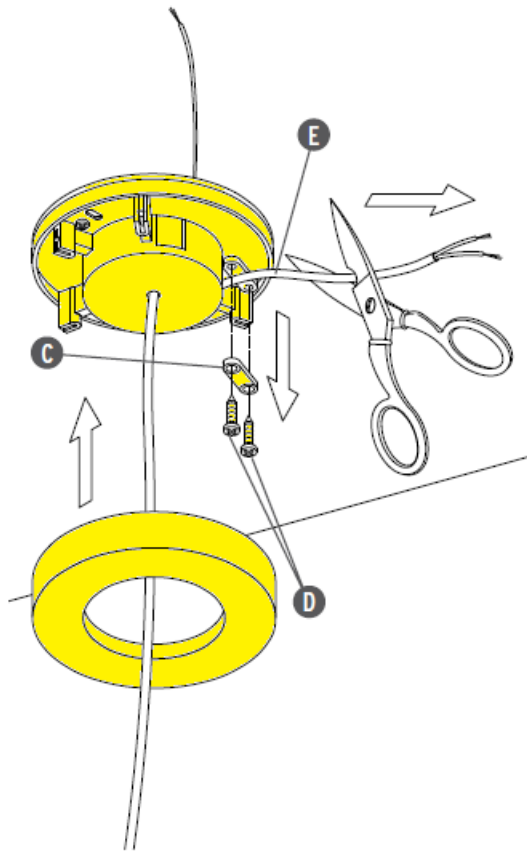
RFU155509

WARNING! When installing and whenever acting on the appliance, ensure that the power supply has been switched off.

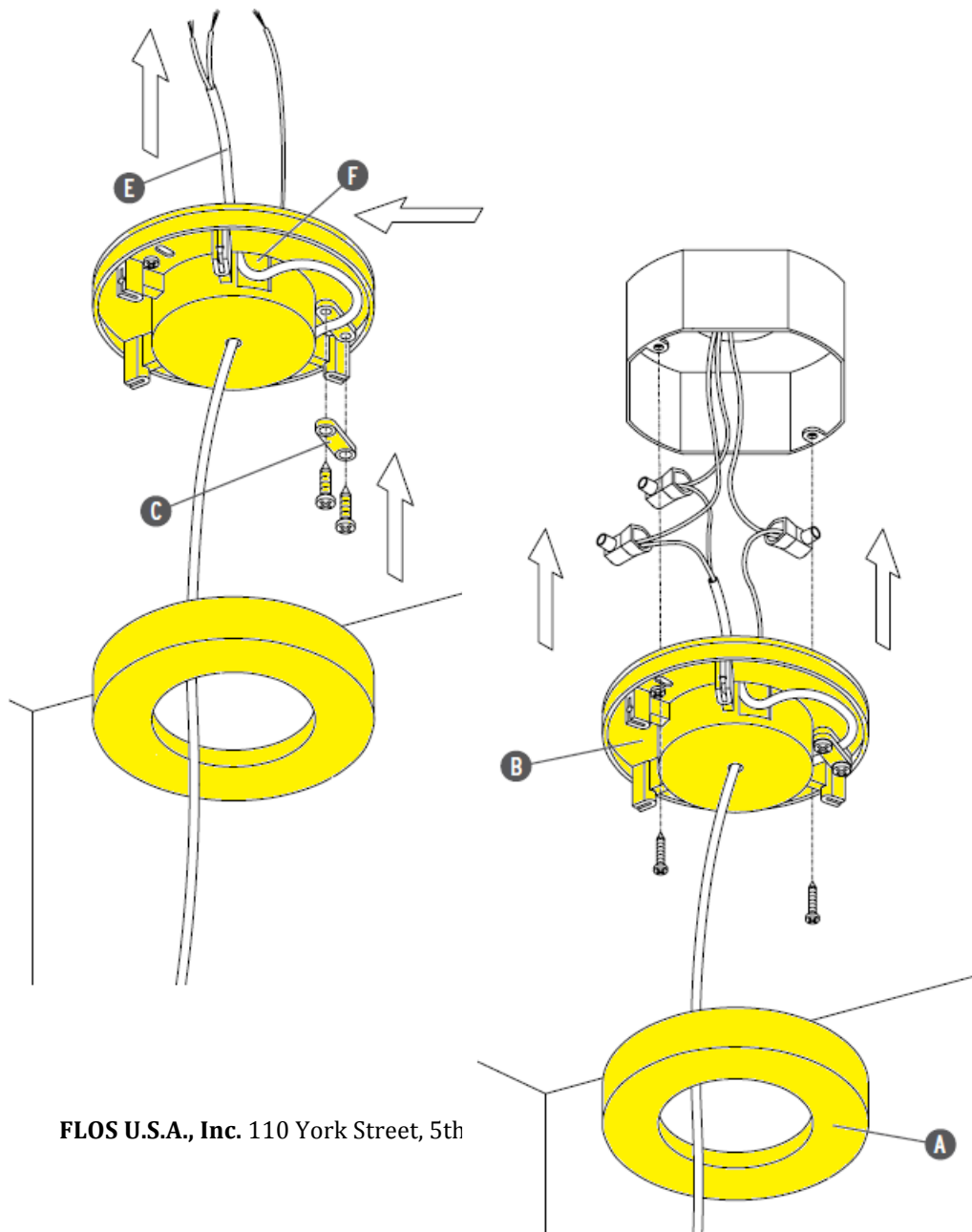
For the installation of the spare-part, it is necessary to consult a qualified electrician.



Unhook ceiling rose (A) from the ceiling attachment (B).



Remove the cable clamp (C) unfastening the two screws (D).
Decide the height at which you desire to hang the appliance, then cut off the
excess power supply cable (E).



Pass the power supply cable (E) coming from the appliance through the hole (F) in the side of the ceiling attachment, then lock it with the cable-clamp (C).

Connect the electrical connections, respecting the polarities.
Phase: black, Neutral: white ((the white dashes indicate neutral), Earth: green then fix the ceiling attachment (B) to the Junction Box utilizing the screws provided.
Place on the ceiling attachment the rose (A).

TECHNICAL DRAWING ROSE ASSEMBLY

