

---

*RFU070100*

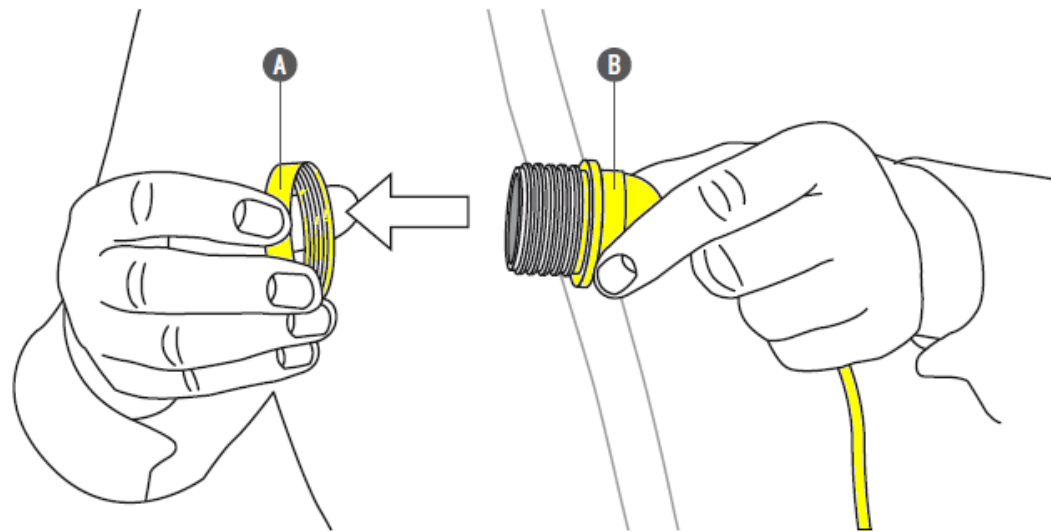
*ELECTRICAL WIRING ASSEMBLY*



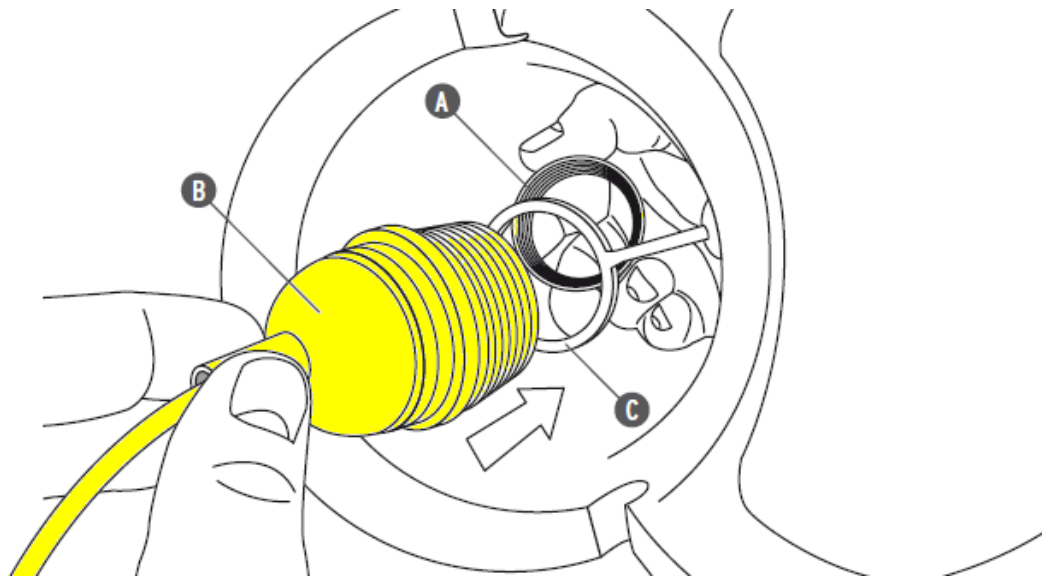
**FLOS U.S.A., Inc.** 110 York Street, 5th Floor, Brooklyn, NY 11201 | Tel: 718-875-3472 | Email: [e-shop@flosusa.com](mailto:e-shop@flosusa.com) | <http://usa.flos.com>

---

**WARNING!** When installing and whenever acting on the appliance, ensure that the power supply has been switched off.  
For the installation of the spare-part, it is necessary to consult a qualified electrician.



Separate the ring nut (A) from the light bulb holder (B) by unscrewing it.



*Insert the lampholder (B) into the ring support (C) and lock it, by tightening the ring nut (A); install the light bulb.*

**FLOS U.S.A., Inc.** 110 York Street, 5th Floor, Brooklyn, NY 11201 | Tel: 718-875-3472 | Email: [e-shop@flosusa.com](mailto:e-shop@flosusa.com) | <http://usa.flos.com>