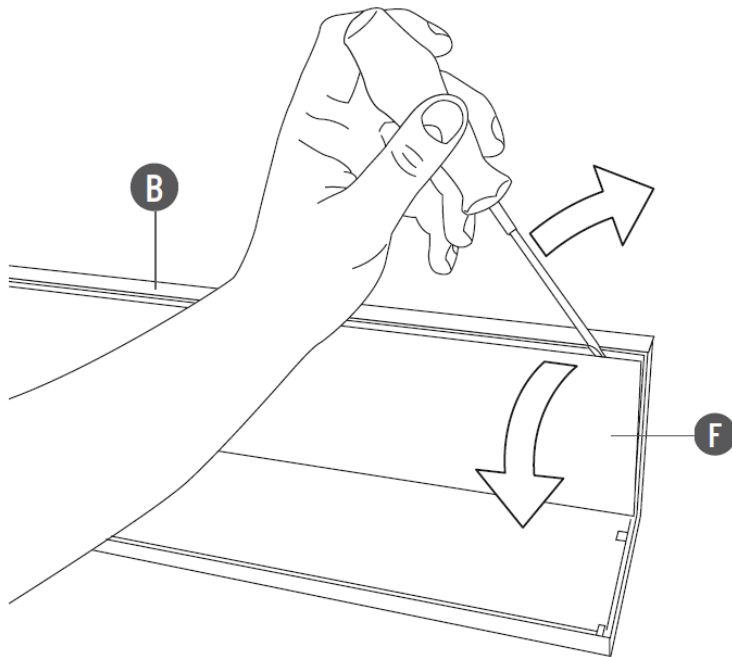

RFU002120

POWER SUPPLY UNIT

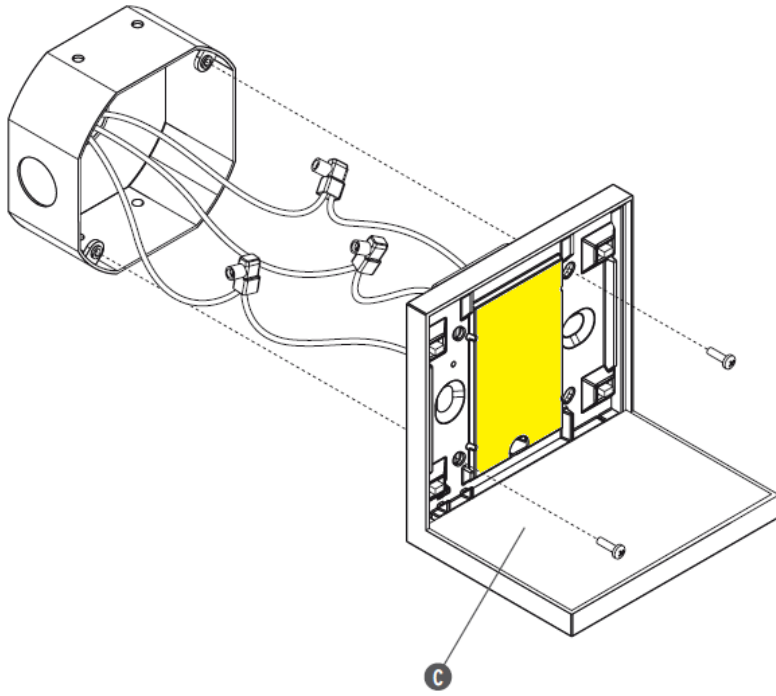


WARNING! When installing and whenever acting on the appliance, ensure that the power supply has been switched off.

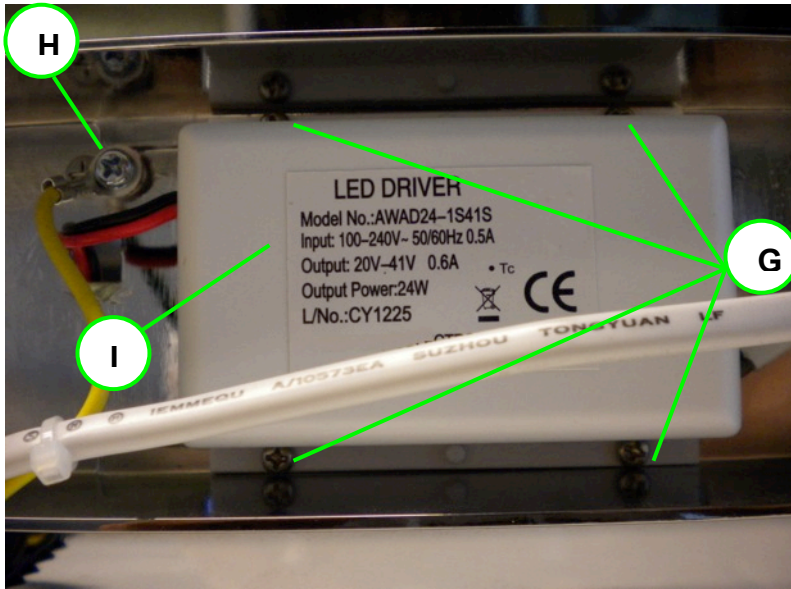
For the installation of the spare-part, it is necessary to consult a qualified electrician.



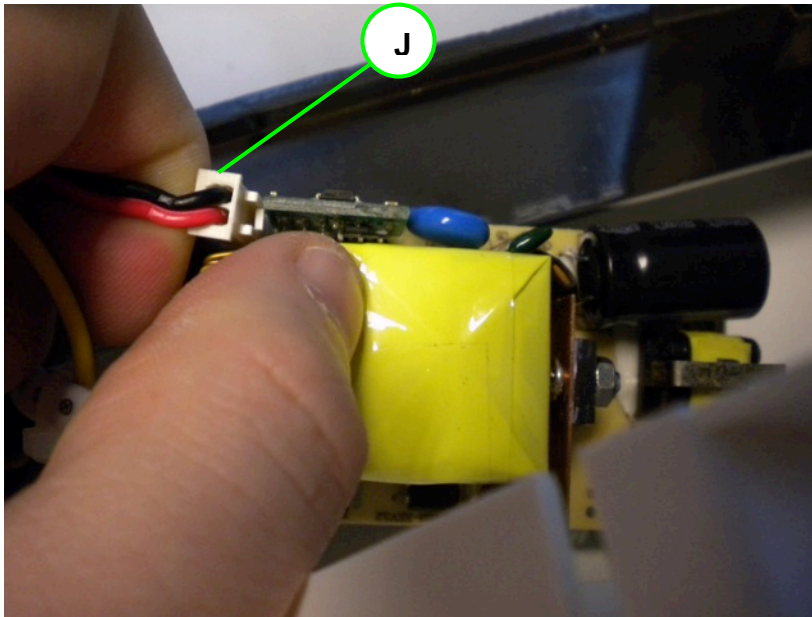
By utilizing a flat tip screwdriver, remove the plate (F) by unhooking it from the fastening magnets of the body (B).



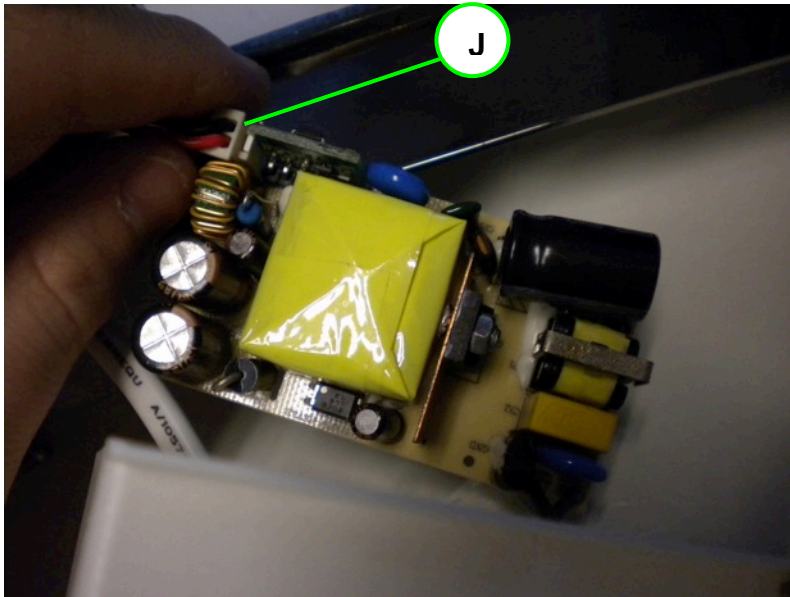
Disassemble the lamp body (C) from the junction box by unfastening the fixing screws.
Disconnect the wires from the terminals in the junction box.



Unfasten the 4 screws (G) of the driver cover (I) and disconnect the earth terminal from the lamp body.

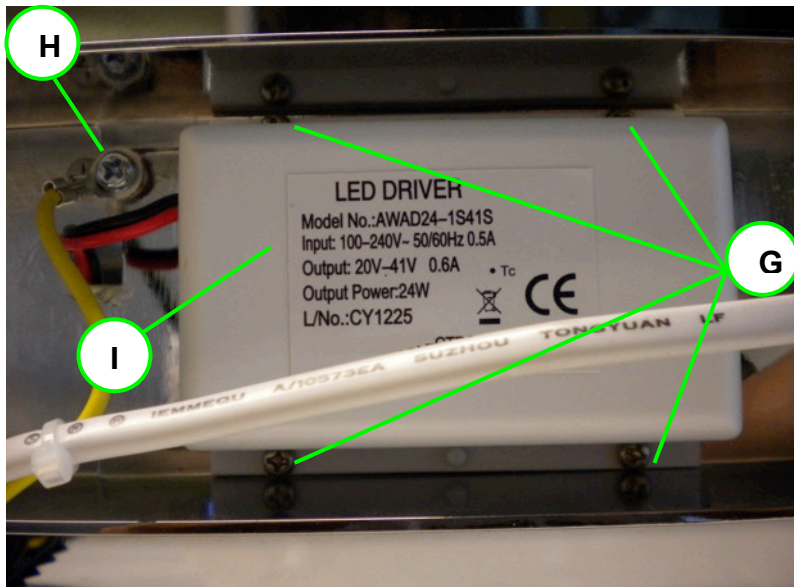


Disconnect the LED feed connector (J) from the damaged power supply printed circuit board.

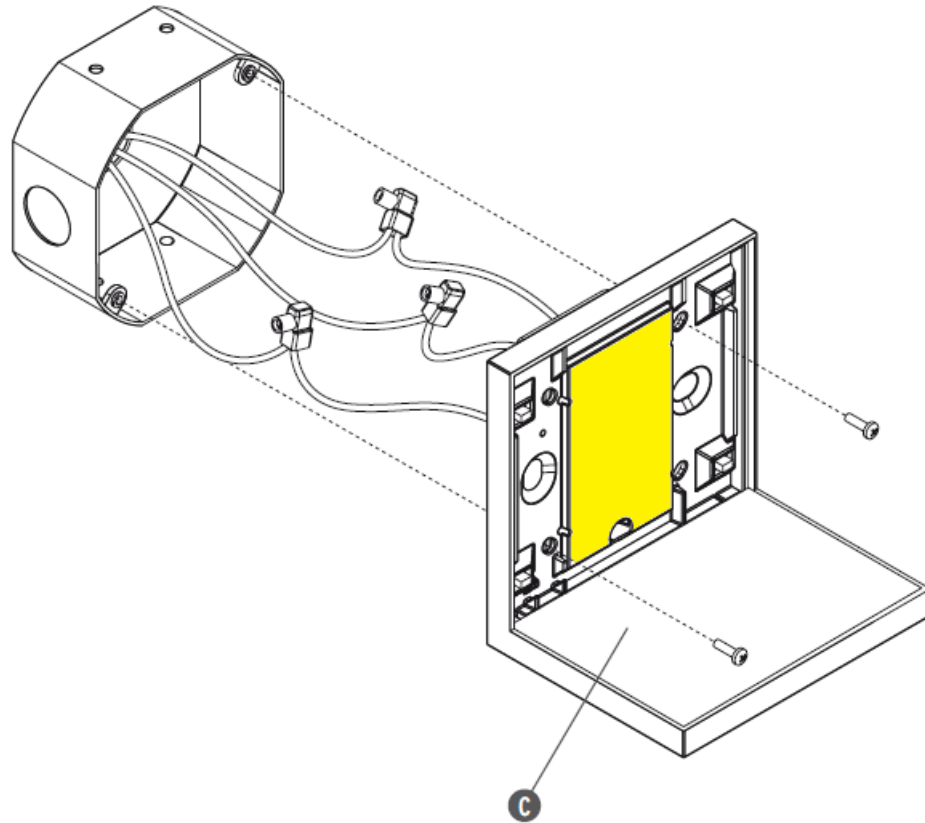


Assemble now the new spare-part:

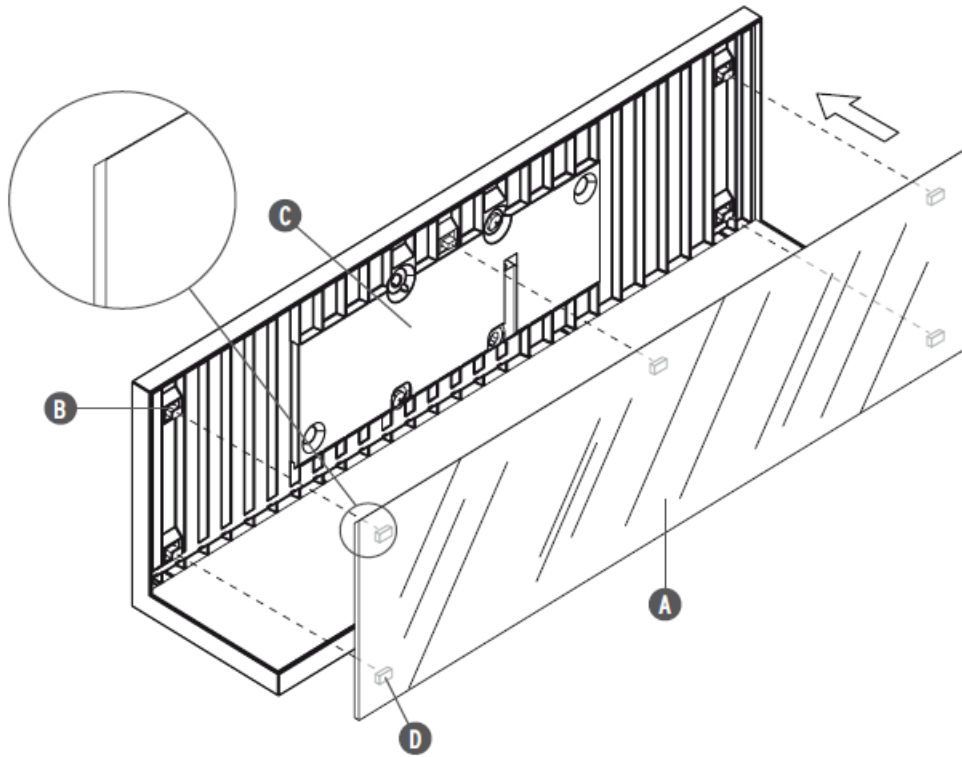
Connect the LED feed connector (J) to the new printed circuit board connector.



Assemble the driver assembly onto the lamp body.
Position the cover (I) on top of the printed circuit board and fasten the 4 fixing screws (G).
Connect the earth terminal (H) to the lamp body.



Connect the wires to the terminals in the junction box by respecting the polarities (Black = Phase, White = Neutral and Yellow = Earth). Assemble the lamp body (C) to the junction box by fastening the fixing screws.



Assemble the plate (A) onto the body (C) by placing the metal plugs (B) in line with the magnets (D), ensuring to observe the right orientation (the rounded-off side of the plate must be positioned upwards as shown in the image).