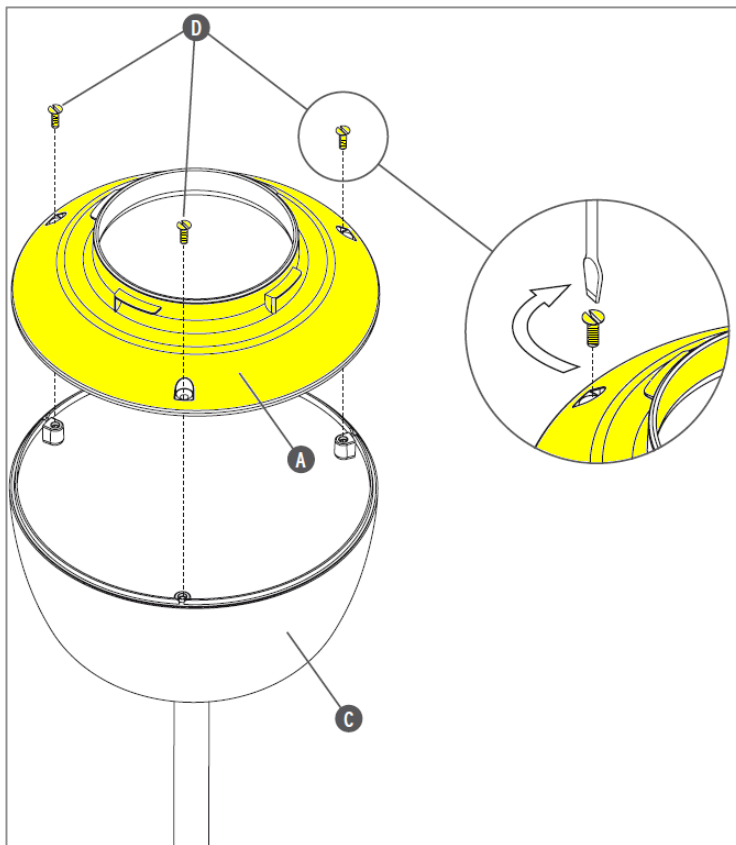

RF7750200

TATOU: F-S2 OPAL REFLECTOR

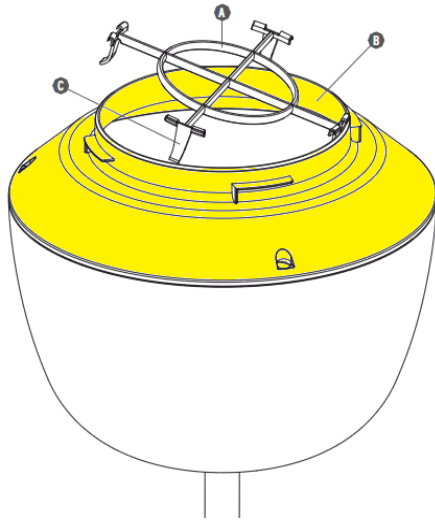


WARNING! When installing and whenever acting on the appliance, ensure that the power supply has been switched off. For the installation of the spare-part, it is necessary to consult a qualified electrician.

FOR TATOU F:



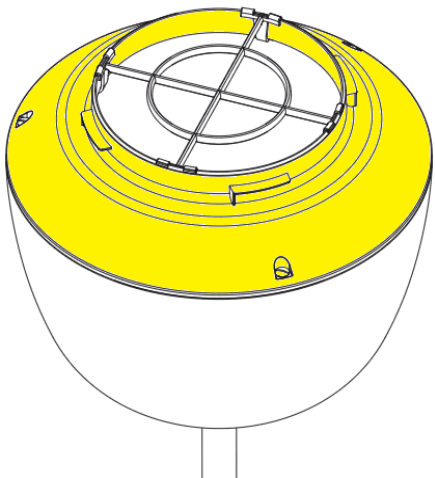
Assemble the reflector ring (A) onto the external diffuser (C) with the three screws (D) provided (utilize a flat screwdriver).

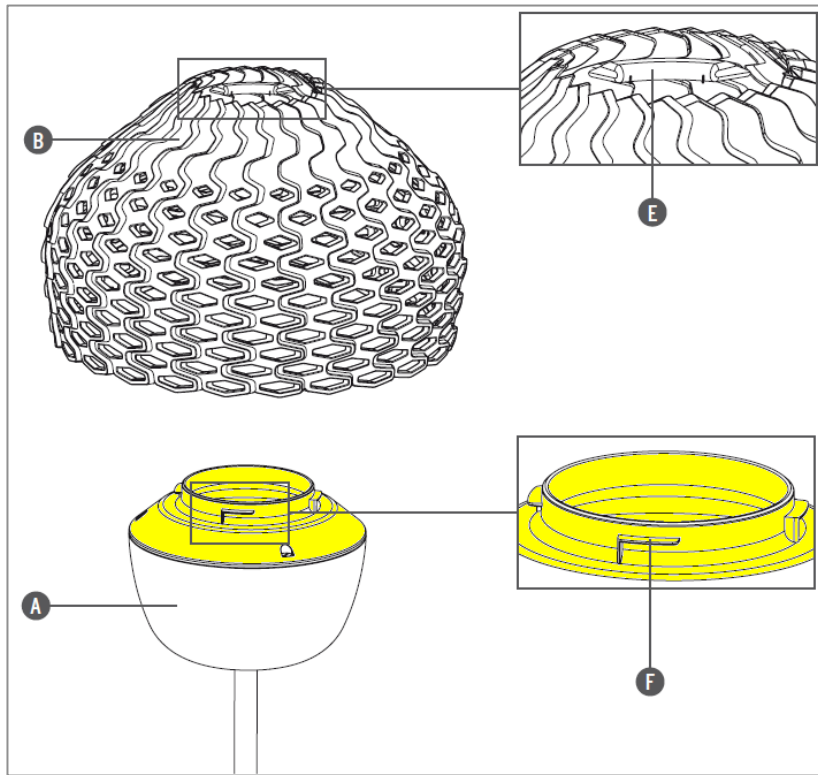


Insert the lamp bulb.

Apply the protective grid (A) to the diffuser (B) as follows: let two of the four guides (C) of the grid match with the internal rim of the top hole of the diffuser, then insert the remaining two guides by slightly bending the grid.

WARNING! The device must not function without the protection grid correctly assembled as shown in the image on the left hand side.



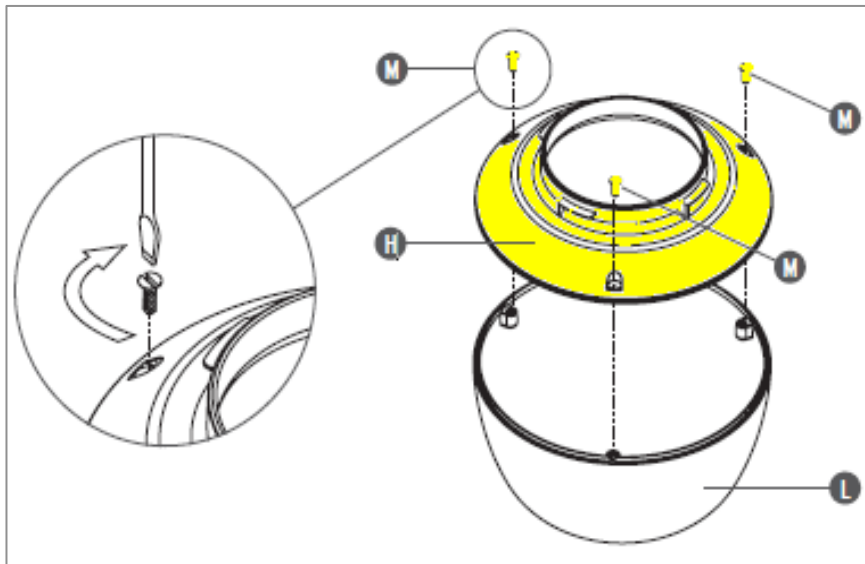


Insert the lamp bulb.

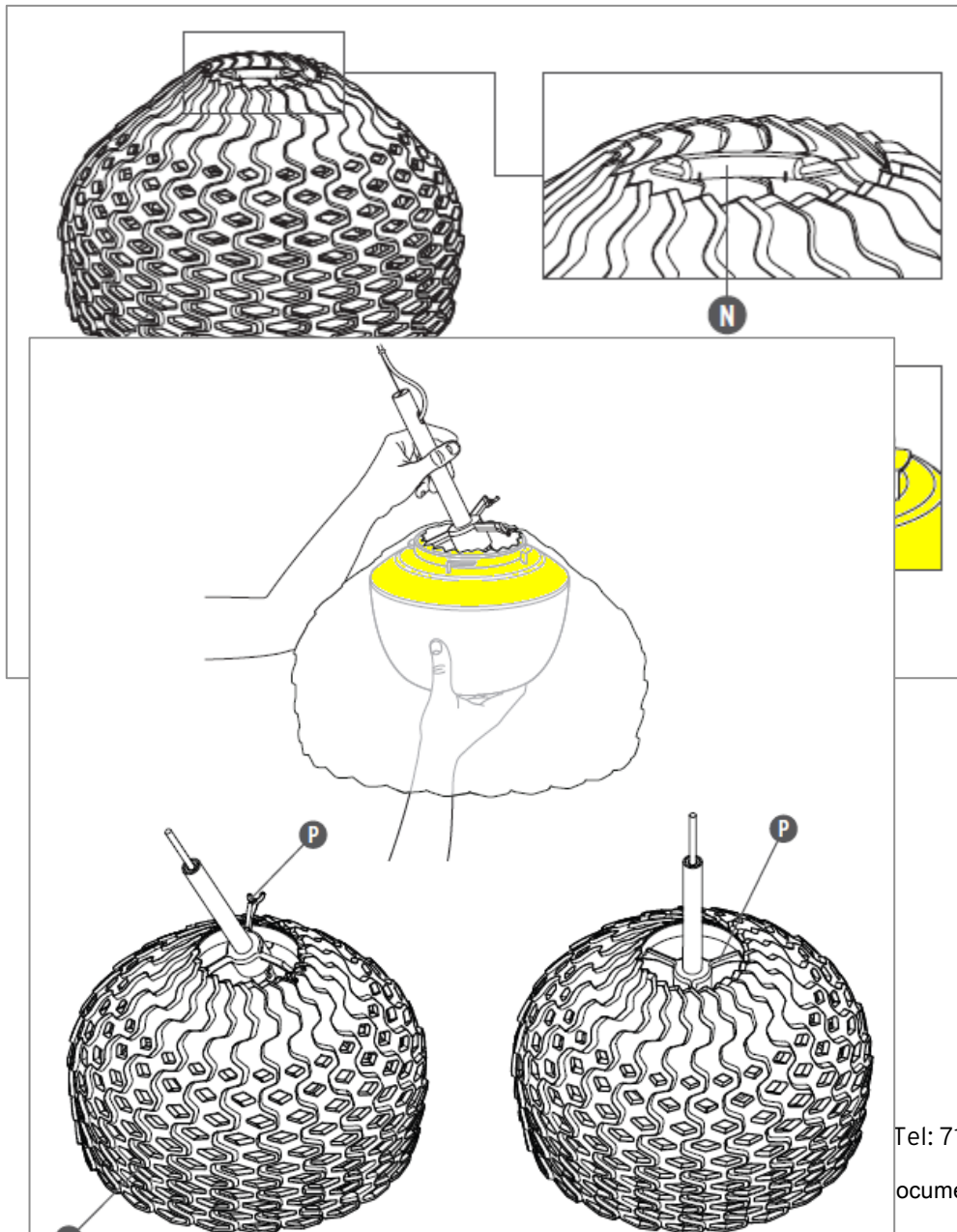
Assemble the external diffuser (B) onto the reflector ring (A) being careful to make the three hooks (F) present on the reflector ring (A) correspond with the relative housings (E) present on the external diffuser (B).

At this point, lock the external diffuser by rotating it slightly clockwise.

FOR TATOU S2:



Assemble the reflector ring (H) on the internal diffuser (L) by fastening the three screws (M). Please utilize flat blade screwdriver.



Assemble the external diffuser (I) onto the reflector ring (L) being careful to make the three hooks (O) present on the reflector ring (O) correspond with the relative housings (L) present on the external diffuser (I).

At this point, lock the external diffuser by rotating it slightly clockwise.

Fit the diffuser (I) onto the supports of the three arms (P), by tilting the supports as shown in the image, by inserting first the lamp-bulb and one arm through the lamp hole.