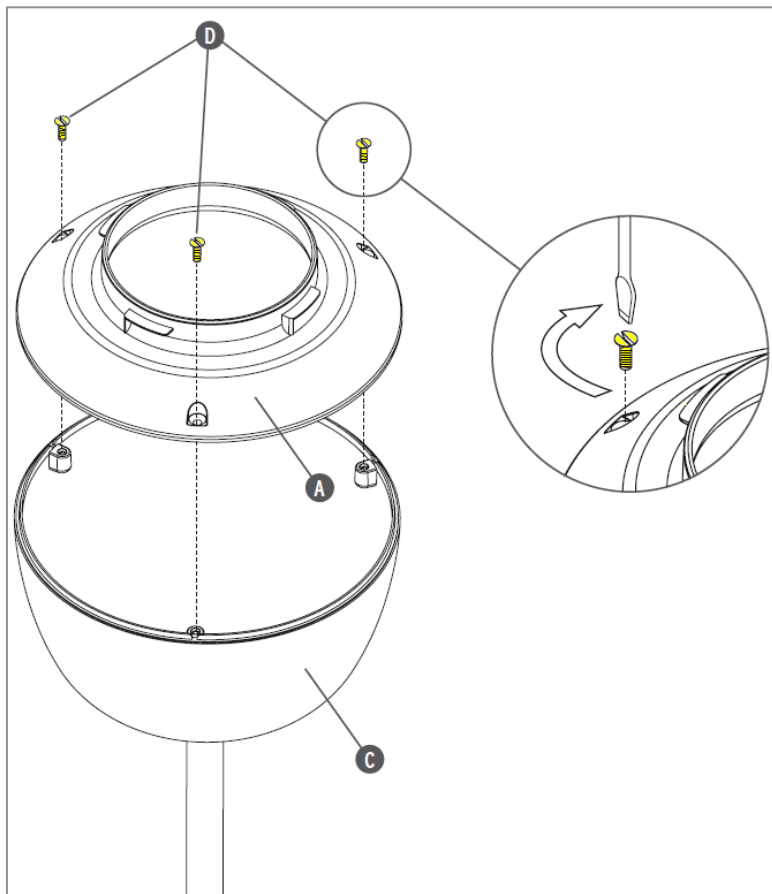

RF7751100

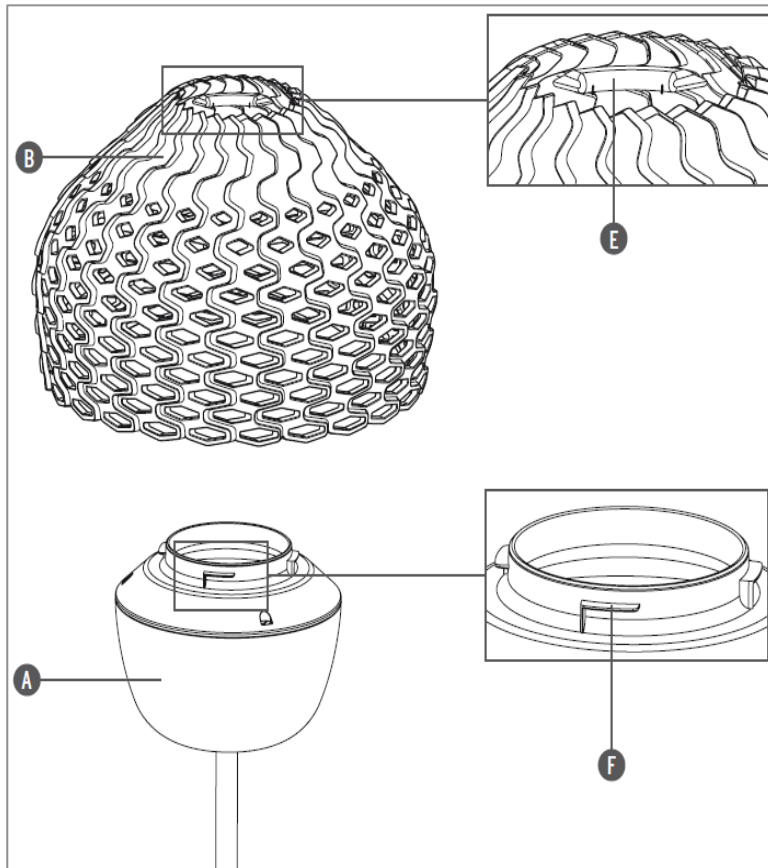
KIT WITH SCREWS FOR T1-S1 OPAL REFLECTOR ASSEMBLY



WARNING! When installing and whenever acting on the appliance, ensure that the power supply has been switched off. For the installation of the spare-part, it is necessary to consult a qualified electrician.



Assemble the reflector ring (A) onto the internal diffuser (C) with the three screws (D) provided (utilize a flat screwdriver).



Insert the lamp bulb.

Assemble the external diffuser (B) onto the reflector ring (A) being careful to make the three hooks (F) present on the reflector ring (A) correspond with the relative housings (E) present on the external diffuser (B).

At this point, lock the external diffuser by rotating it slightly clockwise.