

ELECTRIFIED FIXED LEGS



RF6630109



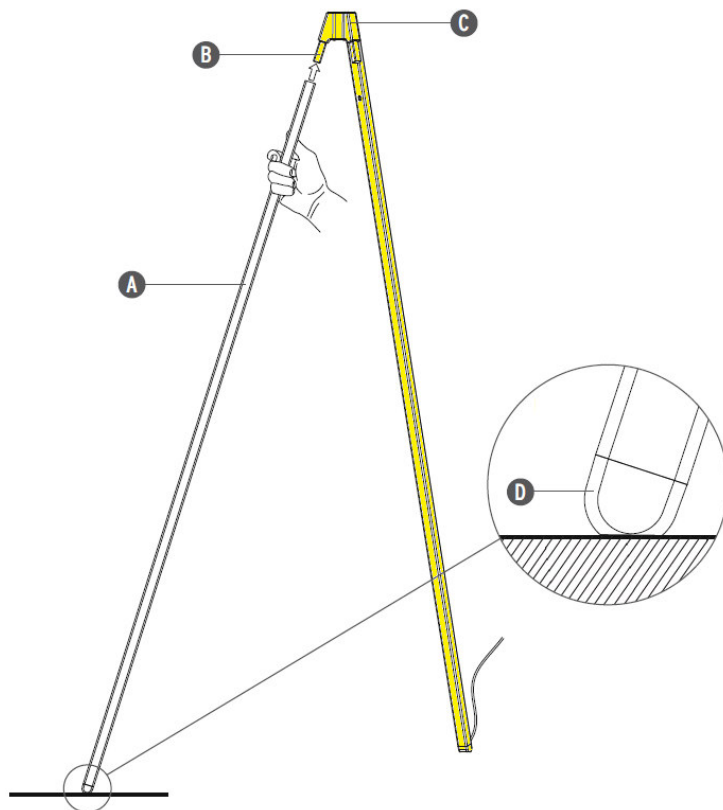
RF6630130



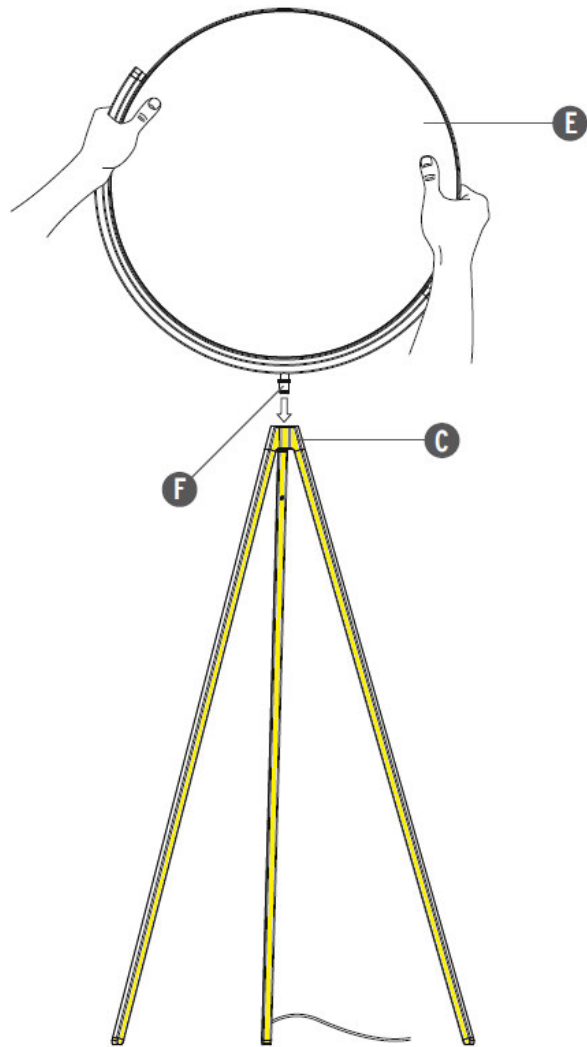
RF6630157

WARNING! When installing and whenever acting on the appliance, ensure that the power supply has been switched off.

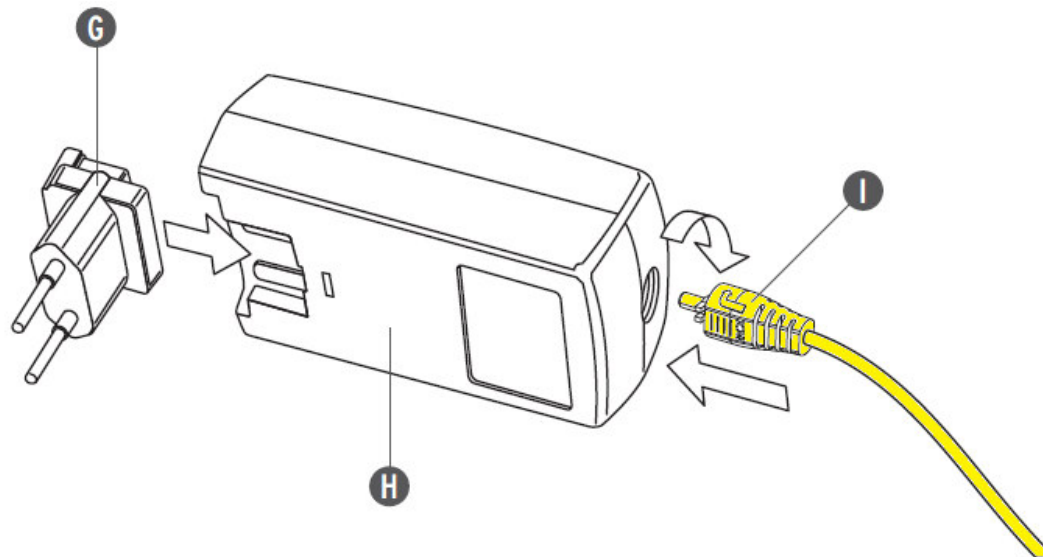
For the installation of the spare-part, it is necessary to consult a qualified electrician.



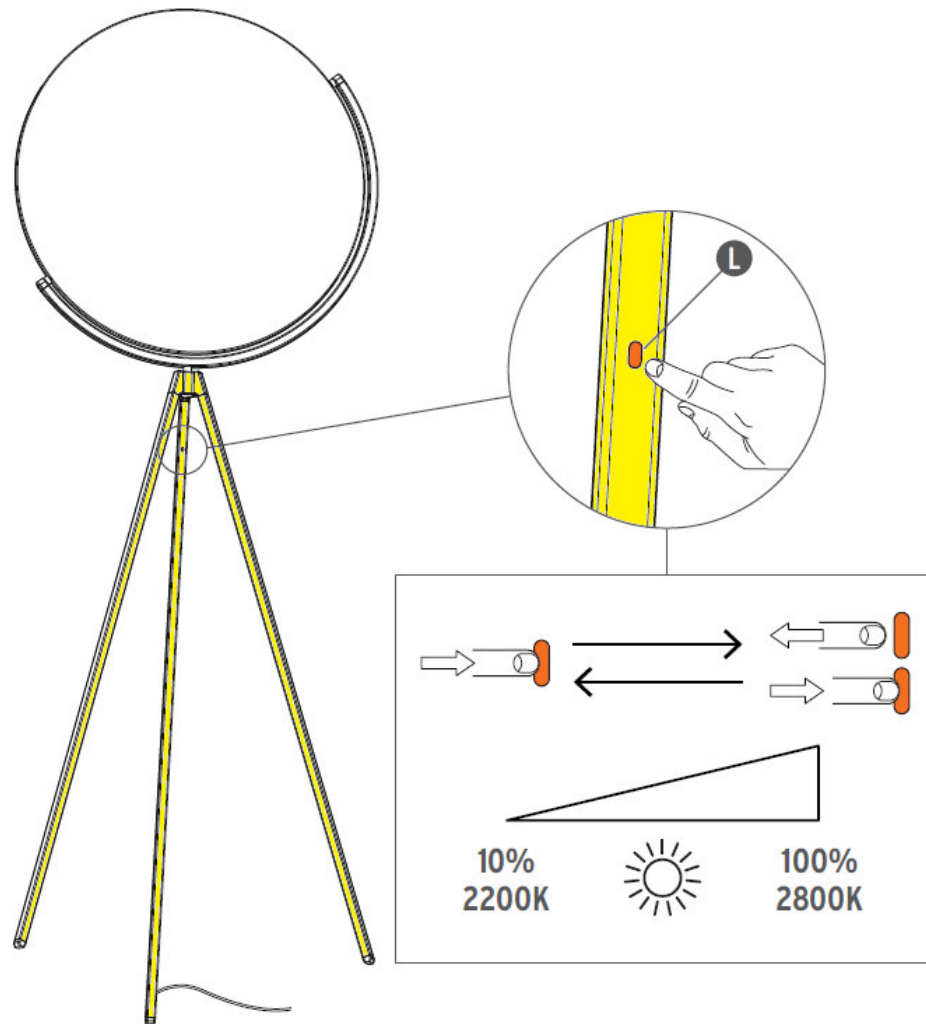
Insert the two legs (A) in the pins (B) of the base element (C) paying attention to the correct orientation of the feet (D).



Mount the diffuser head (E) inserting the pin (F) in the hole of the base element (C).



Connect the plug (I) to the feeder unit locking it in by rotating it 90° clockwise.



To switch on/off the device lightly touch the sensor (L); prolonged contact with the sensor causes the progressive increase of the light intensity from 10 up to 100 and at the same time an increase of the colour temperature from 2200K to 2800K; when the desired intensity is reached, remove finger from the button. A successive prolonged contact with the sensor will cause the progressive decrease. NOTE: Thanks to the card's memory, when the device is turned on from a wall switch, it comes on again at the same brightness level it was at when it was turned off. The brightness level (and corresponding colour temperature) is automatically activated by the LED card after at least 15 seconds' fixed operation (without making adjustments).