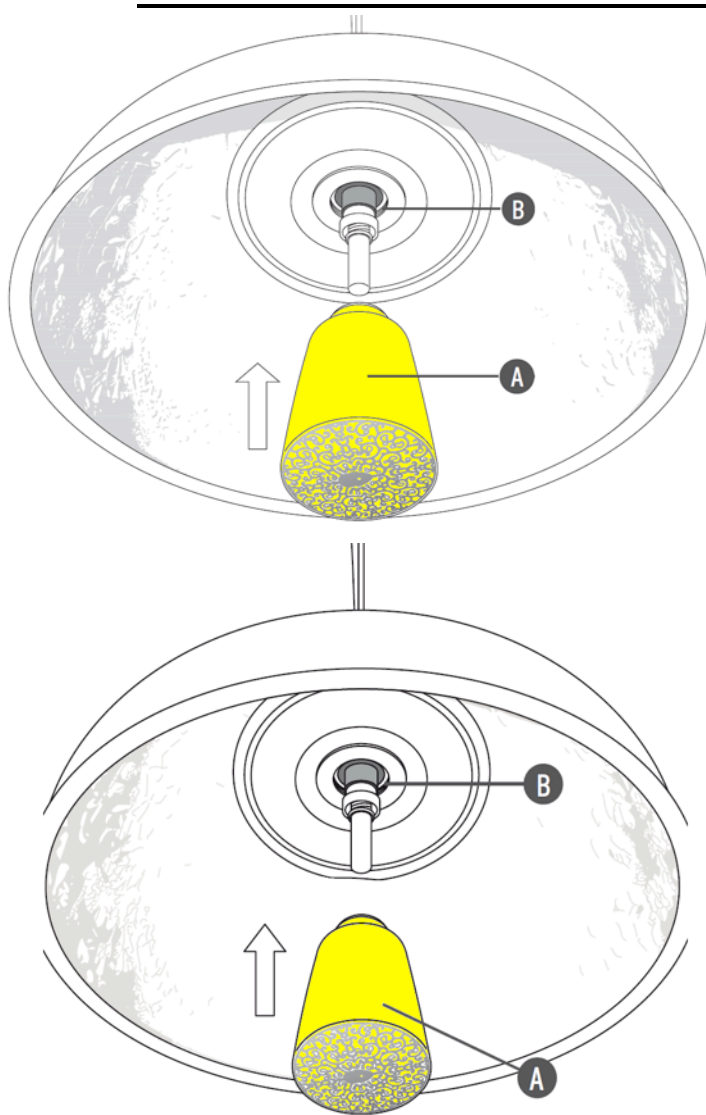


RF6420100

GLASS DIFFUSER ASSEMBLY



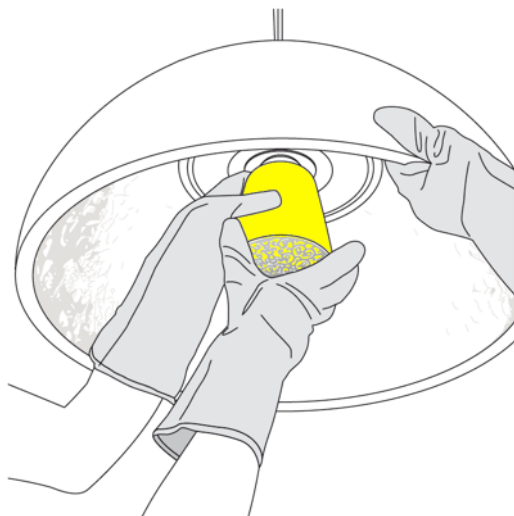


WARNING! When installing and whenever acting on the appliance, ensure that the power supply has been switched off. For the installation of the spare-part, it is necessary to consult a qualified electrician.

Install the lamp-bulb then assemble the diffuser (A) on the body by fastening it onto the appropriate threaded screw (B).

WARNING! Screw on the diffuser (A) by keeping it perpendicular to the threaded screw (B).

REMARK!!! Screw on the diffuser without forcing. Once reaching the end of the thread loosen slightly to make it easy for a future removal.



LAMP-BULB REPLACEMENT INSTRUCTIONS

Ensure that power has been turned off.

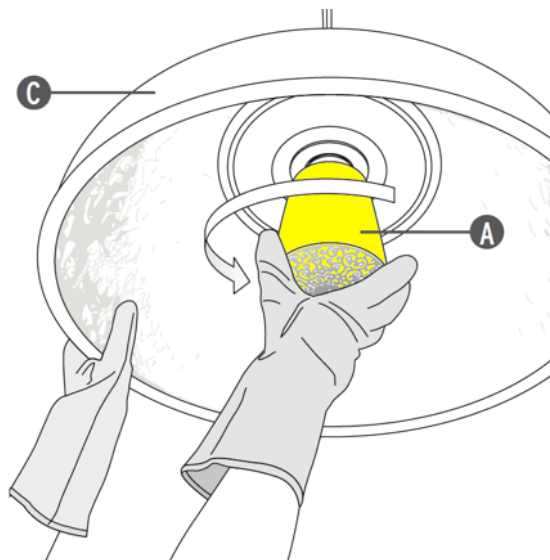
Check that the bulb is not too hot.

Wait 30 minutes with the bulb off before trying the procedure (the lamp bulb must be cold).

It is advisable to do this operation wearing clean gloves.

Keep the body lamp (C) firm with one hand and with the other hand remove the glass diffuser (A) by turning it anti-clockwise.

Should you encounter any problems with the removal of the diffuser ask another person to keep the body lamp firm and use both hands to remove the diffuser.



ISTRUZIONI PER LA SOSTITUZIONE DELLA LAMPADA

Assicurarsi che sia stata tolta la tensione di alimentazione.

Assicurarsi che la lampada non sia calda.

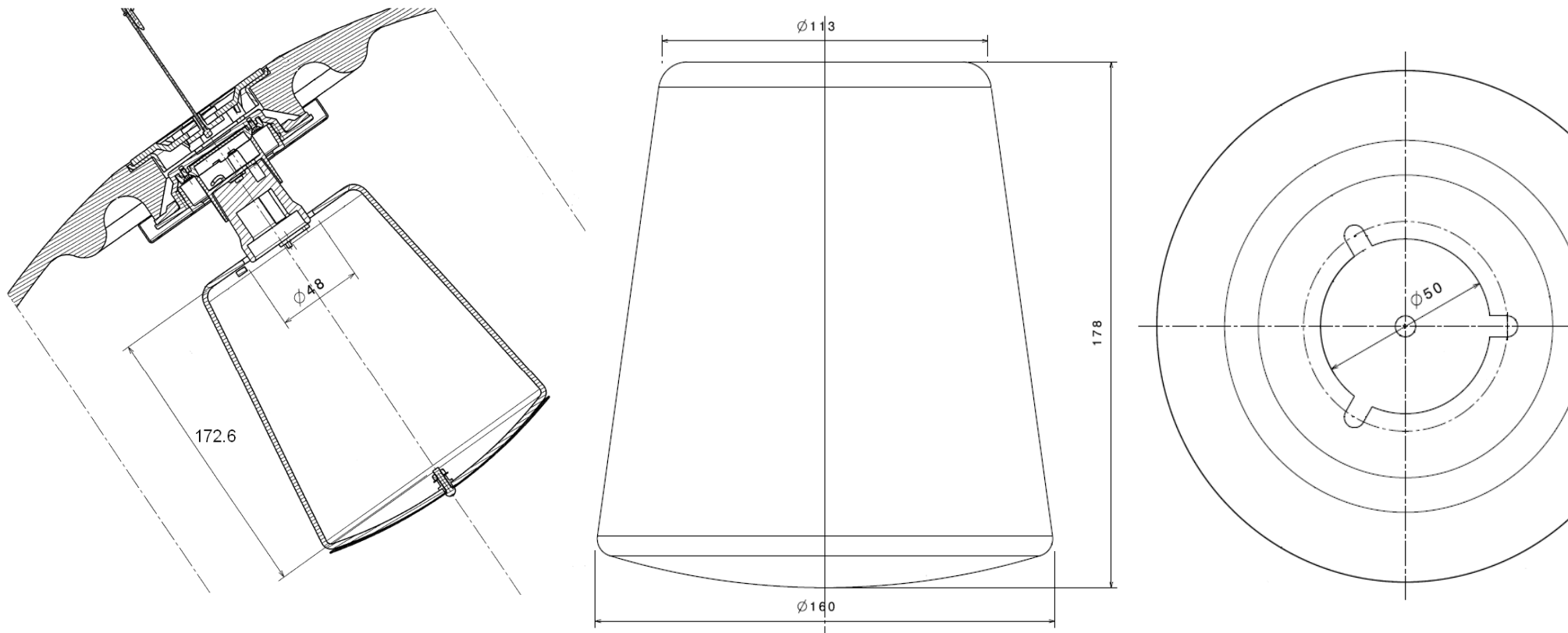
Attendere 30 minuti a lampada spenta prima di procedere alla sostituzione della lampada (la lampada deve essere fredda).

Si consiglia di effettuare l'operazione utilizzando dei guanti puliti.

Tenendo ben fermo con una mano il corpo lampada (C) rimuovere con l'altra mano il diffusore in vetro (A) ruotandolo in senso antiorario.

In caso riscontriate difficoltà a rimuovere il diffusore in vetro chiedete ad un'altra persona di aiutarvi a tenere fermo il corpo lampada in modo da utilizzare entrambe le mani per la rimozione del diffusore.

GLASS DIFFUSER ASSEMBLY DIMENSIONS



Attention!!! Dimensions in the present drawing are in mm.

FLOS U.S.A., Inc. 110 York Street, 5th Floor, Brooklyn, NY 11201 | Tel: 718-875-3472 | Email: e-shop@flosusa.com | <http://usa.flos.com>

This document is exclusive property of Flos S.p.A. and its affiliated companies.