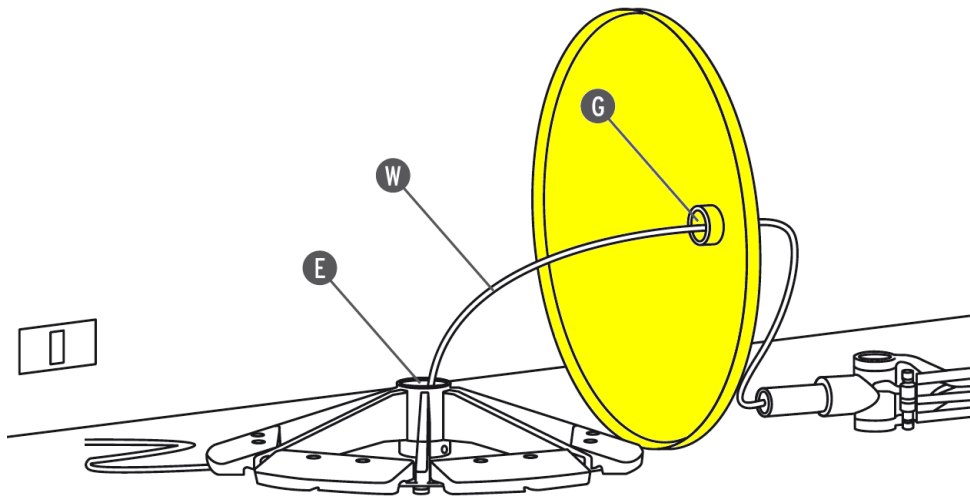

RF6372300

GREY BASE COVER

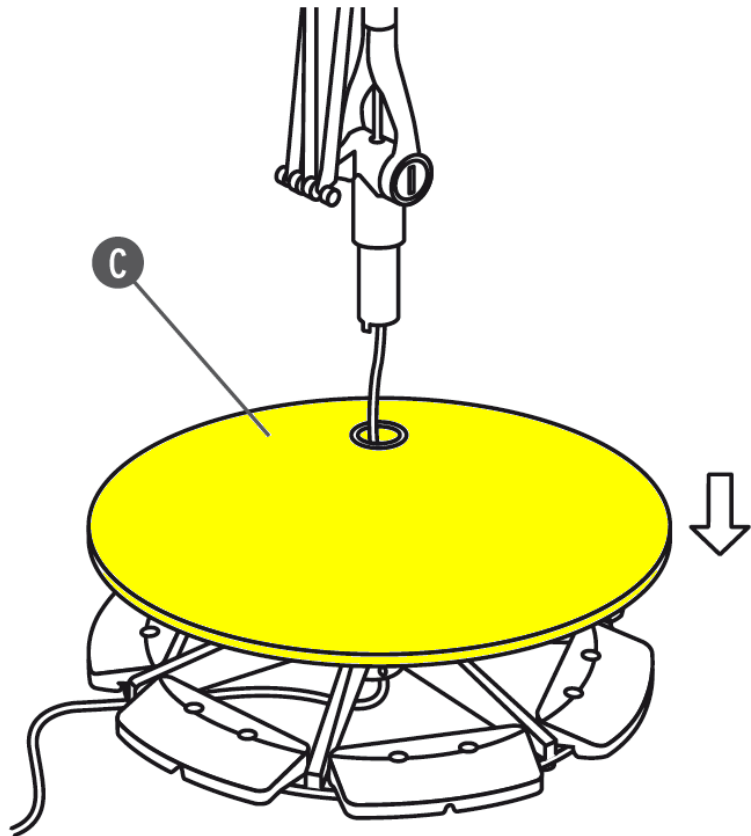


WARNING! When installing and whenever acting on the appliance, ensure that the power supply has been switched off.

For the installation of the spare-part, it is necessary to consult a qualified electrician.



Insert the feeding cable (W) into the base cover hole (G) and through the base hole (E).



Position the base cover (C) on top of the base.