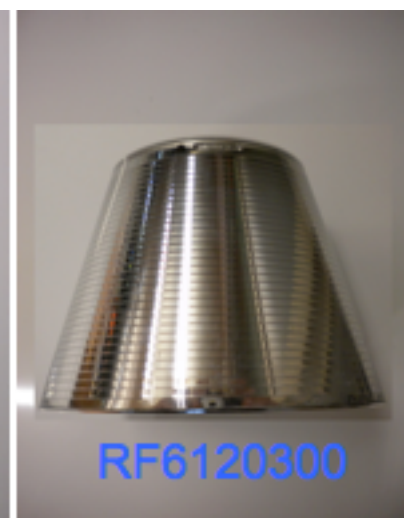
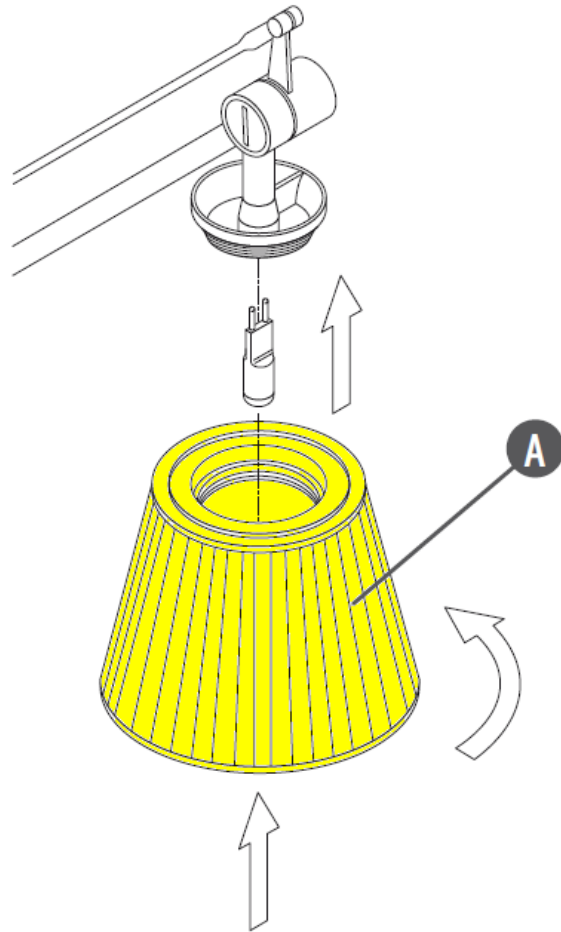


---

## SOFT & ARCHIMON K EXTERNAL DIFFUSERS



**WARNING!** When installing and whenever acting on the appliance, ensure that the power supply has been switched off.  
For the installation of the spare-part, it is necessary to consult a qualified electrician.



Screw on the diffuser (A) without forcing it.

**REMARKS!!!** Slightly loosen the diffuser (A) when it has reached the full extent of the screw thread. This will ensure that future removal will be easier.