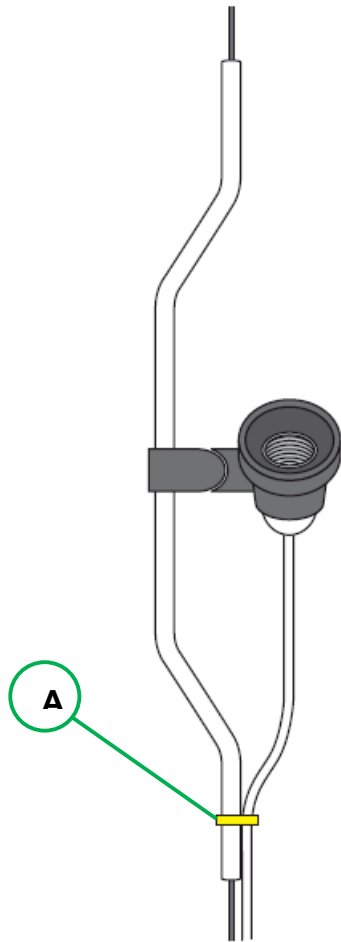

RF5600200

KIT WITH WIRE TIES AND SCREW



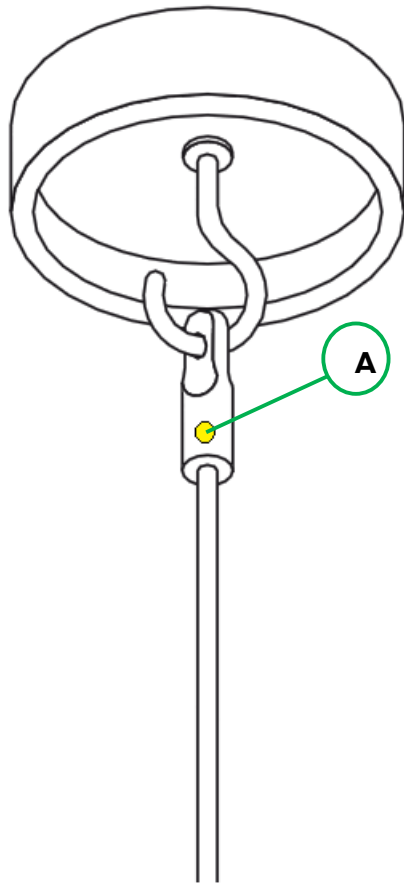
WIRE TIE INSTALLATION INSTRUCTIONS



WARNING! When installing and whenever acting on the appliance, ensure that the power supply has been switched off.
For the installation of the spare-part, it is necessary to consult a qualified electrician.

Install the wire tie (A) in a way that you keep together the electrical cable and tube.

SCREW INSTALLATION



WARNING! When installing and whenever acting on the appliance, ensure that the power supply has been switched off.
For the installation of the spare-part, it is necessary to consult a qualified electrician.

Fasten the screw (A) and slip the end of the steel cable on the hook.