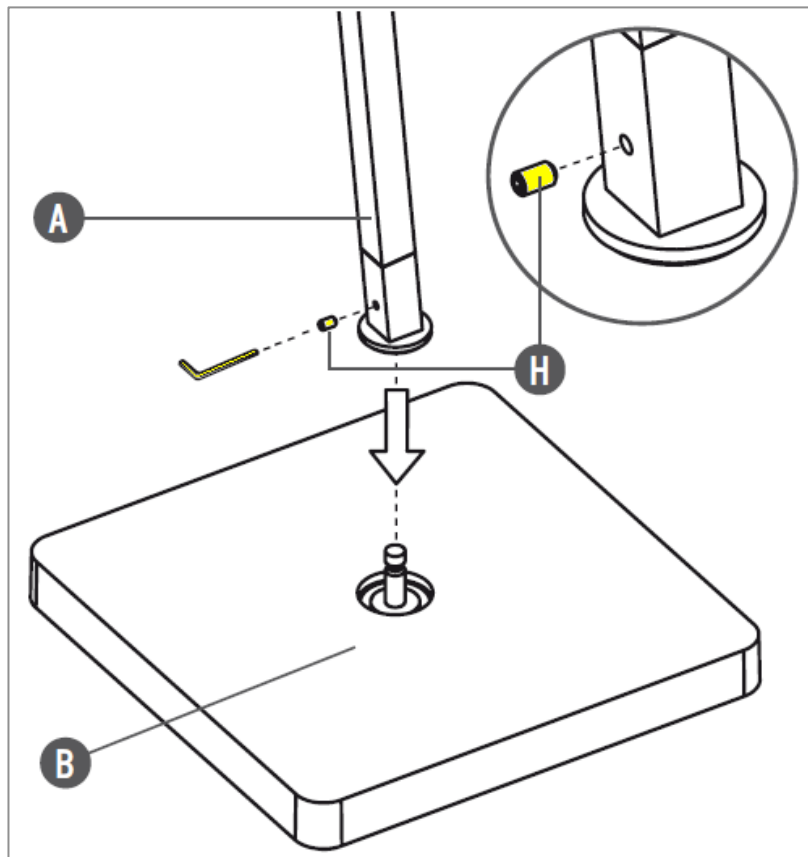


---

## RF3320300

KIT WITH SCREW AND ALLEN KEYS

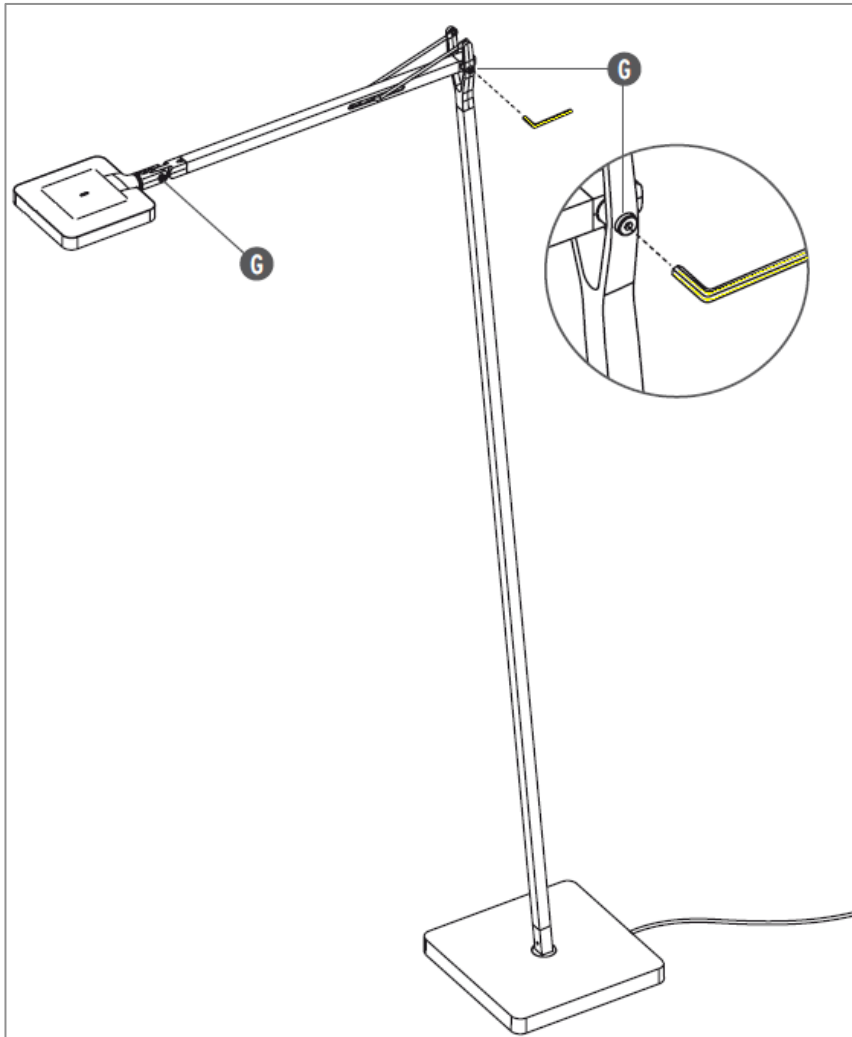




**WARNING!** When installing and whenever acting on the appliance, ensure that the power supply has been switched off.

Insert the device support (A) into the pin (B) of the base and fasten the safety pin screw (H) through Allen key hex 1,5mm.

**REMARK!** Be careful whilst tightening the safety pin screw to not scratch the base of the device.



To adjust the balancing and structure of the device it is necessary to tighten or loosen the screws (G) with the Allen key hex 3mm supplied with the spare-part packet.