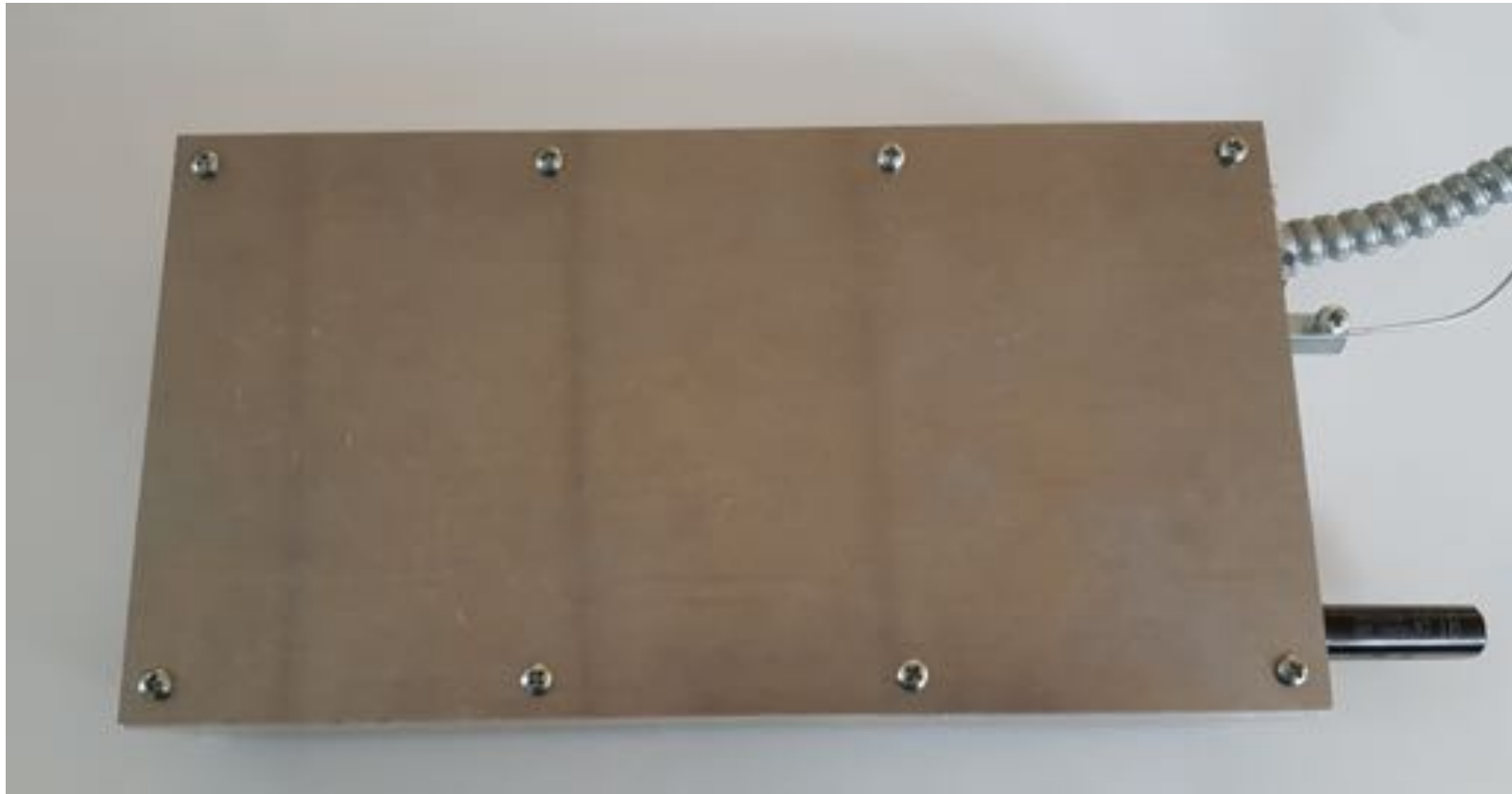


ARRANGEMENTS RECESSED POWER UNIT ASSEMBLY

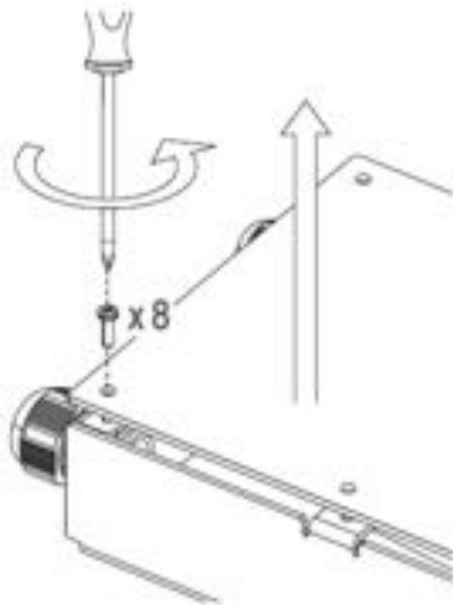


RF27616



WARNING! When installing and whenever acting on the appliance, ensure that the power supply has been switched off.

For the installation of the spare-part, it is necessary to consult a qualified electrician.



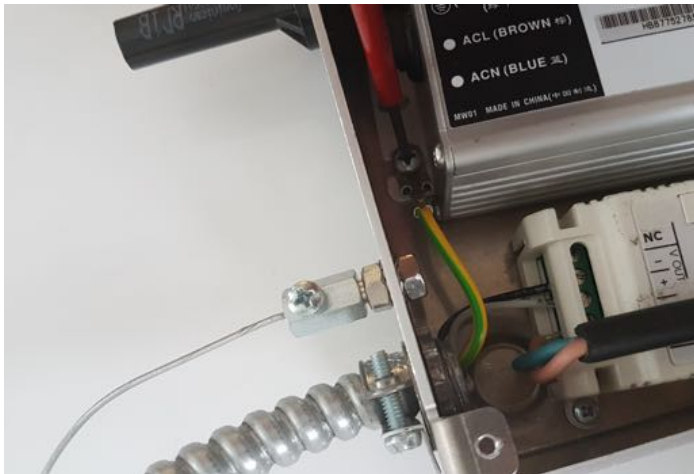
Remove the cover of the old power unit.

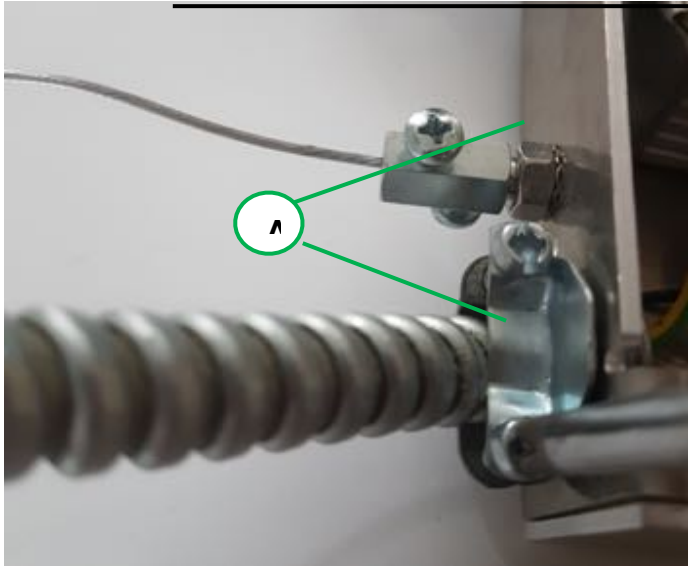
FLOS



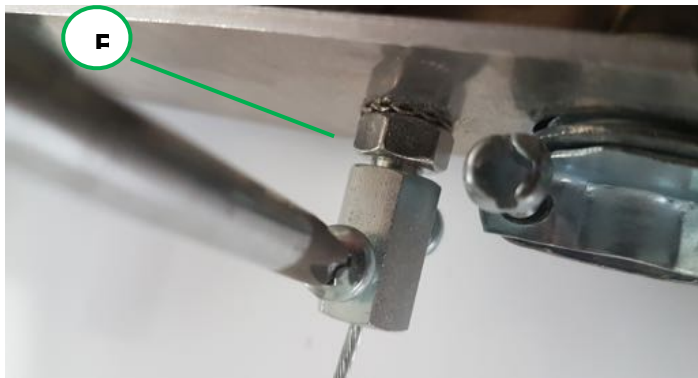
Disconnect the white wire and the black wire from the dimmer using a screwdriver.

Unscrew the field and disconnect the yellow/green cable.

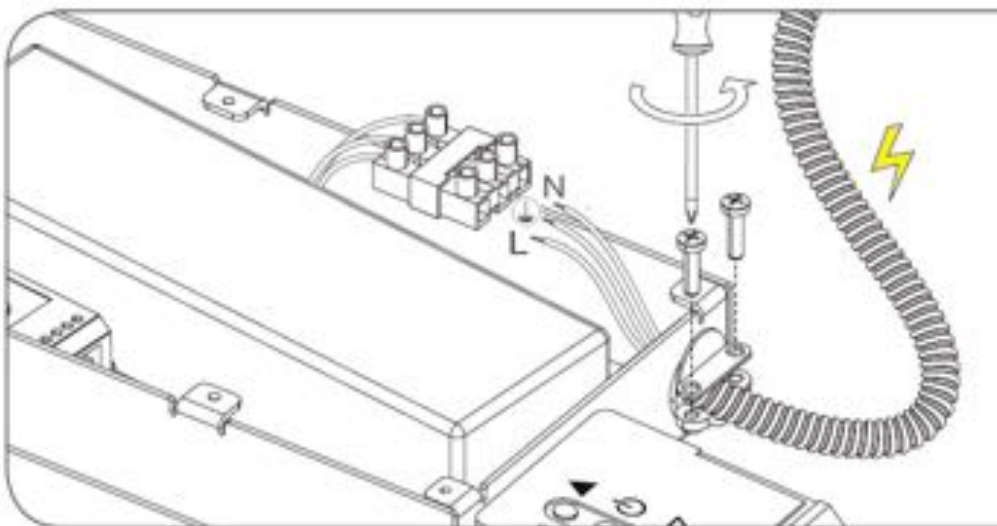




Unscrew the two screws (A) using a screwdriver.
Disconnect the metal tube and internal cables.



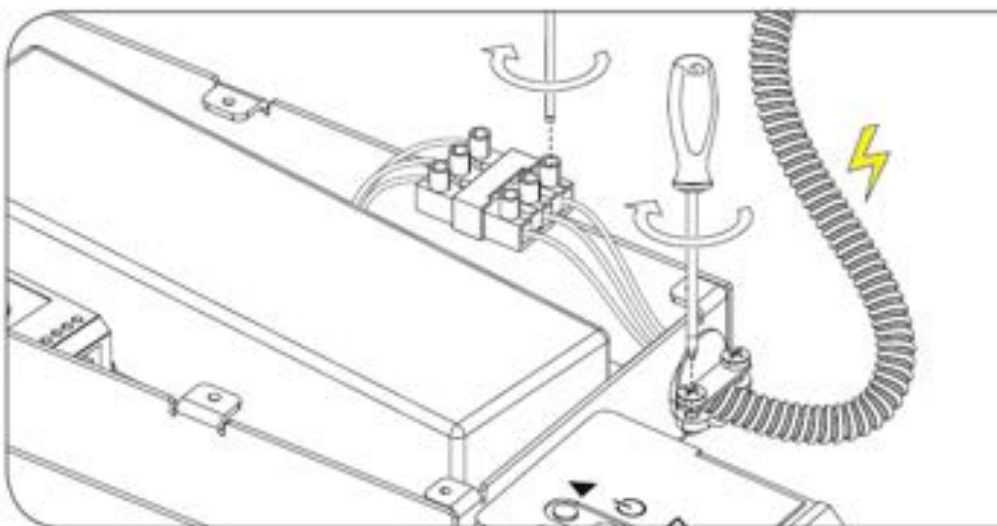
Unscrew the two screws (B) using a screwdriver.
Unthread the steel wire cable.



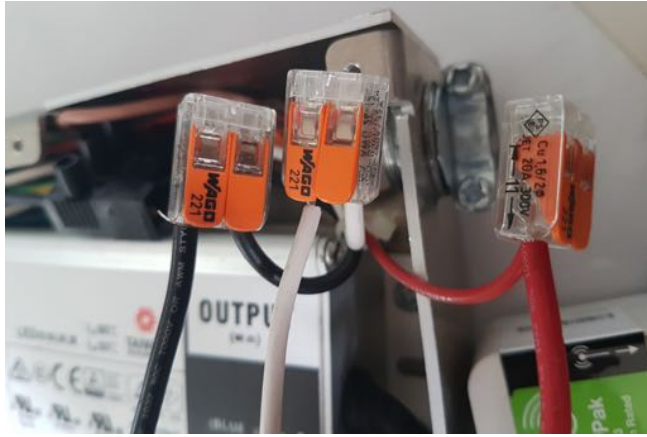
Disconnect the electrical wires from the pin using a screwdriver.

Unscrew the cable clamp.

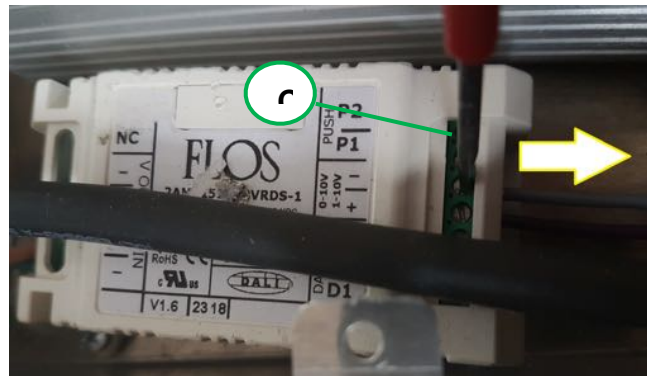
Unthread the electrical wires.



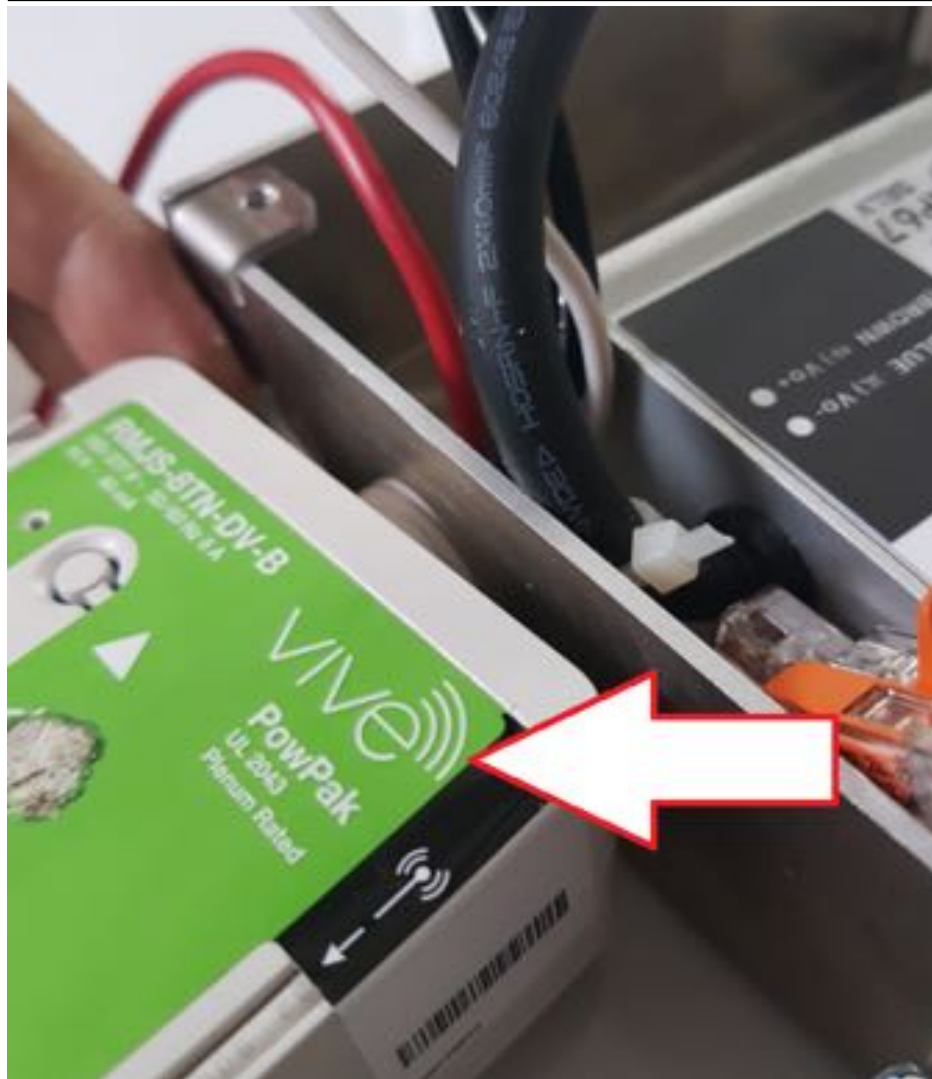
FLOS



Disconnect the black cable, the red cable and the white cable of the control unit from the terminal blocks.



Disconnect the wires from the dimmer (C) using a screwdriver.

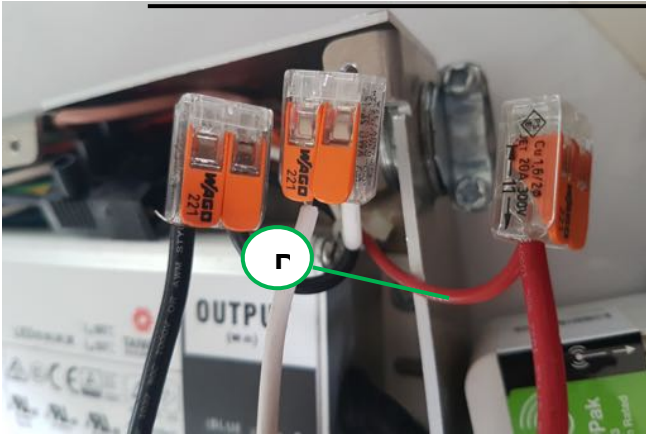


Remove the control unit from the power unit.



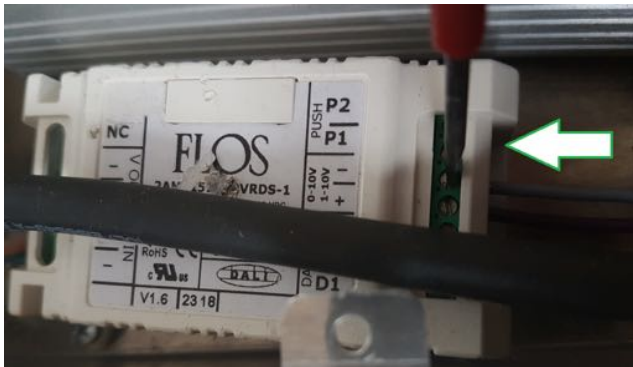
Connect the control unit to the new power unit.

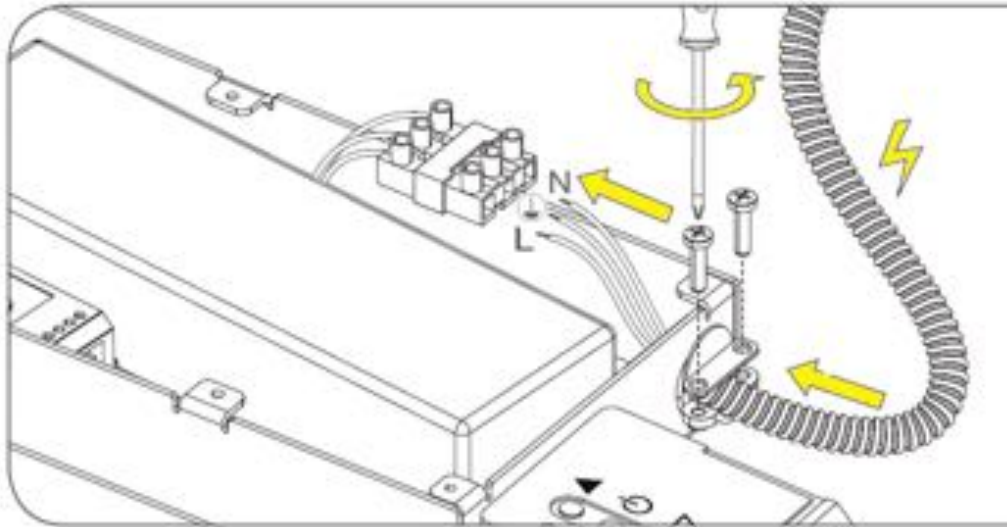
FLOS



Connect the black cable, the red cable and the white cable of the control unit to the terminal blocks.

Connect the wires to the dimmer using a screwdriver.

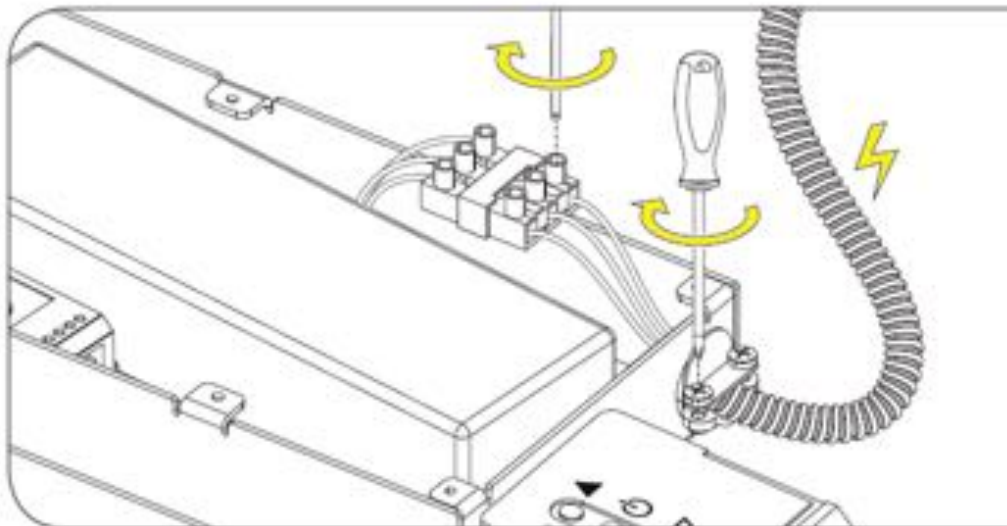




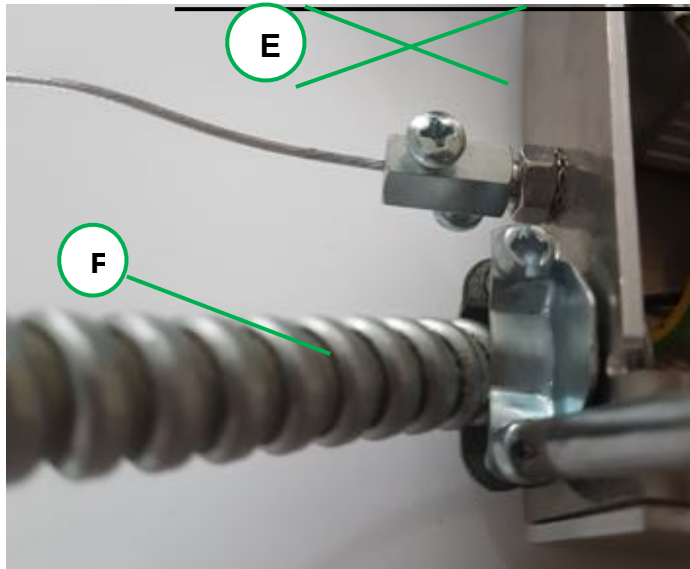
Unscrew the cable clamp of the new Power Unit.

Insert the electrical cable.

Screw the cable clamp.



Connect the electrical wires to the pin using a screwdriver.

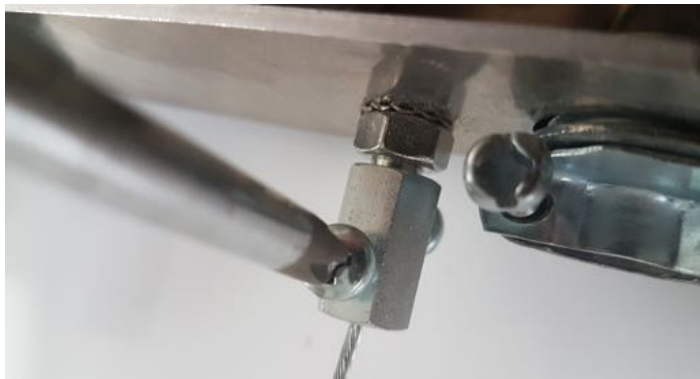


Insert the metal tube.

Fasten the two screws (E) using a screwdriver.

Insert the steel wire cable.

Fasten the two screws (F) using a screwdriver.

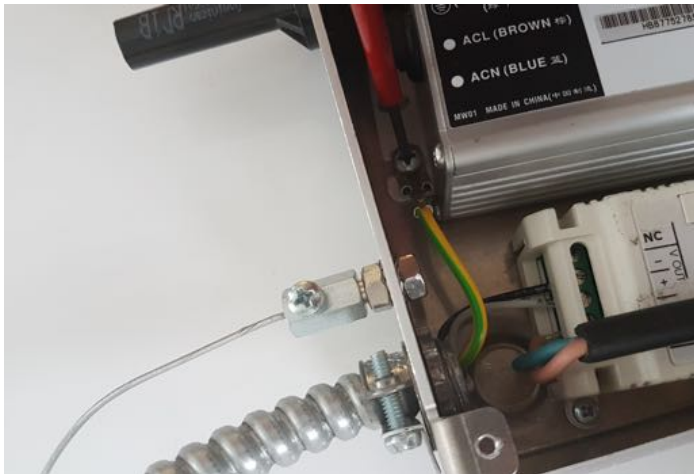


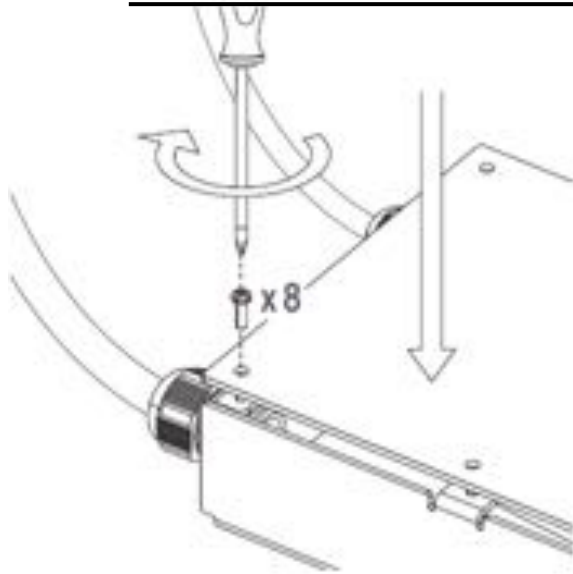
FLOS



Connect the white wire and the black wire to the dimmer using a screwdriver.

Screw the field and connect the yellow/green cable.





Place the cover on the ceiling
rose.

Fasten the screws

