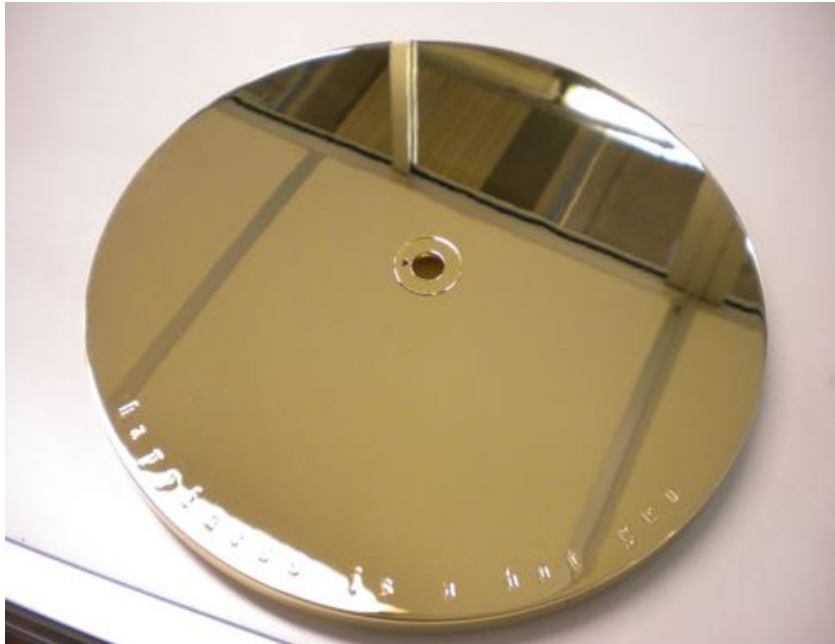
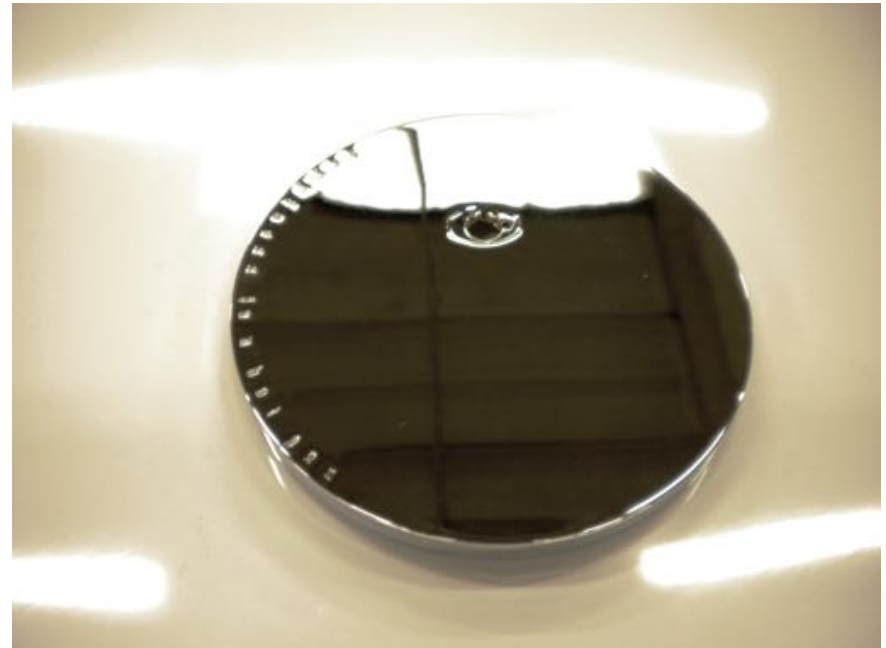

BASE ASSEMBLY



RF27102



RF27099

WARNING! When installing and whenever acting on the appliance, ensure that the power supply has been switched off. For the installation of the spare-part, it is necessary to consult a qualified electrician.



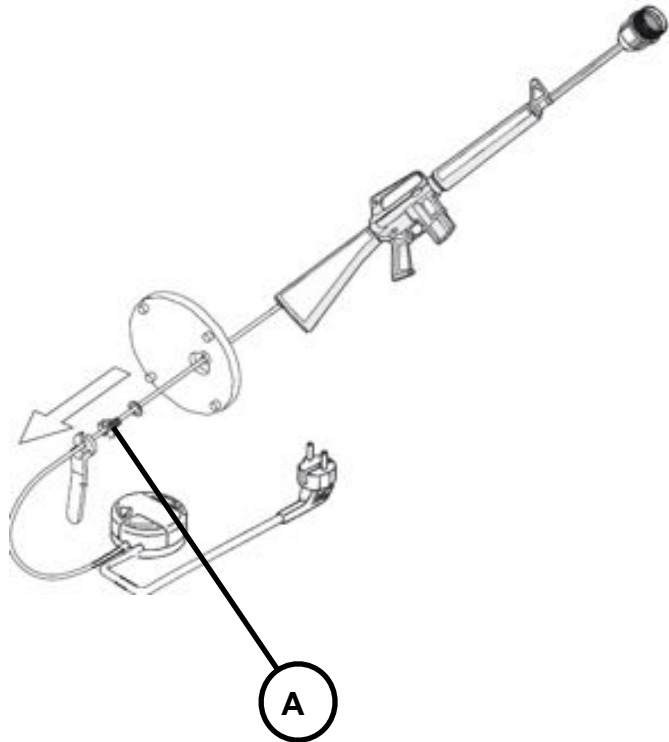
By utilizing a tiny flat screw driver, carefully push towards the inside, the side spring of the lampholder in a way to free the sleeve of the lampholder;



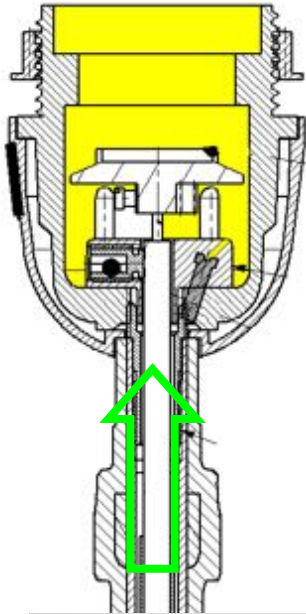


Unfasten the sleeve from the lampholder assembly;



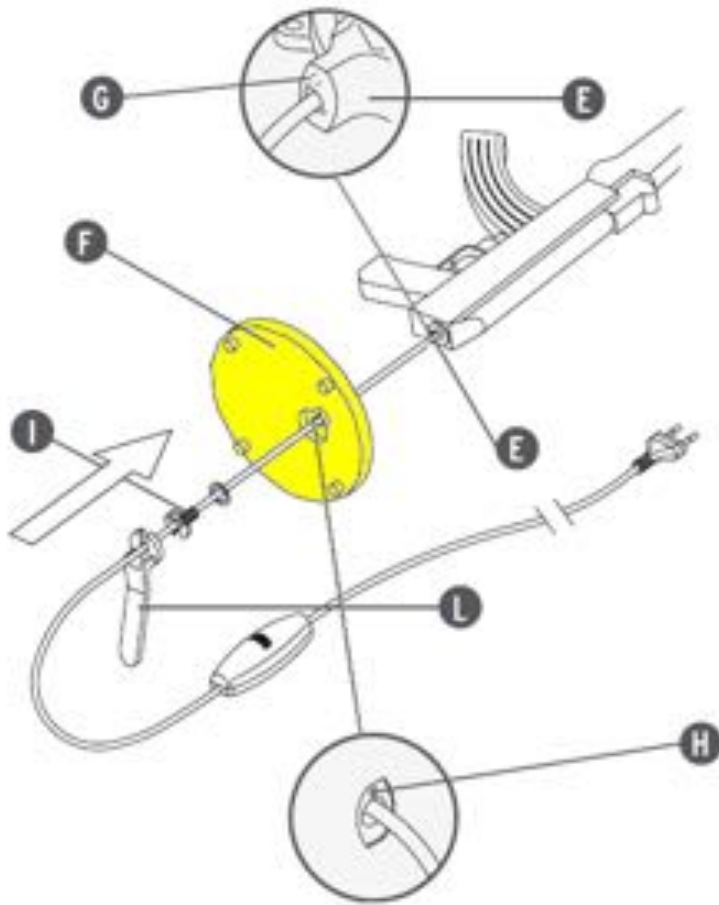


To free the electrical cable, unfasten the locking screw (A) from under the base;



Delicately pull-up the electrical cable to have access to the electrical terminal lampholder contacts;
Disconnect the wires and free the black lampholder support by unfastening the screw through a flat tiny screw driver;

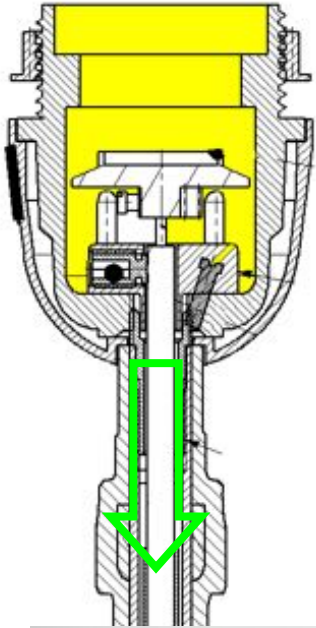




Slide out the electrical cable from the lamp structure (E), then from the damaged base (F) and from the washer and locking screw (I).

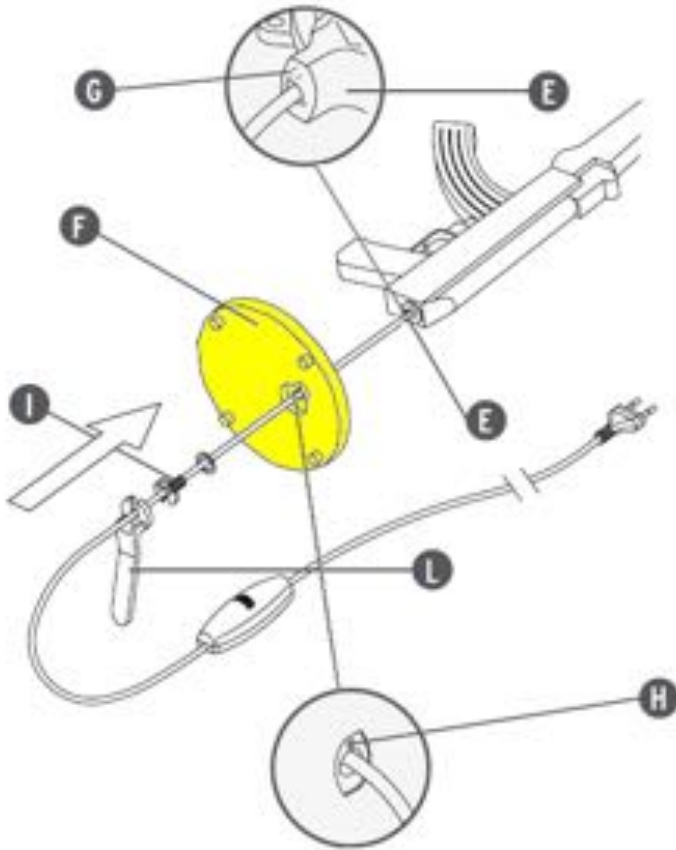
Assemble now the new spare part:

Slide the cable through the locking screw (I), then through the washer and then through the new base (F) and lamp structure (E).



Install the lamp holder support, connect the lampholder contacts, push down the electrical cable, fasten back the lampholder sleeve, push back in position the lateral spring.





Assemble the lamp base to the lamp structure by fastening the locking screw (I).