

## WIRERING ELECTRICAL MOUNTING BODY ASSEMBLY



**RF26649**



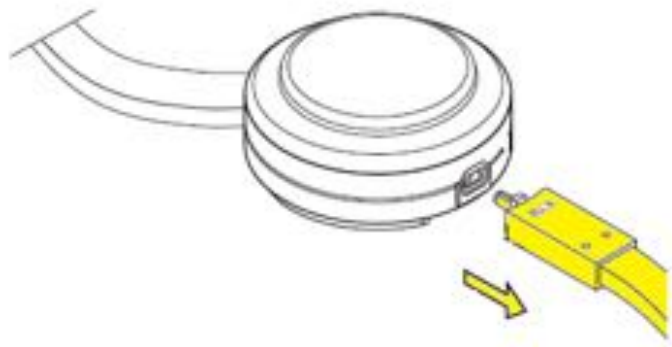
**RF26650**



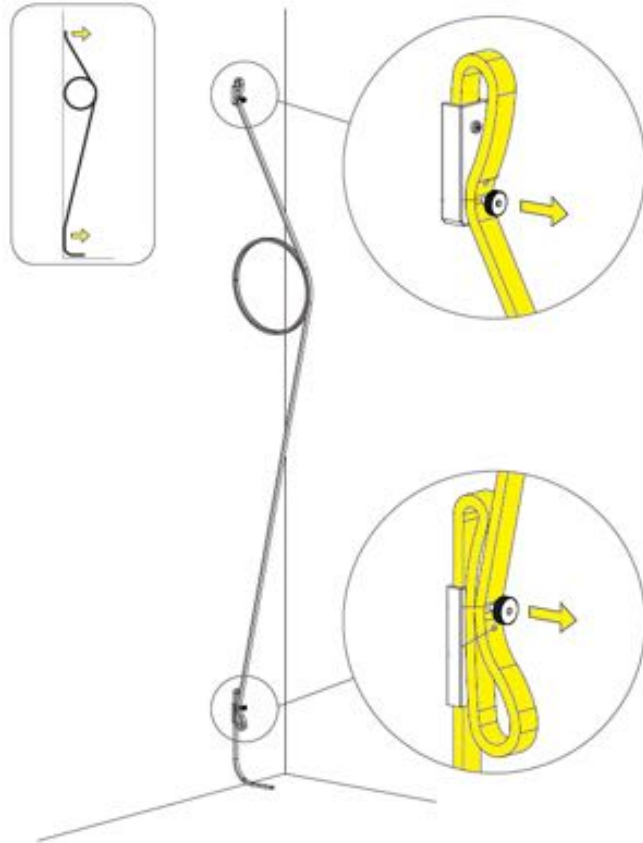
**RF26651**

---

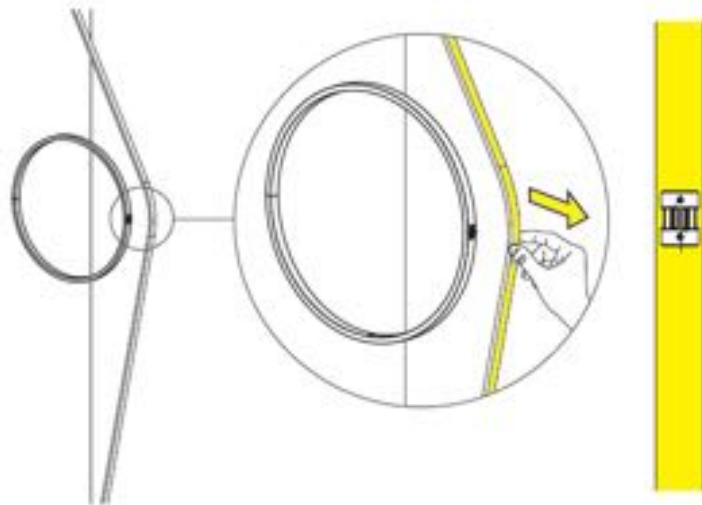
**WARNING!** When installing and whenever acting on the appliance, ensure that the power supply has been switched off. For the installation of the spare-part, it is necessary to consult a qualified electrician.



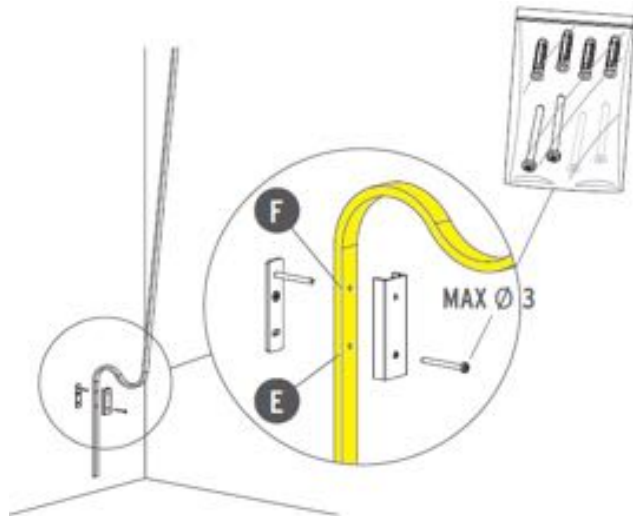
Disconnect the plug of the old body lamp from the dimmer unit by rotating it 90° counterclockwise.



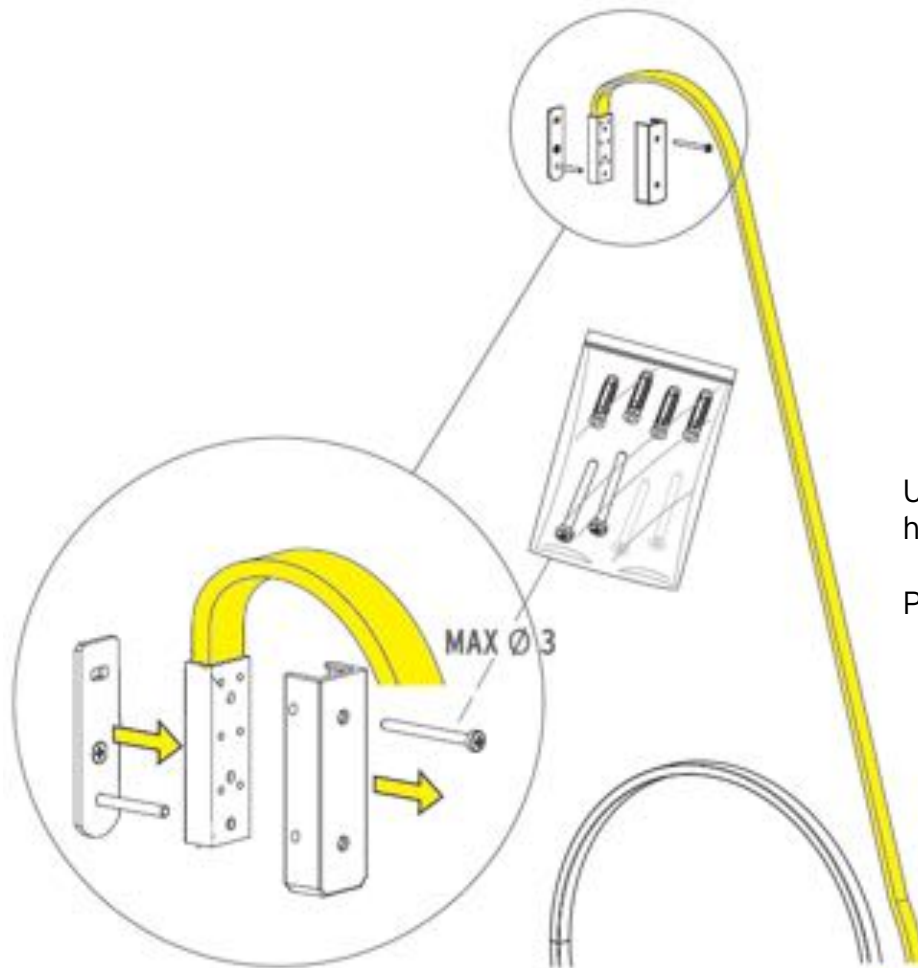
Unscrew and remove the ferrule.



Disconnect the body lamp by the ring.

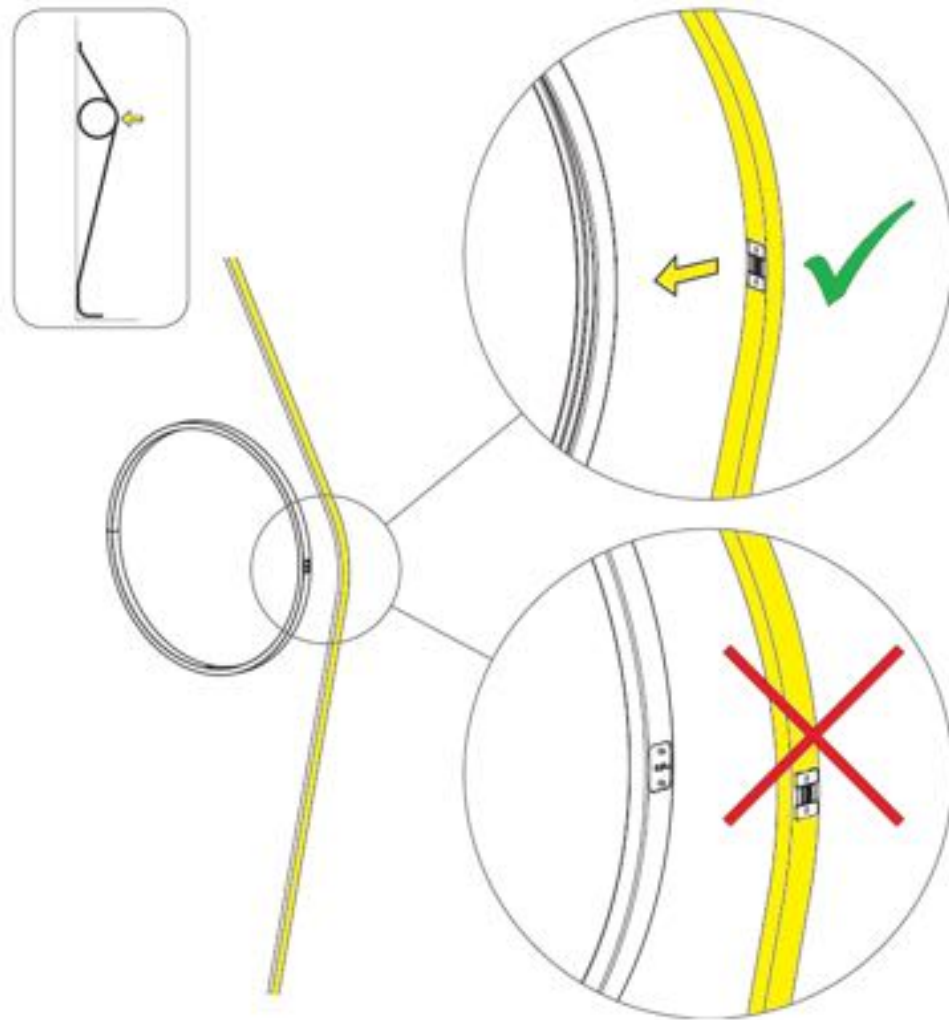


Unfasten the screws and remove the cover of the lower joint.

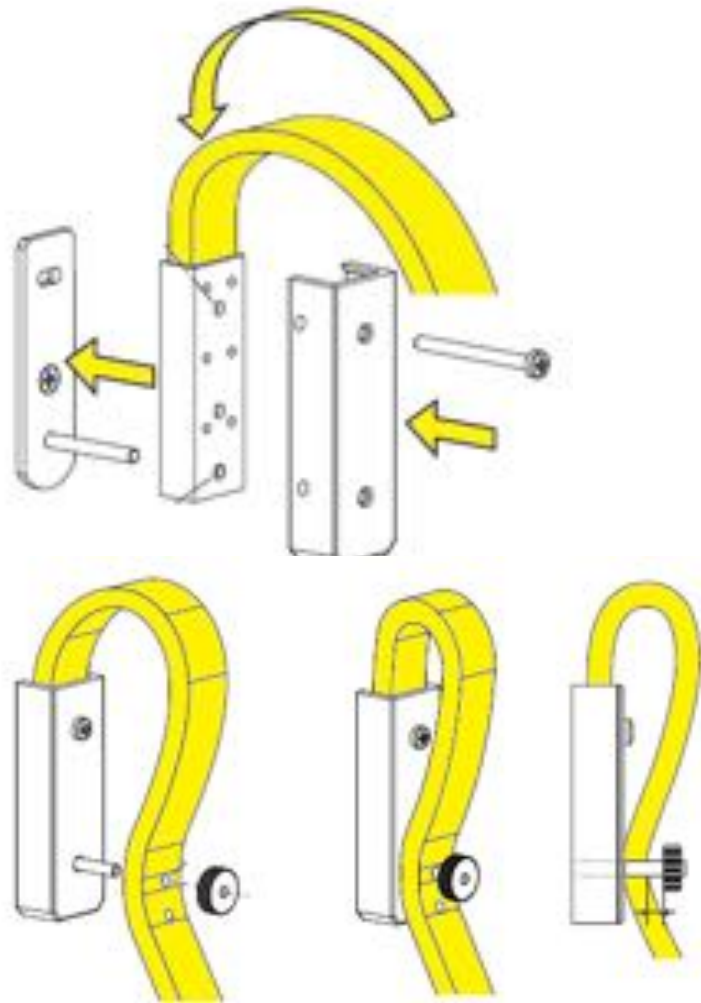


Unfasten the screws and remove the cover of the higher joint.

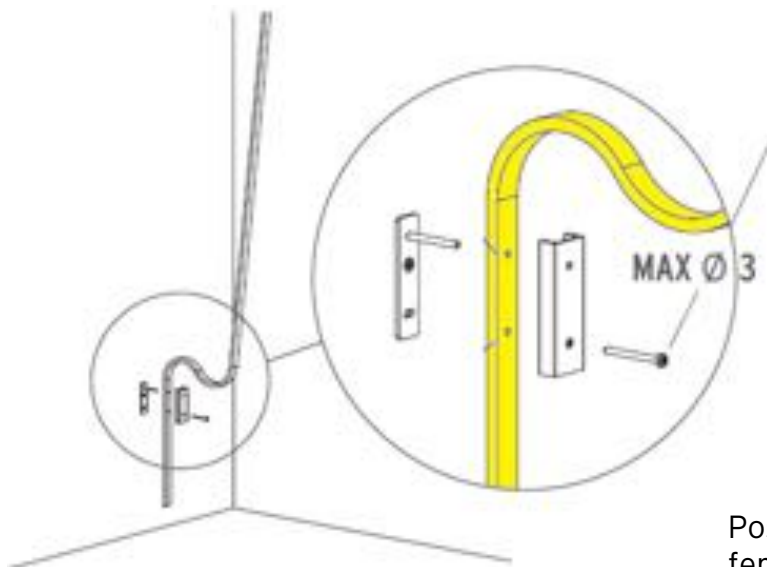
Pull the old cable out.



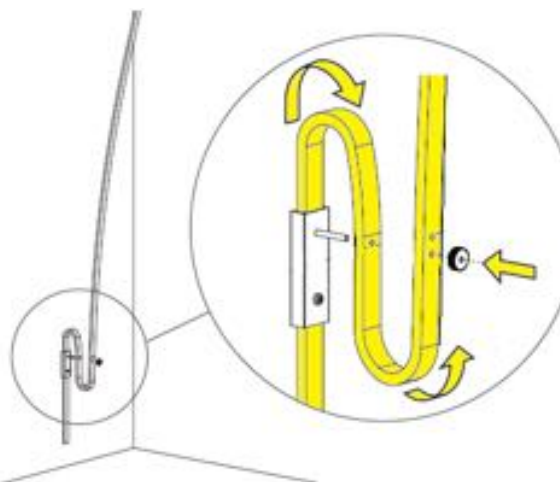
Connect the new body lamp to the ring respecting the correct installation direction.



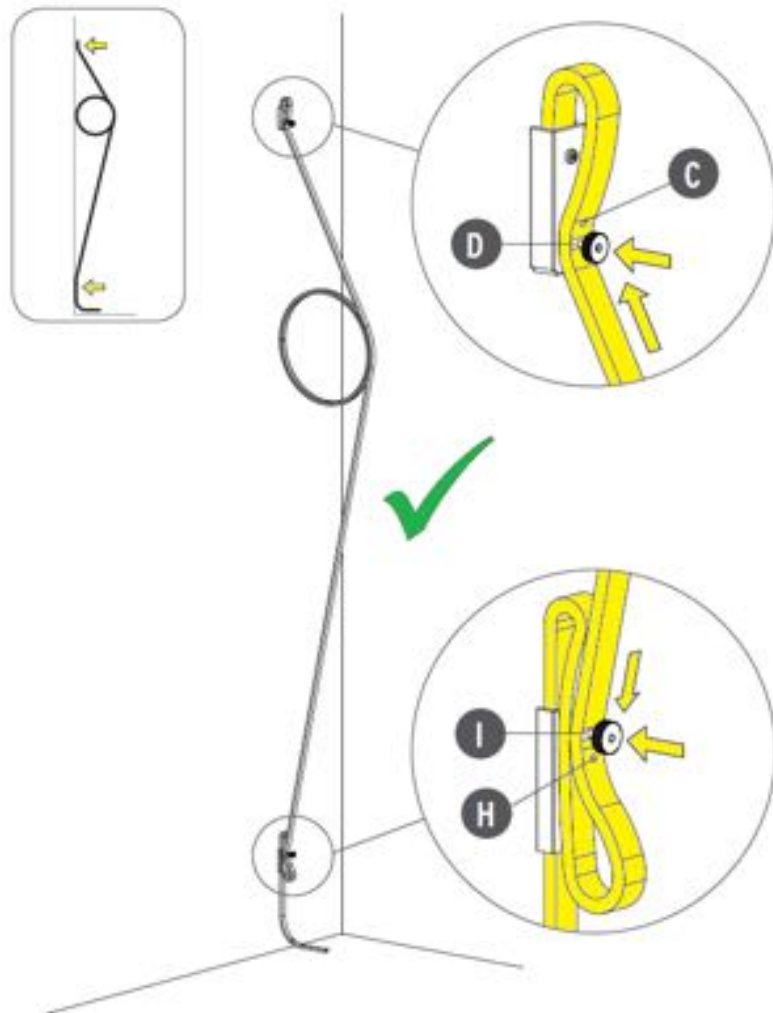
Insert the new body lamp. Fasten the screws, connect the ferrule and fix the cover of the higher joint.



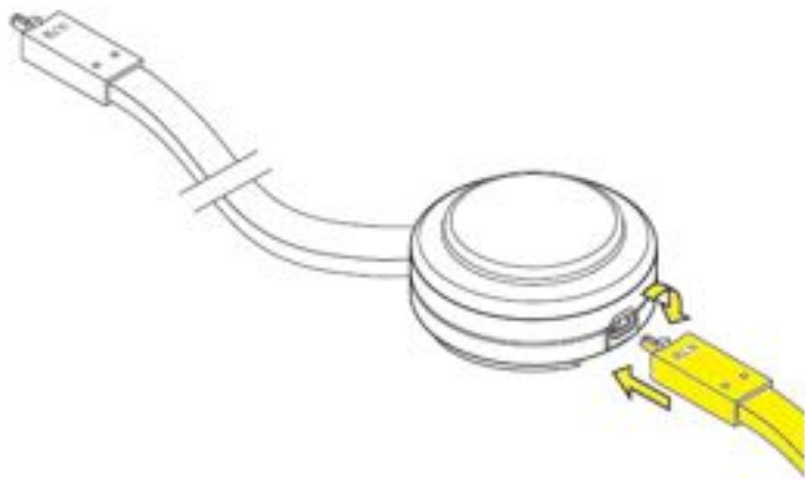
Position the new body lamp. Fasten the screws, connect the ferrule and fix the cover of the lower joint.







ADJUSTING THE CABLE TENSION: Pull the cable out of hole (C) then thread it through the pin (D) so as to increase its tension, then tighten the ferrule. If necessary, do the same at the bottom, moving the cable from hole (H) to hole (I); then tighten the ferrule.



Connect the plug of the new body lamp to the dimmer unit by rotating it 90° clockwise.