
RF2410200 / 04721

LAMPHOLDER ASSEMBLY

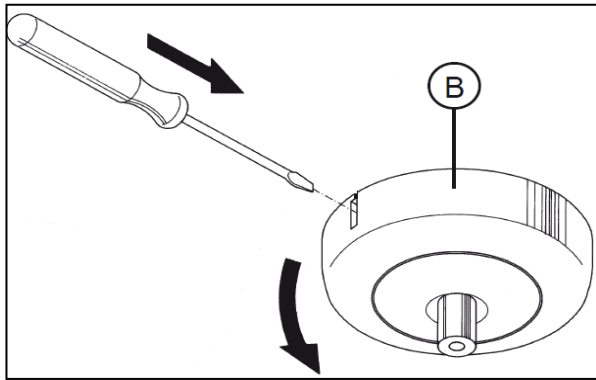


RF2410200

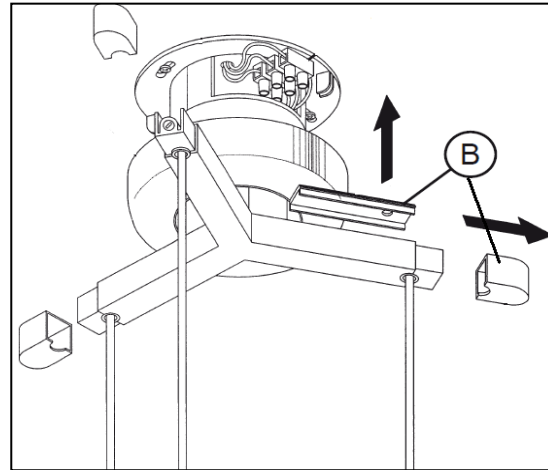
LAMPHOLDER ASSEMBLY USA VERSION
WITH 16.40' FEET ELECTRICAL CABLE

04721

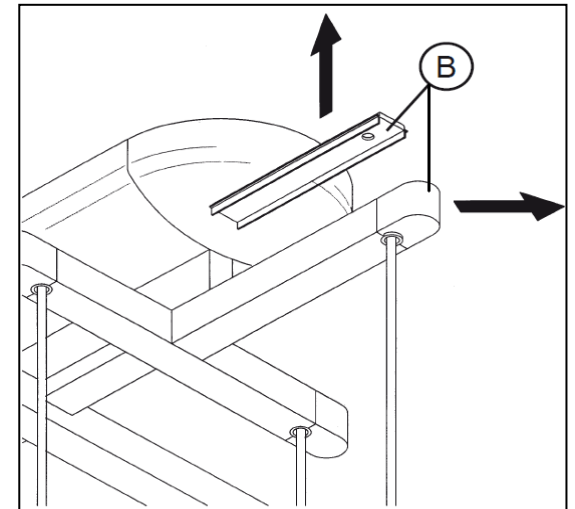
LAMPHOLDER ASSEMBLY UL VERSION
WITH 16.40' FEET ELECTRICAL CABLE



FUCSIA 1



FUCSIA 3

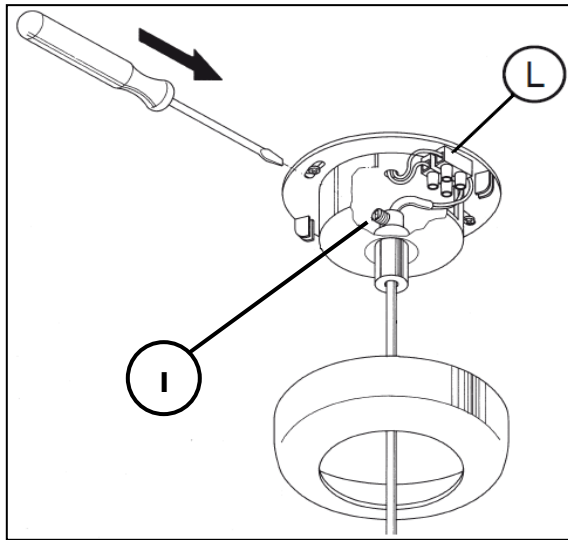


FUCSIA 8/12

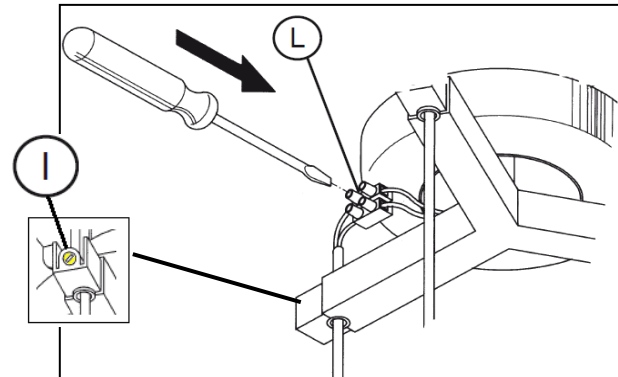
WARNING! When installing and whenever acting on the appliance, ensure that the power supply has been switched off.

For the installation of the spare-part, it is necessary to consult a qualified electrician.

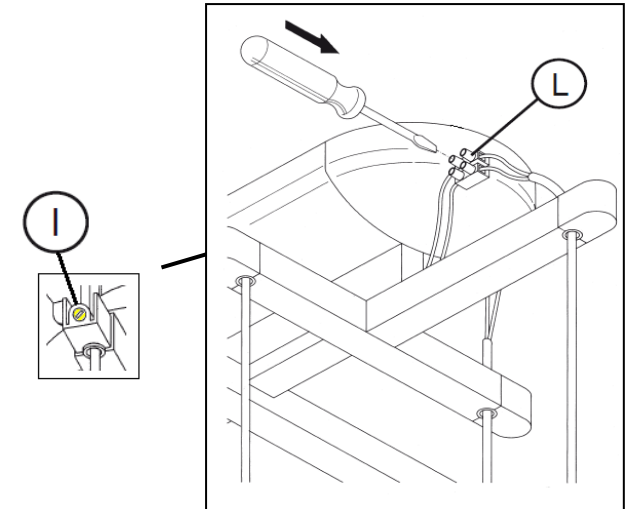
Remove from the ceiling rose, the cover (B).



FUCSIA 1

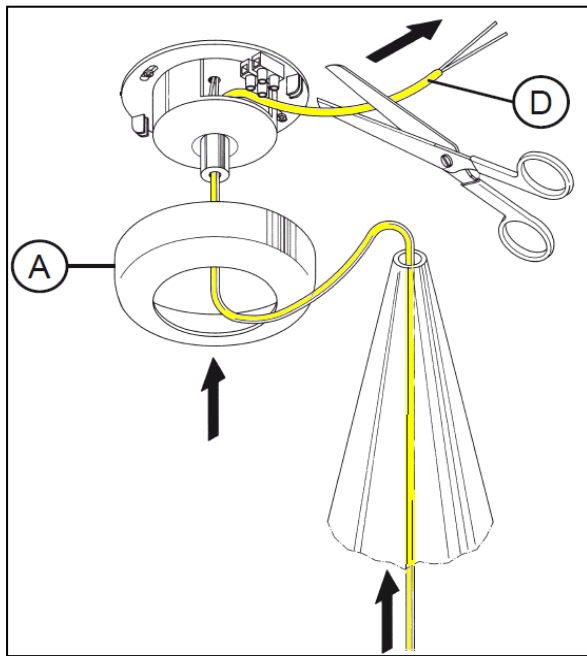


FUCSIA 3

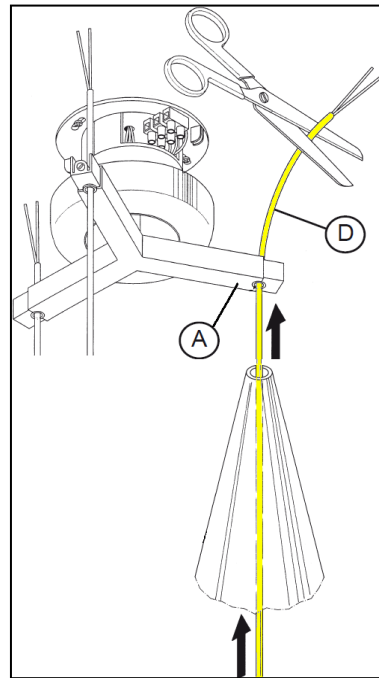


FUCSIA 8/12

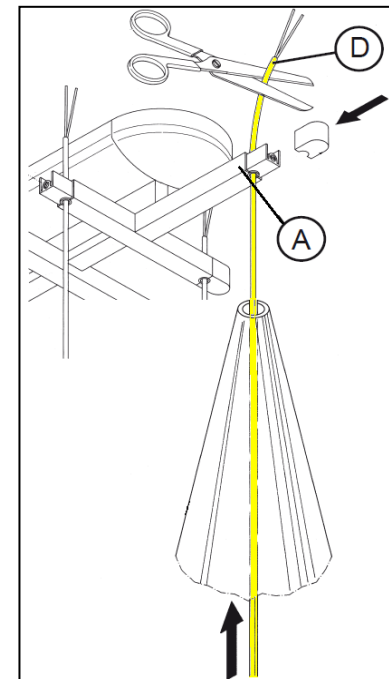
Disconnect the power supply wires from the electrical terminal box (L). Hold-up with one hand the electrical and with the other hand unfasten the screw (I) of the electrical cable tightener, then remove the electrical cable from the ceiling rose and from the glass diffuser.



FUCSIA 1



FUCSIA 3



FUCSIA 8/12

Assemble now the new spare-part:

Insert the new electrical cable with the lamp-holder assembly through the Fucsia diffuser and in the ceiling rose (A), cut the electrical to the length desired. Fasten the screw of the cable tightener and connect the power supply wires to the electrical terminal box. Assemble back the covers onto the ceiling rose.