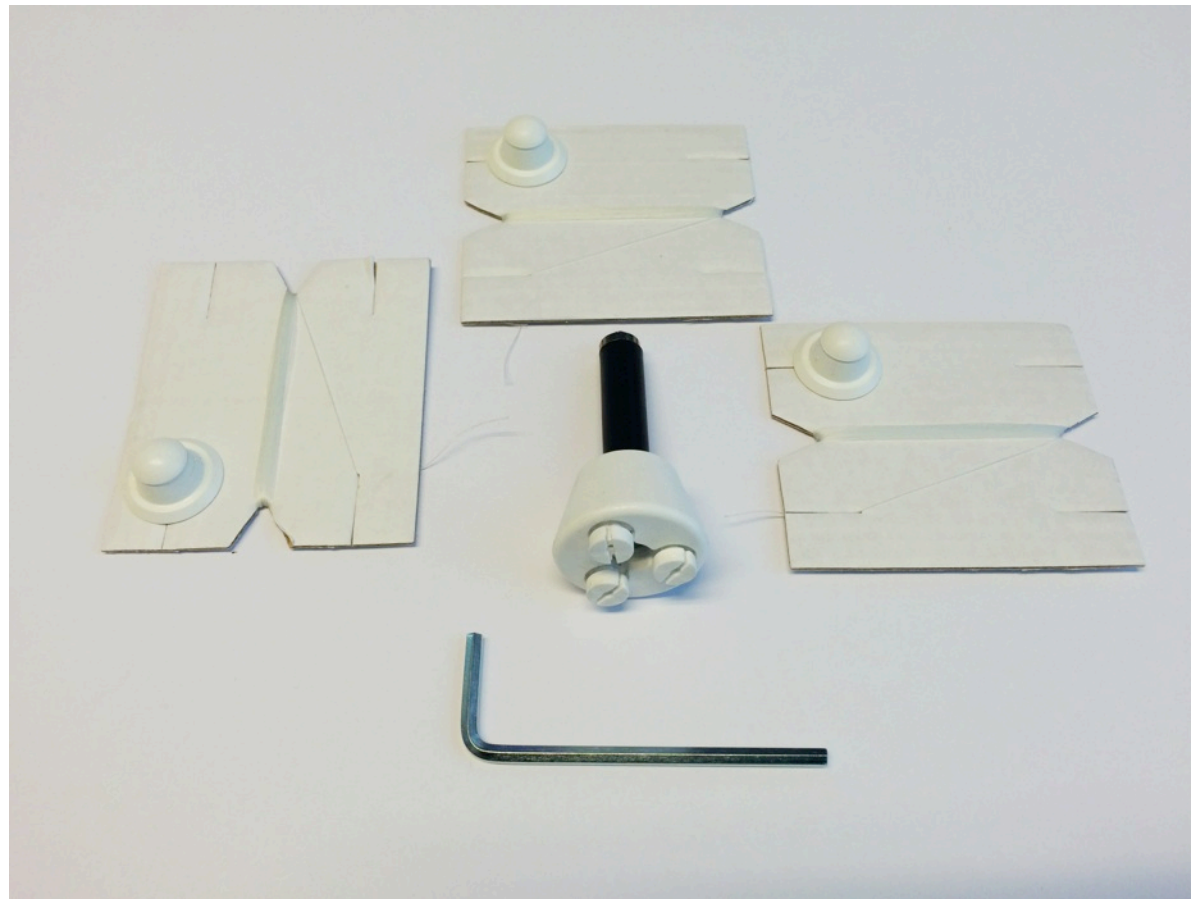
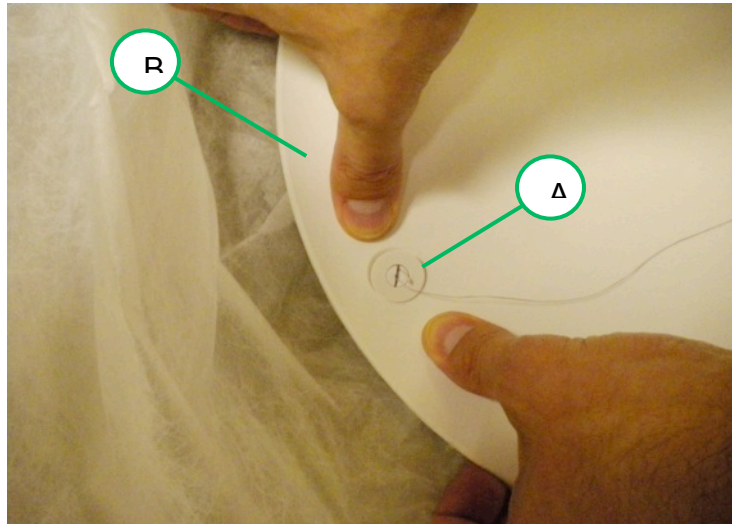

RF23536

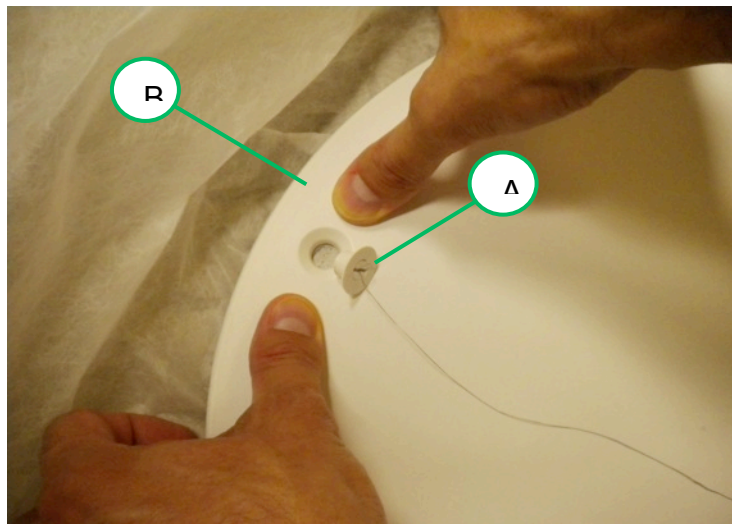
DIFFUSER SUSPENSION KIT

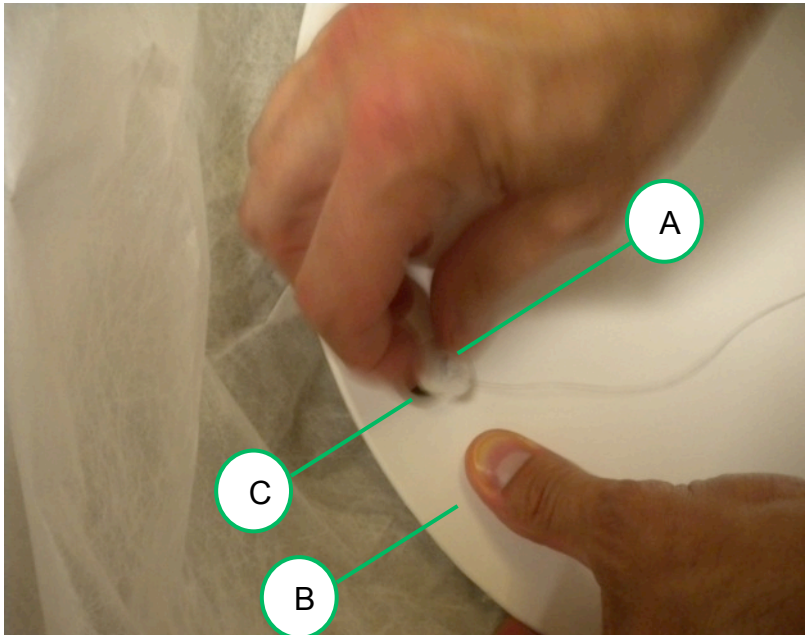


WARNING! When installing and whenever acting on the appliance, ensure that the power supply has been switched off.
For the installation of the spare-part, it is necessary to consult a qualified electrician.



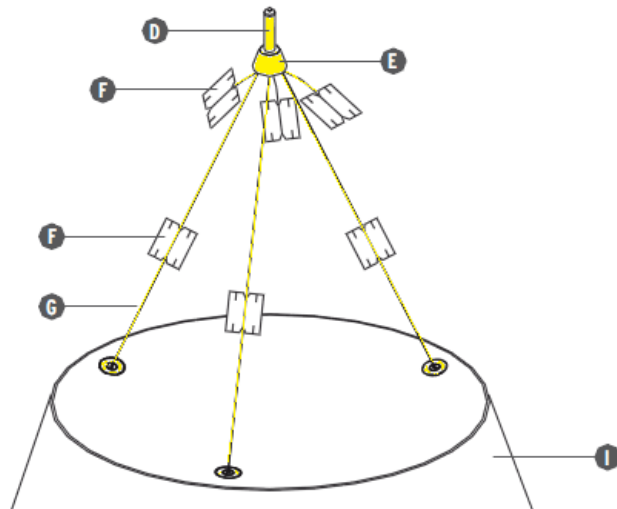
Remove the 3 wire suspension locks (A) by pressing on the diffuser plate (B) in correspondence of the suspension lock (A). The suspension wire locks (A) will pop-out by themselves.





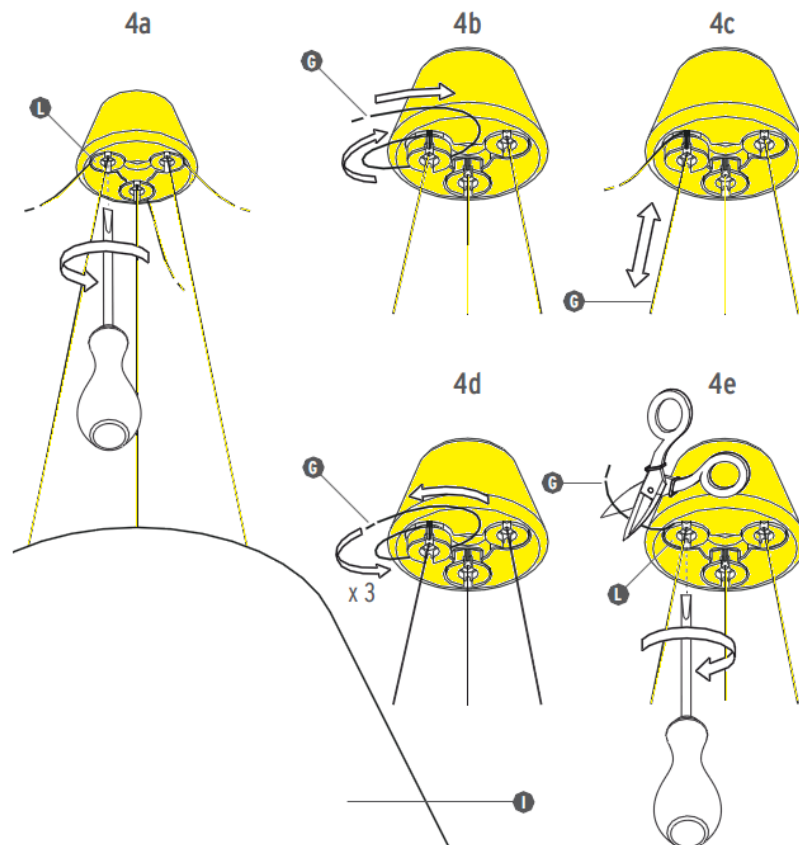
Assemble now the new spare-part:

Insert the new wire suspension locks (A) inside there opposite seats (C) on the diffuser plate (B).

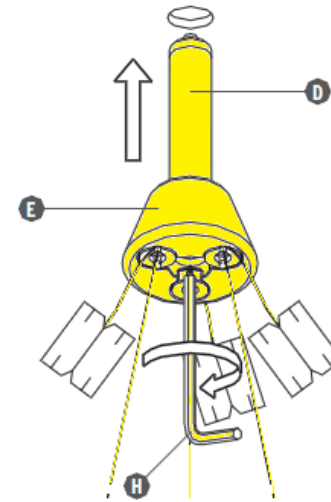
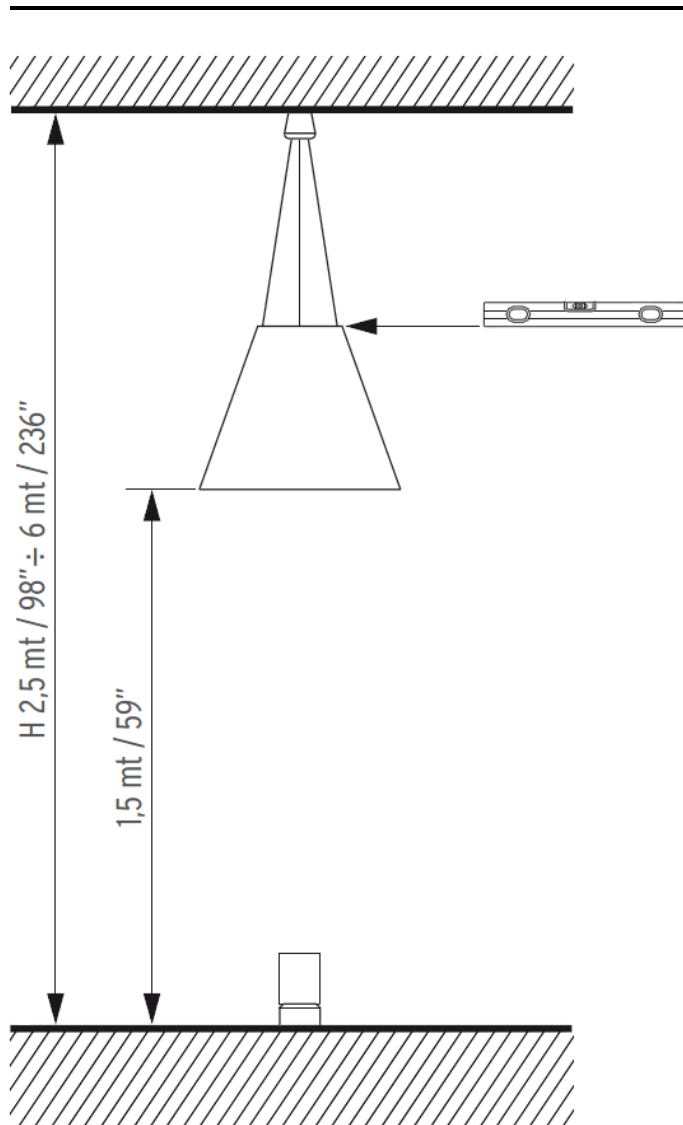


Unwind the wire (G) from the cardboard (F); drill a hole in the ceiling and insert the screw anchor (D) with the wall mounting (E), by screwing them with the hex wrench (H) supplied as standard. The distance between the wall mounting (E) and the diffuser (I) is pre-set for a ceiling height corresponding to 2.7 m./68". In the case where the ceiling height is different, please proceed as shown on the last page.

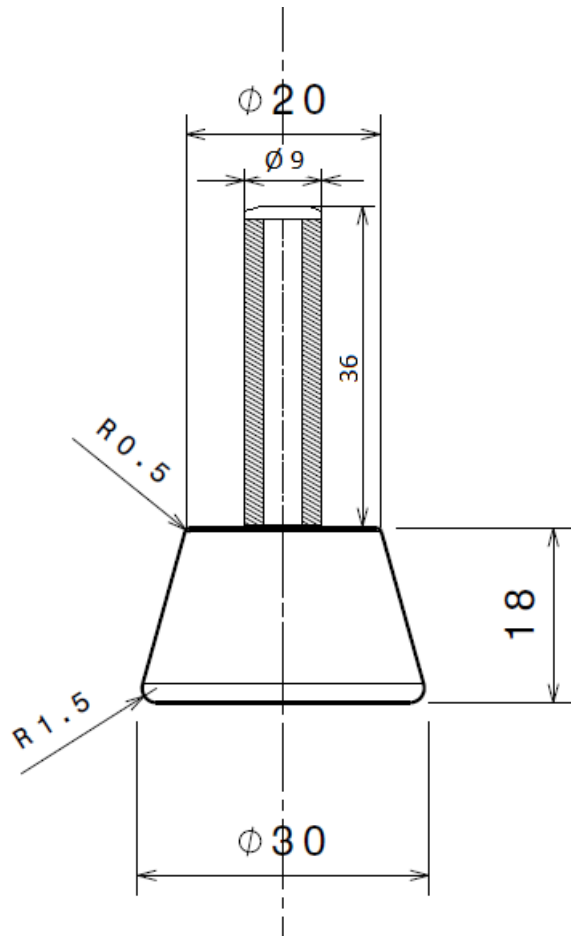
REMARKS! Choose the screw anchors that better suit the surface provided for the assembly.



Loosen the screw clamp (L), unwind the wire (G) from the under-head throat, so as to raise or lower the diffuser (I) up to the distance recommended or desired (see image in the last page). Rewind the wire (G) 3 times around the under-head throat to ensure air tightness, then carefully tighten the screw clamp (L) and cut the exceeding wire (G).



CEILING ATTACHMENT EXPANSION
ANCHOR DIMENSIONS



Attention!!! Dimensions in the present drawing are in mm.