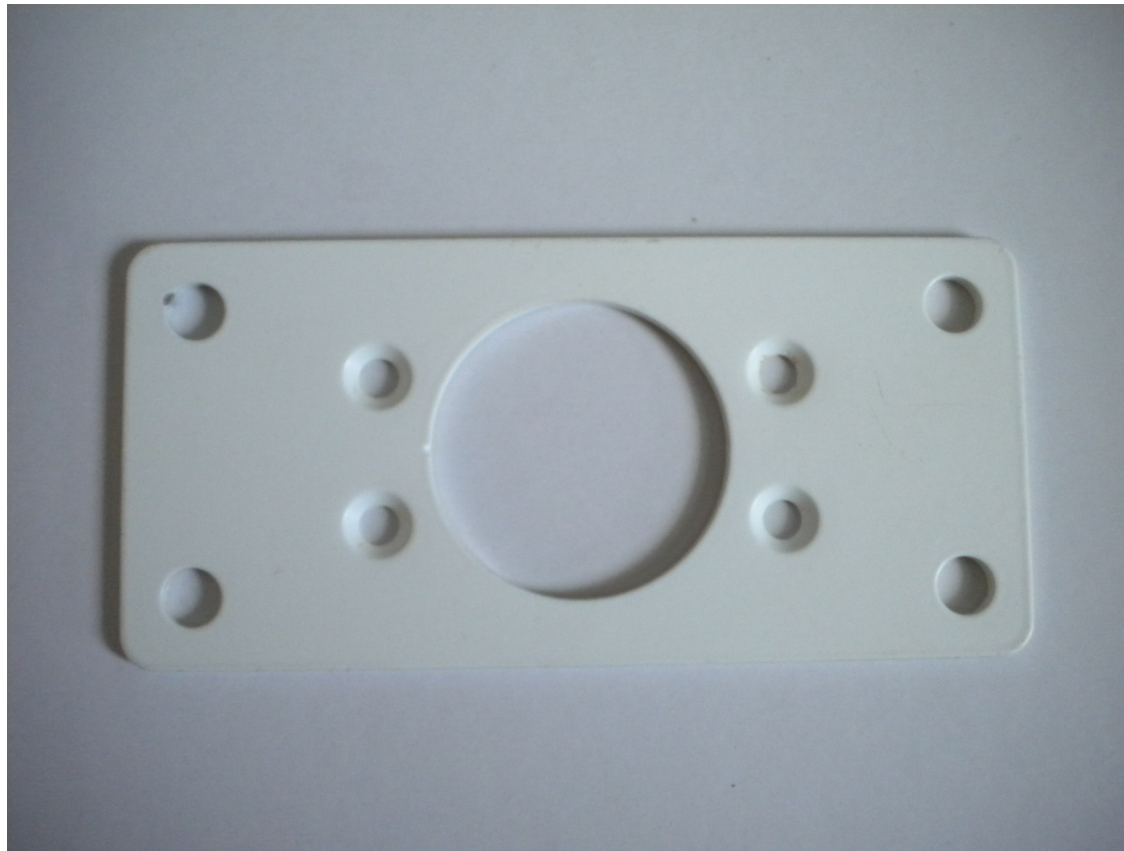
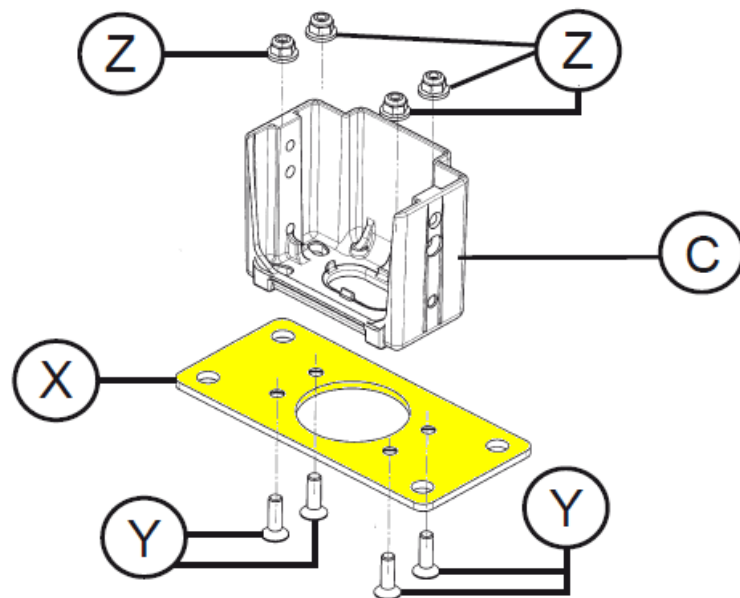

RF13580

STABILITY PLATE FOR WALL/GROUND ATTACHMENT



WARNING! When installing and whenever acting on the appliance, ensure that the power supply has been switched off.

For the installation of the spare-part, it is necessary to consult a qualified electrician.



ONLY FOR EARTH FIXING. If perhaps the earth surface is not stable, it is necessary to level the surface through the stability plate or bracket. Install the stability plate (X) by utilizing the armed expansion plugs and fix the plate with the relative screws (Y) and nuts (Z).