
KIT OF QUANTITY 3 M4 SCREWS



RF06749

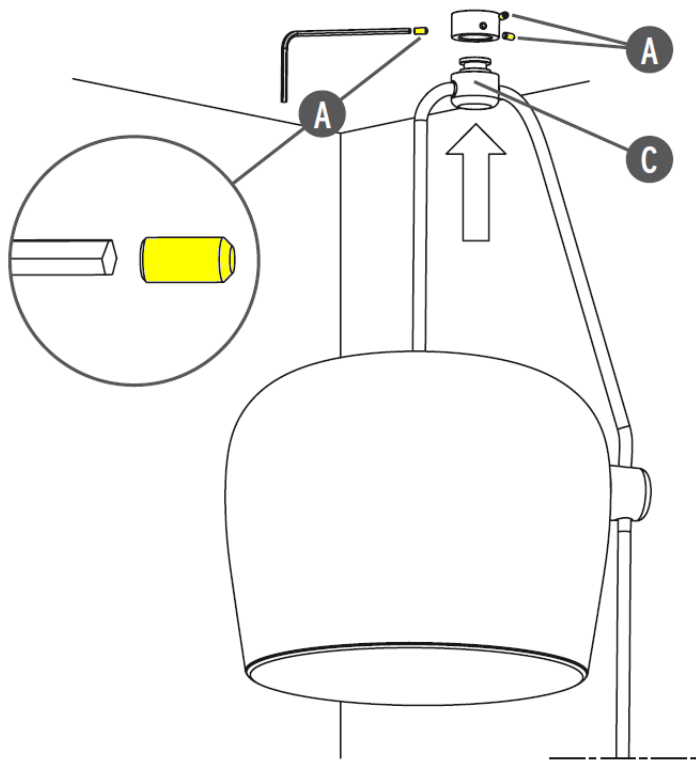
SCREWS FOR AIM (WHITE VERSION)



RF06750

SCREWS FOR AIM (BLACK & BROWN VERSION)

WARNING! When installing and whenever acting on the appliance, ensure that the power supply has been switched off.
For the installation of the ballast it is necessary to consult a qualified electrician.



Assemble the cable gland (C) to the ceiling attachment (B) and lock it with the 3 screws (A).