

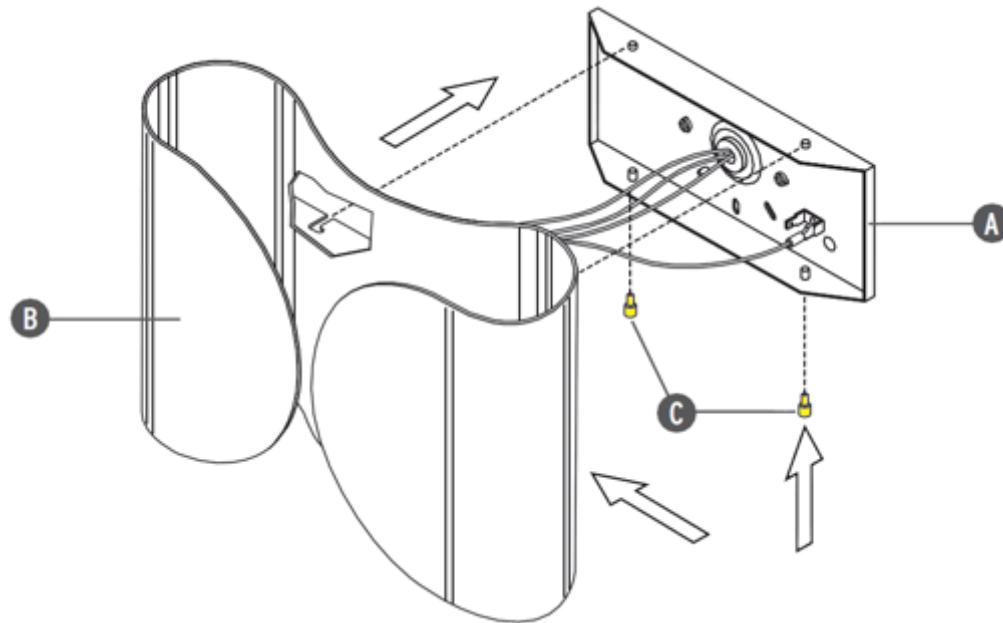
---

**RF06296**

KIT WITH QUANTITY 3 SCREWS M3



**WARNING!** When installing and whenever acting on the appliance, ensure that the power supply has been switched off. For the installation of the spare-part, it is necessary to consult a qualified electrician.



Assemble the body (B) to the wall attachment (A) by fastening the threaded pins (C).