

---

## DIFFUSER SUPPORT



**RF05940**



**RF05934**



**05935**



**05936**

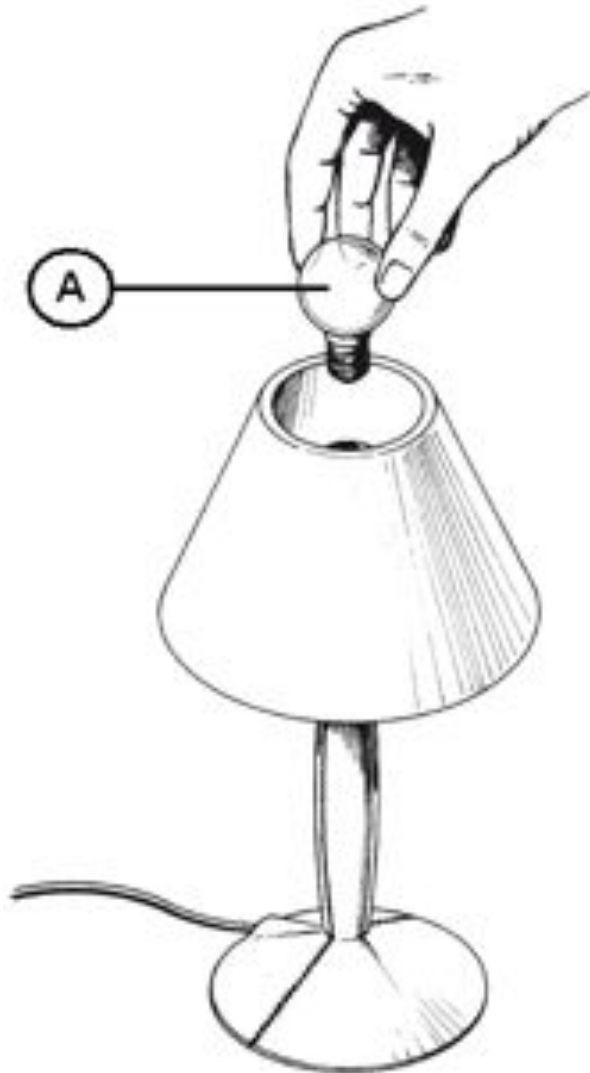


**RF05938**

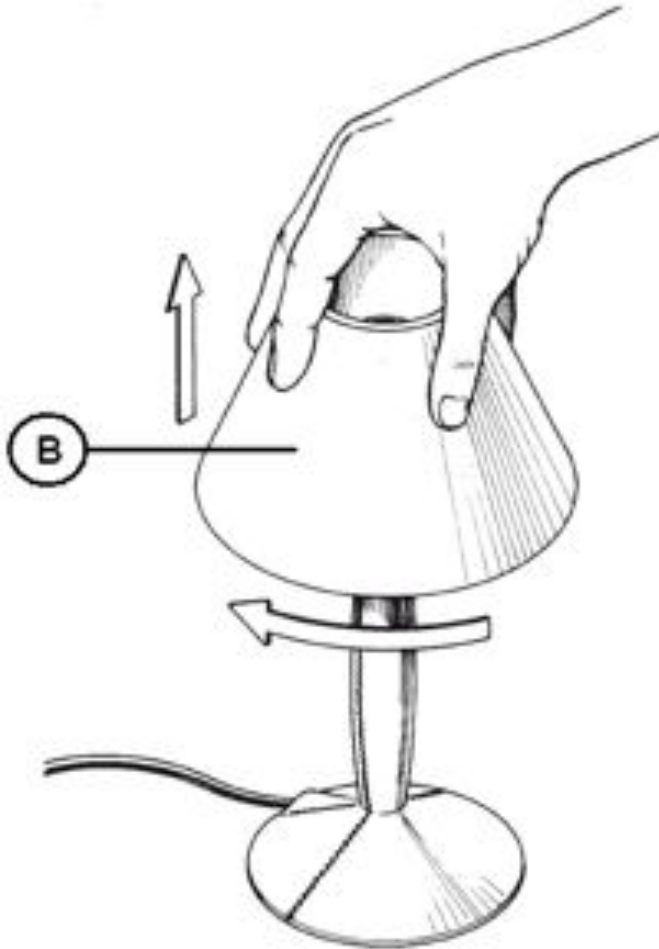
---

**WARNING!** When installing and whenever acting on the appliance, ensure that the power supply has been switched off.

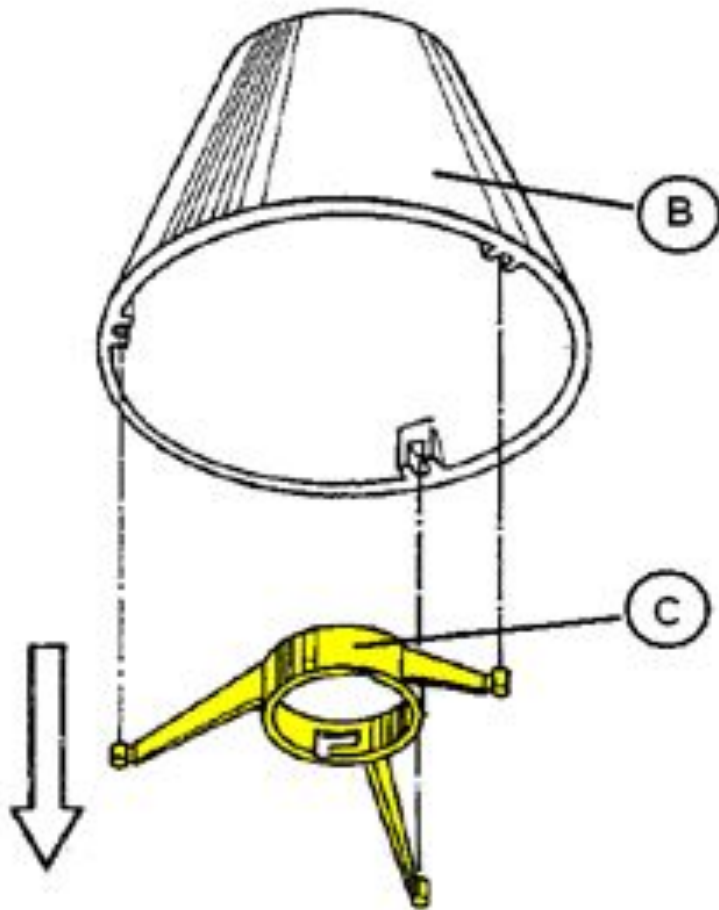
For the installation of the spare-part, it is necessary to consult a qualified electrician.



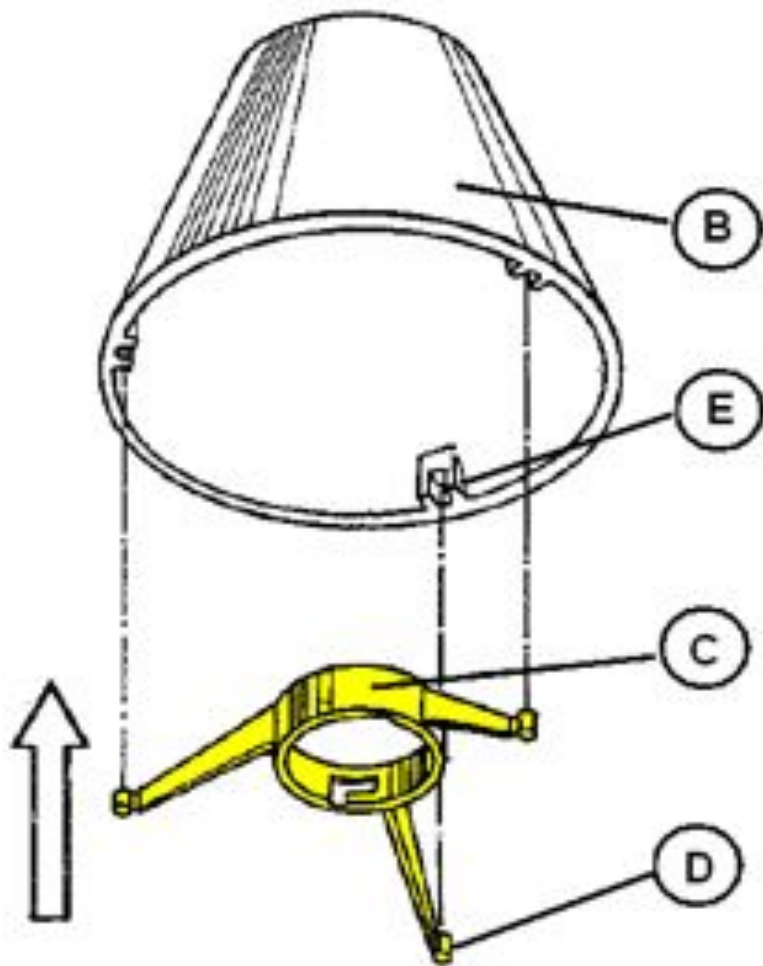
Remove the lamp-bulb (A) from the lamp.



Unlock and remove the diffuser (B) from the lamp body.

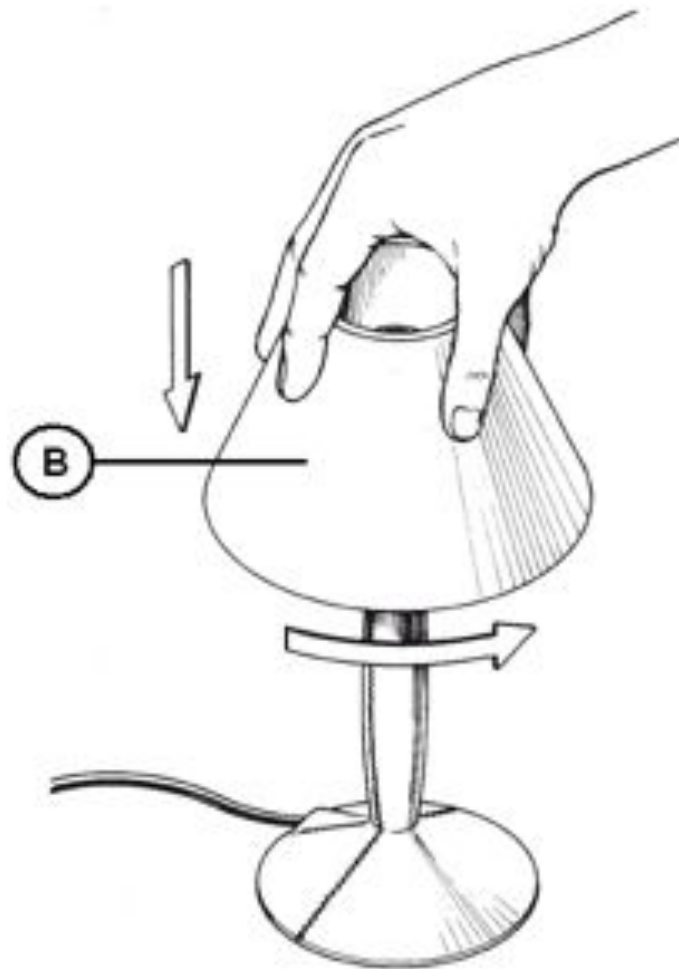


Remove the support (C) that needs to be replaced from the diffuser (B).

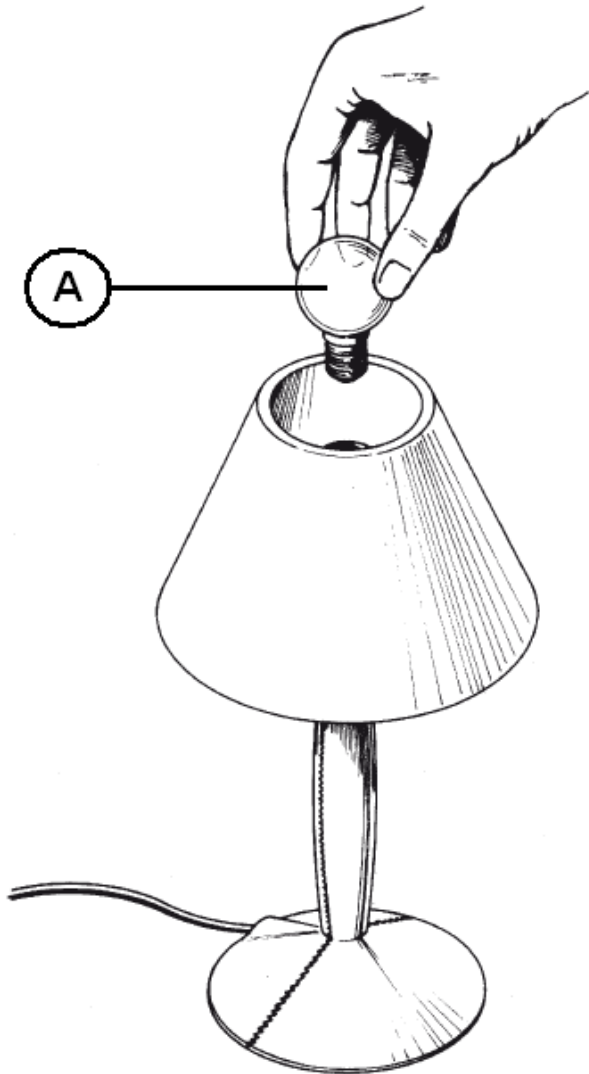


Assemble now the new spare-part:

Assemble the support (C) to the diffuser (B) by locking the hooks (D) in correspondence of the openings (E) present on the diffuser (B).



Assemble the diffuser (B) on the lamp body.



Install the lamp bulb (A) respecting the lamp technical characteristic present on the product identification label.