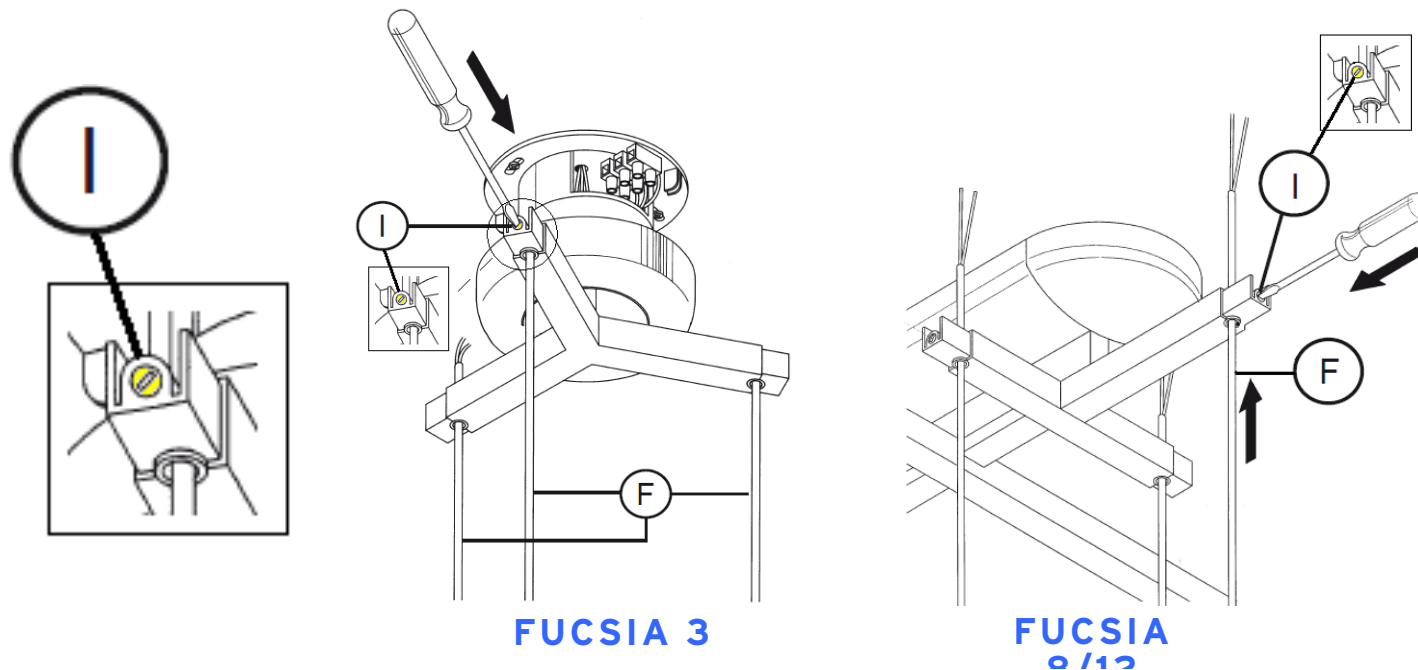


RF05801

KIT OF QUANTITY 4 SCREWS TYPE M6x10



WARNING! When installing and whenever acting on the appliance, ensure that the power supply has been switched off. For the installation of the spare-part, it is necessary to consult a qualified electrician.



Insert the screw M6x10 (I) in it's apposite threaded hole and then lock the cable (F) by fastening it.