

---

**RF05740**

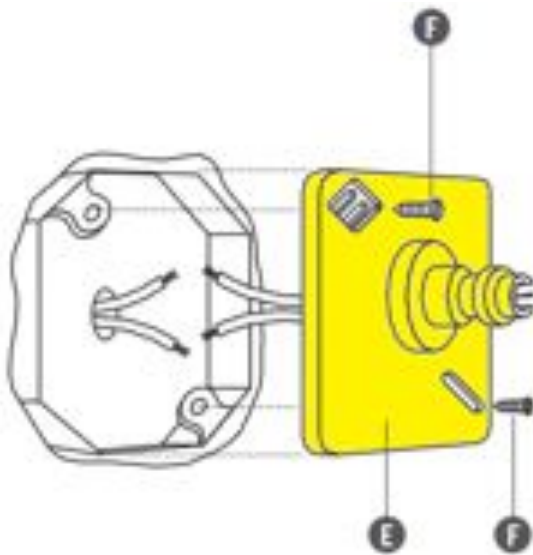
**NYLON WALL ATTACHMENT**



**FLOS U.S.A., Inc.** 110 York Street, 5th Floor, Brooklyn, NY 11201 | Tel: 718-875-3472 | Email: [e-shop@flosusa.com](mailto:e-shop@flosusa.com) | <http://usa.flos.com>

**WARNING!** When installing and whenever acting on the appliance, ensure that the power supply has been switched off.

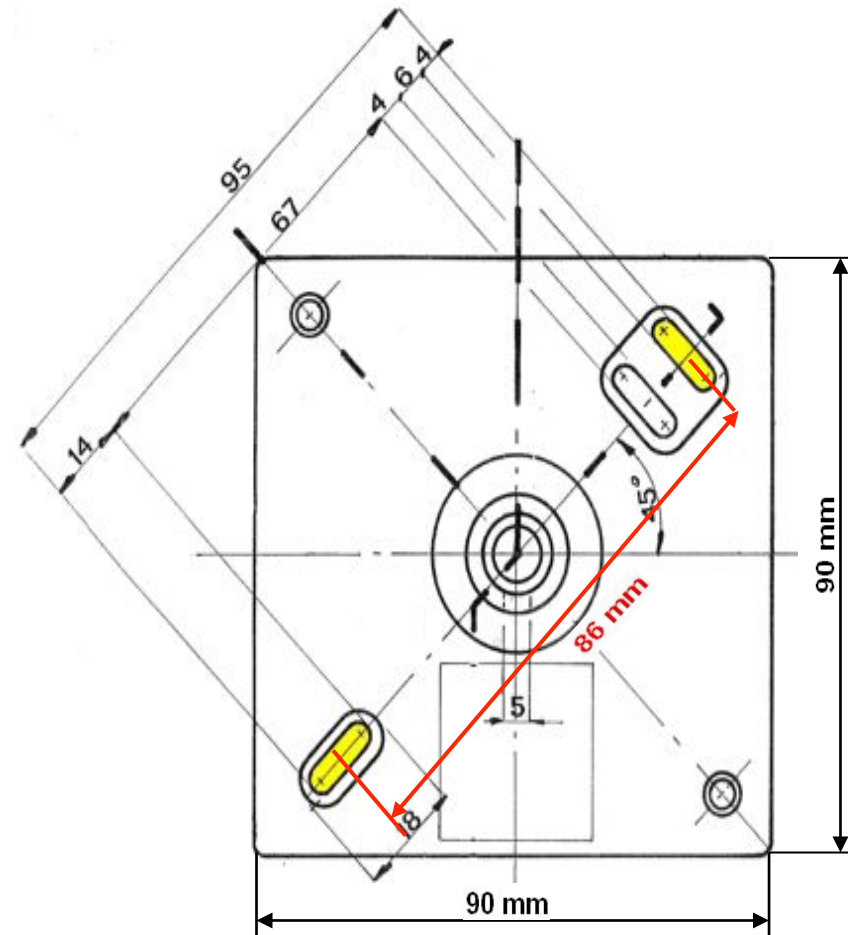
For the installation of the spare-part, it is necessary to consult a qualified electrician.



Secure backplate (E) to junction box with two screws (F). Unit may be fixed on the ceiling or wall mounted.

**NOTE:** if junction box unavailable, the unit can be mounted directly to wall and connected to a cord and switch.

## TECHNICAL DRAWING



**Attention!!!** Dimensions in the present drawing are in mm.

FLOS U.S.A., Inc. 110 York Street, 5th Floor, Brooklyn, NY 11201 | Tel: 718-875-3472 | Email: [e-shop@flosusa.com](mailto:e-shop@flosusa.com) | <http://usa.flos.com>