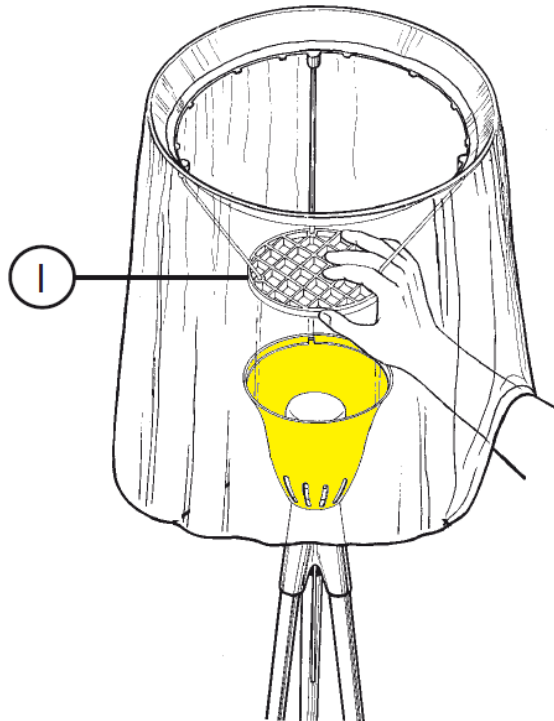

RF05250

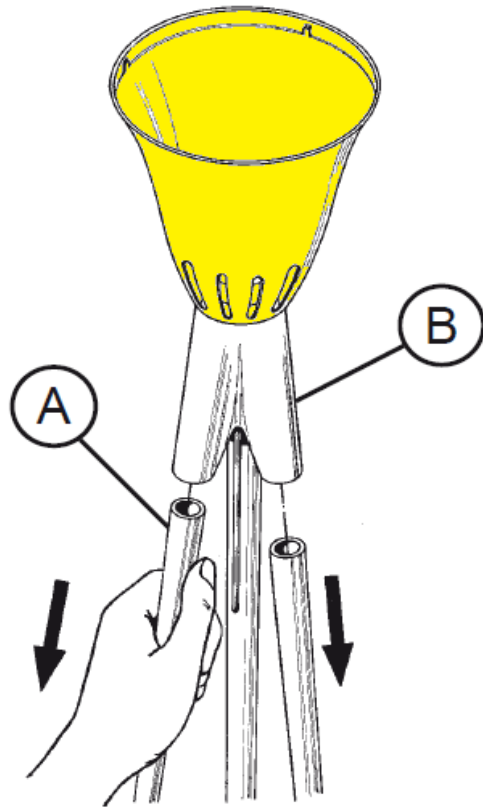
CUP



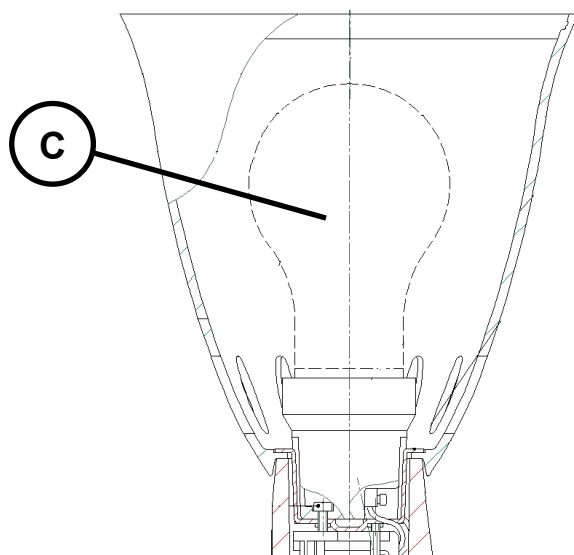
WARNING! When installing and whenever acting on the appliance, ensure that the power supply has been switched off.
For the installation of the spare-part, it is necessary to consult a qualified electrician.



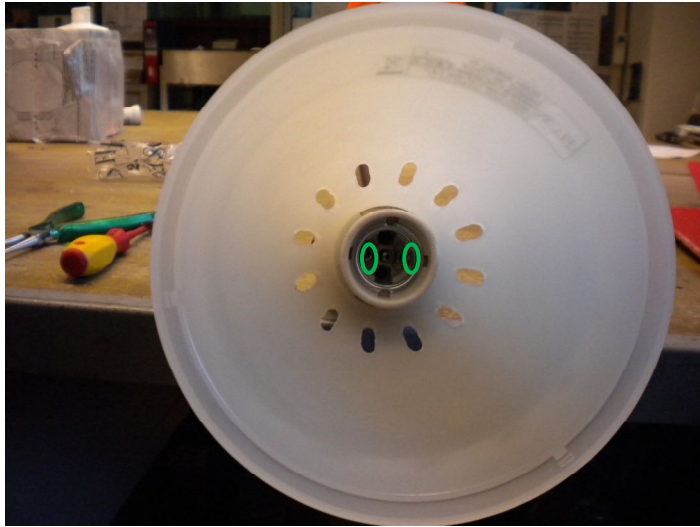
Remove the fabric diffuser and grid (I) from the lamp cup.



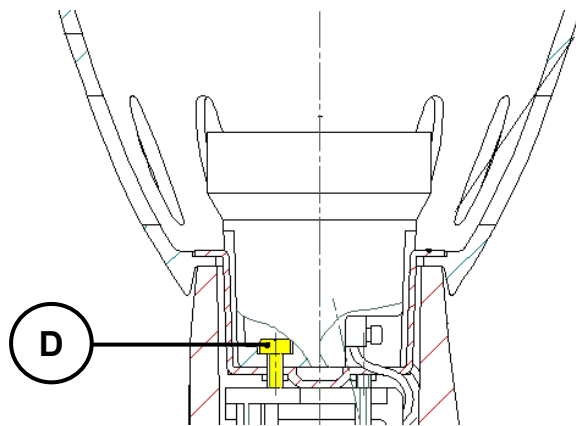
Detach the 2 lamp legs (A) from the lamp body (B).



Remove the lamp bulb (C).

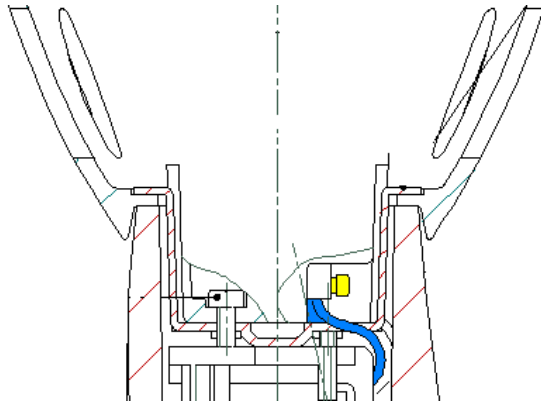


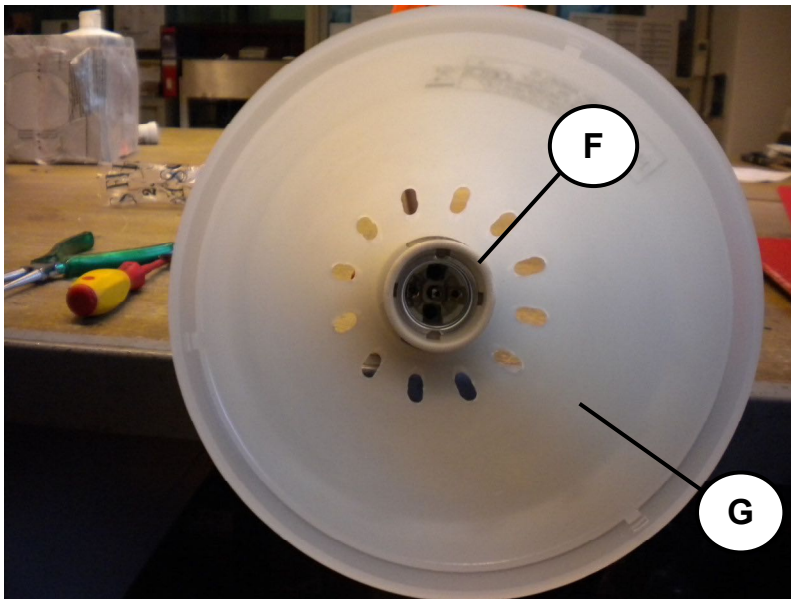
Unfasten the 2 screws (D) inside the lamp holder.





Disconnect the wires "N" and Brown "L" from the lamp holder terminals (E) and remove the lamp holder through the lateral hooks from the damaged lamp cup.



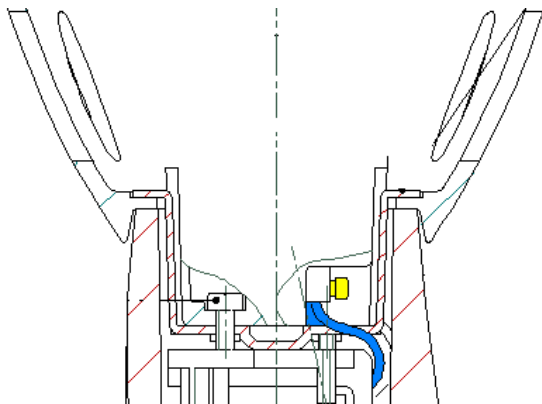


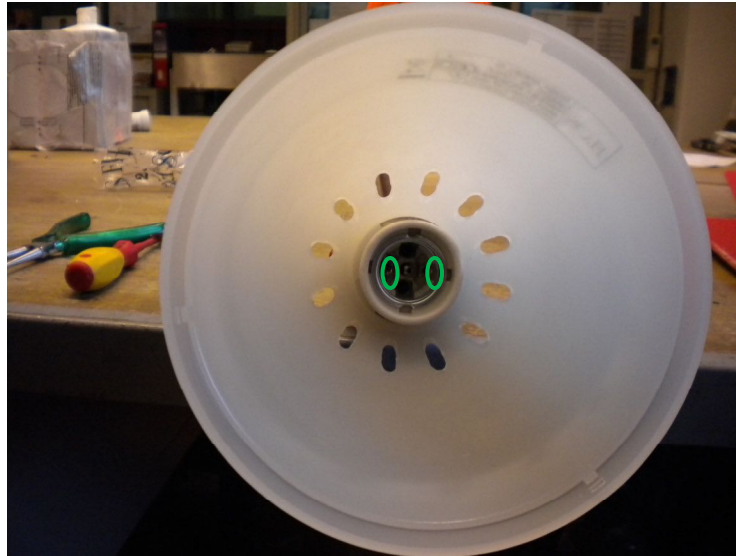
Assemble now the new spare-part:

Install the lamp holder (F) to the new lamp cup (G).

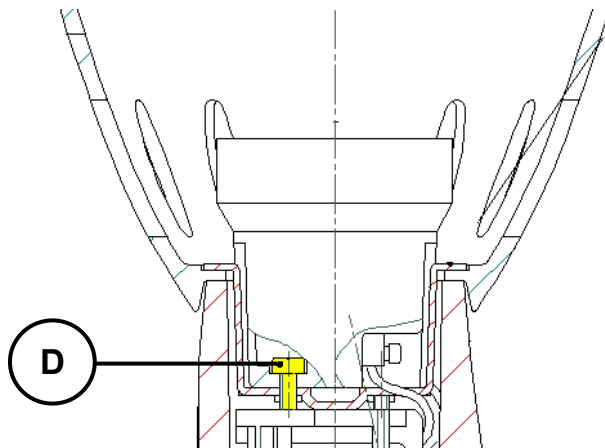


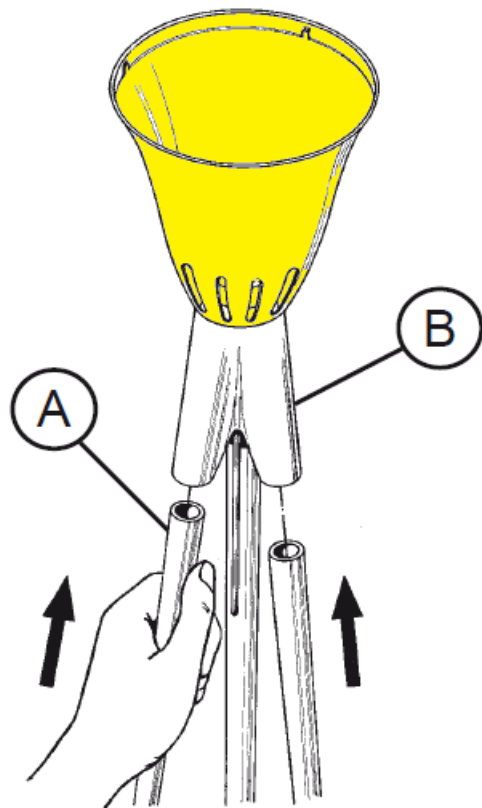
Connect the wires Blue and Brown to the lamp holder terminals (E) by respecting the polarities.



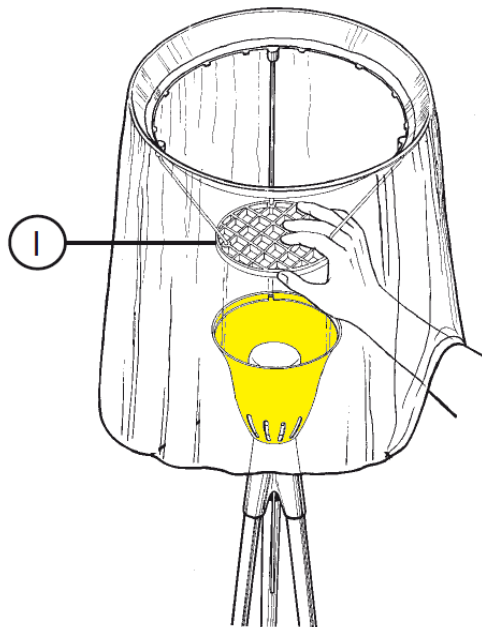


Assemble back the lamp holder and cup to the lamp body by fastening the 2 screws (D).

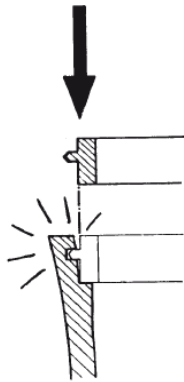




Insert the legs (A) in the body lamp (B).



Insert the ring nut (I) and the fabric sheet (D) in the plastic diffuser housings (L) until they click into place as indicated in the figure (refer to *Fig.7b*).



REMARKS! For a correct installation, align the three supports with the plastic internal diffuser.