

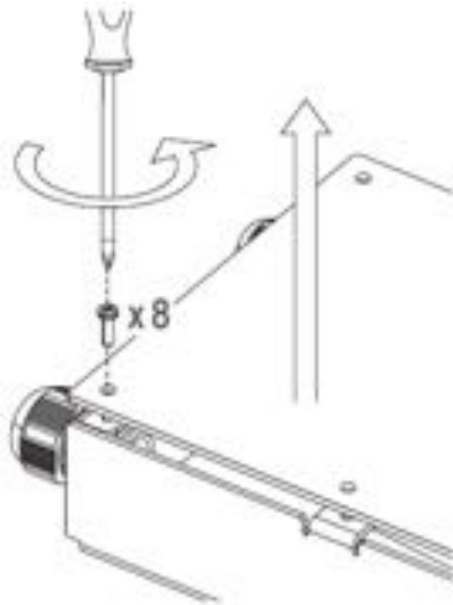
ARRANGEMENTS LUTRON DIMMER AND REMOTE CONTROL



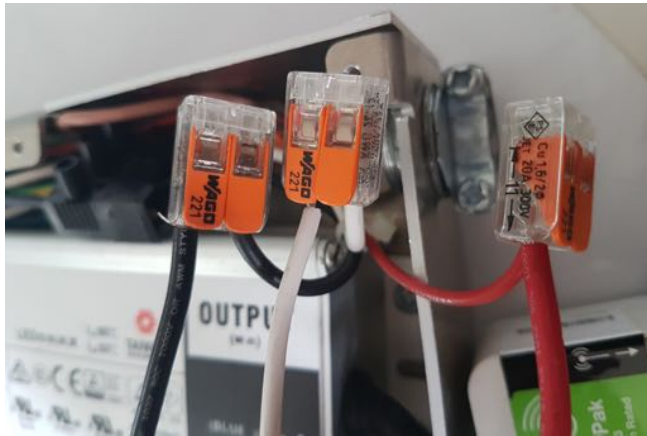
RF0410800



WARNING! When installing and whenever acting on the appliance, ensure that the power supply has been switched off. For the installation of the spare-part, it is necessary to consult a qualified electrician.

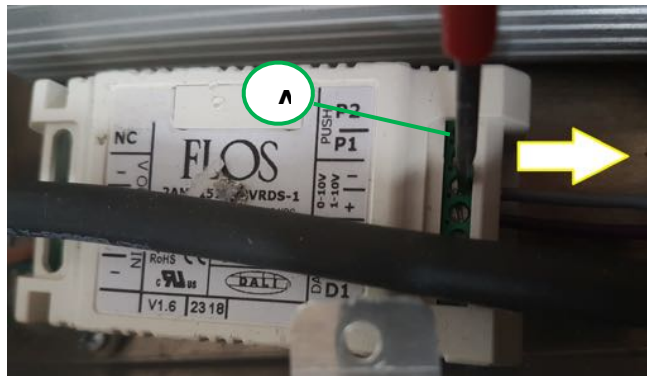


Remove the cover.



Disconnect the black cable, the red cable and the white cable of the control unit from the terminal blocks.

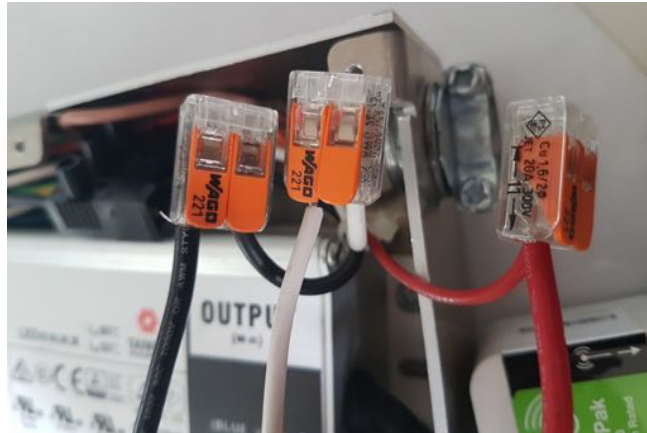
Disconnect the wires from the dimmer (A) using a screwdriver.





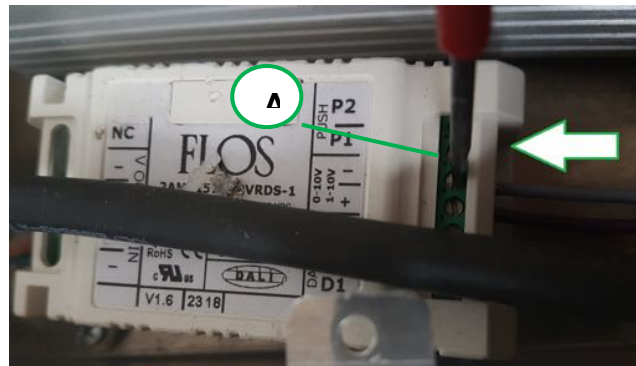
Remove the control unit from the power unit and replace it with the new control unit.

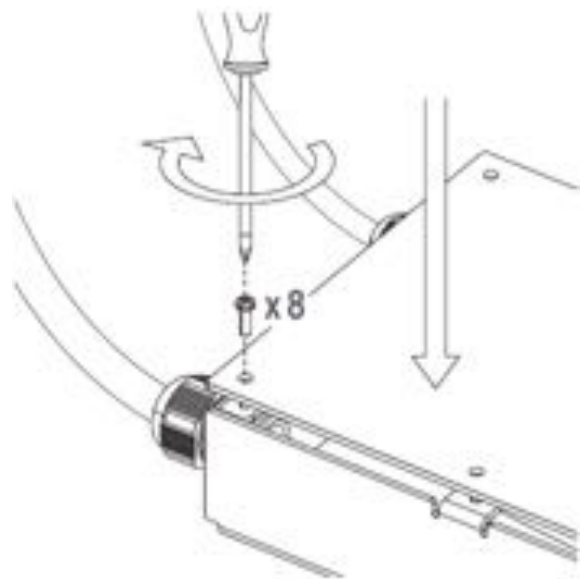
FLOS



Connect the black cable, the red cable and the white cable of the new control unit to the terminal blocks.

Connect the wires to the dimmer using a screwdriver.





Place the cover on the ceiling rose.

Fasten the screws

