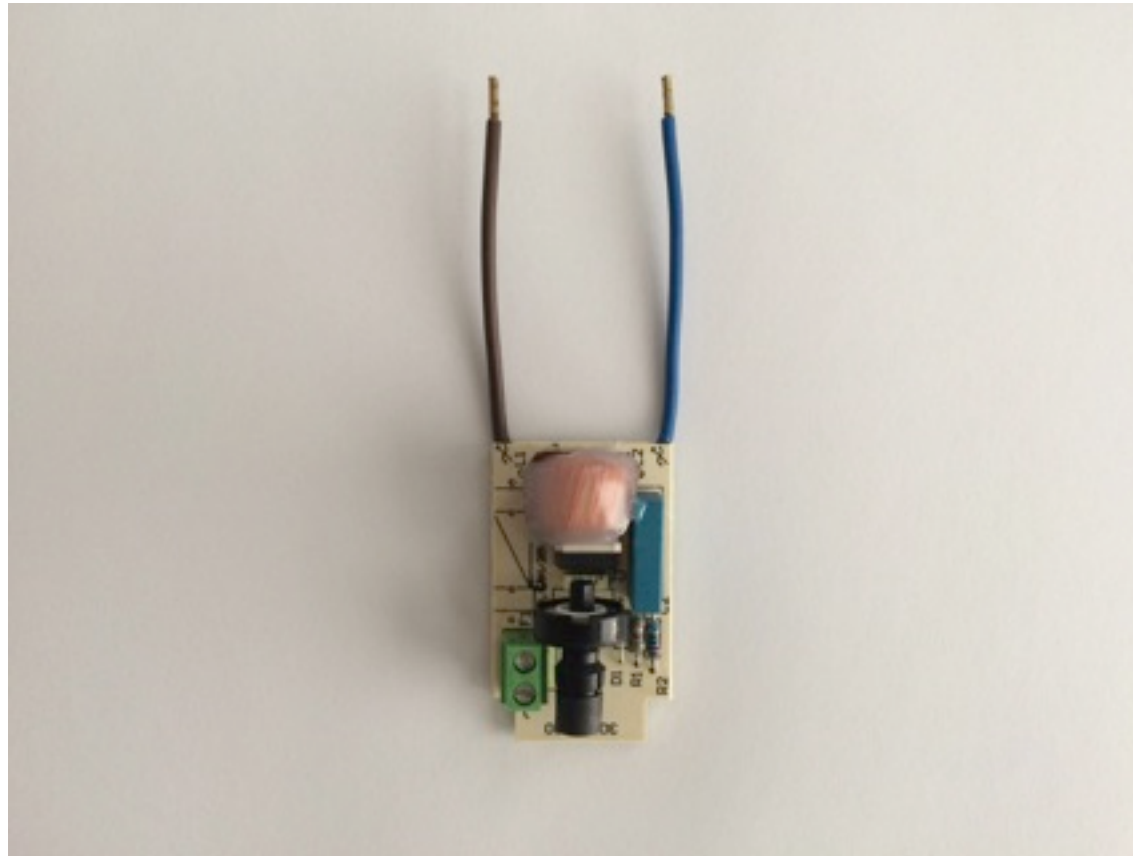
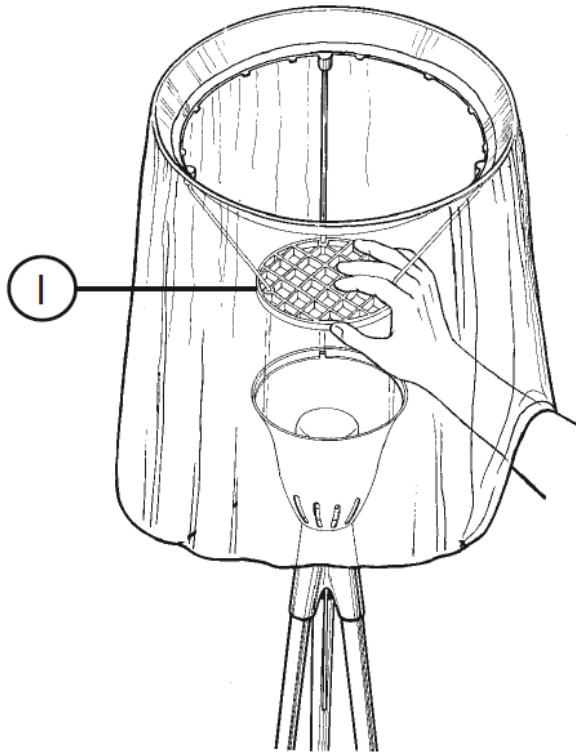


RF04040

PCB DIMMER WITH SMALL DRIVE SHAFT

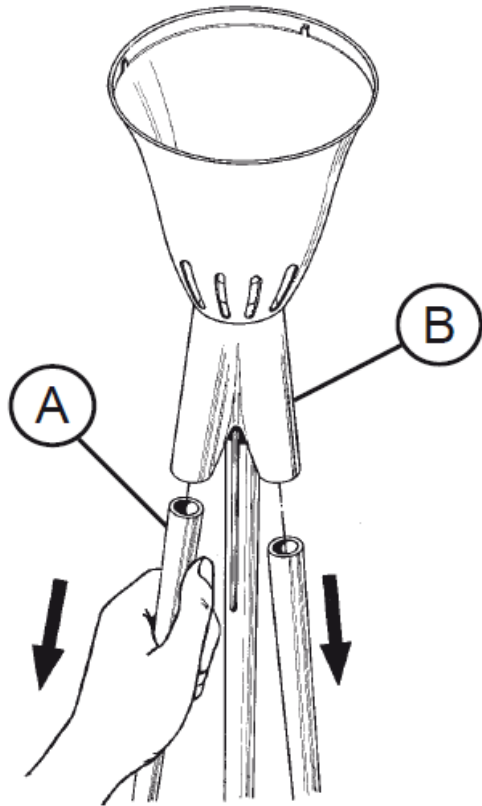


WARNING! When installing and whenever acting on the appliance, ensure that the power supply has been switched off. For the installation of the spare-part, it is necessary to consult a qualified electrician.



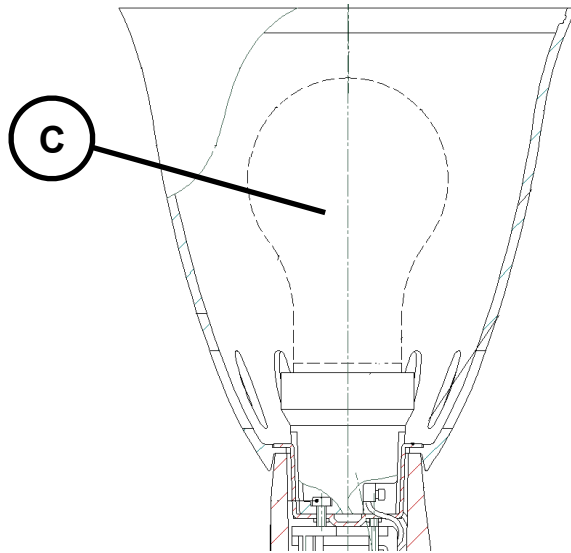
Remove the fabric diffuser and grid (I) from the lamp cup.

FLOS



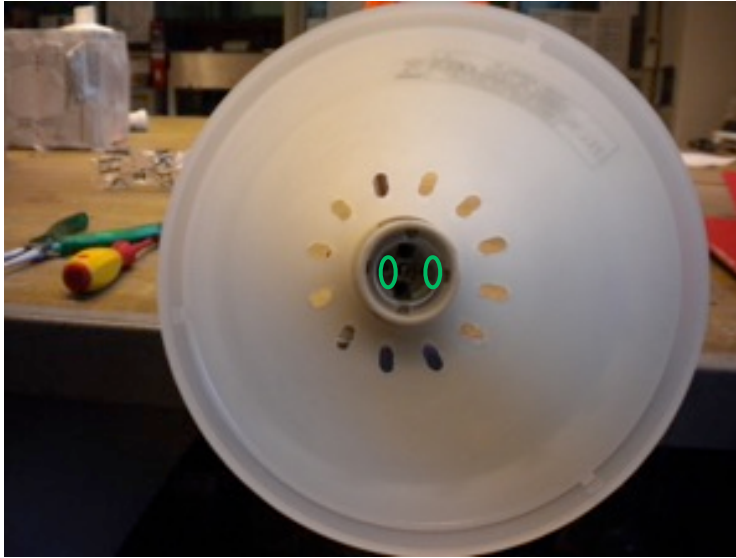
Detach the 2 lamp legs (A) from the lamp body (B).

FLOS

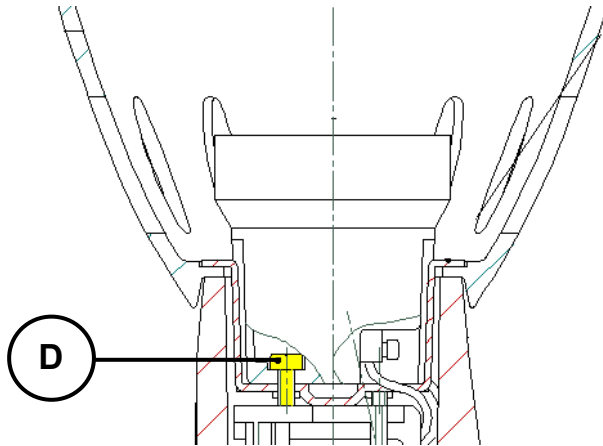


Remove the lamp bulb (C).

FLOS



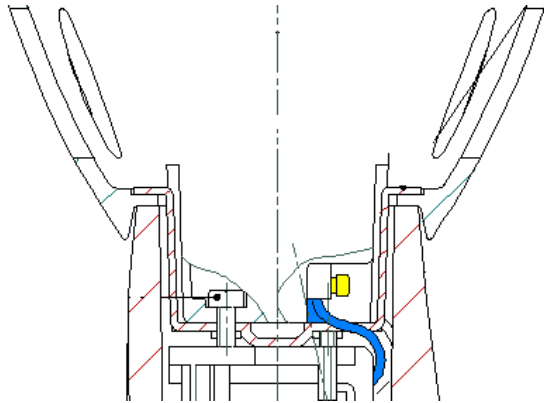
Unfasten the 2 screws (D) inside the lampholder.

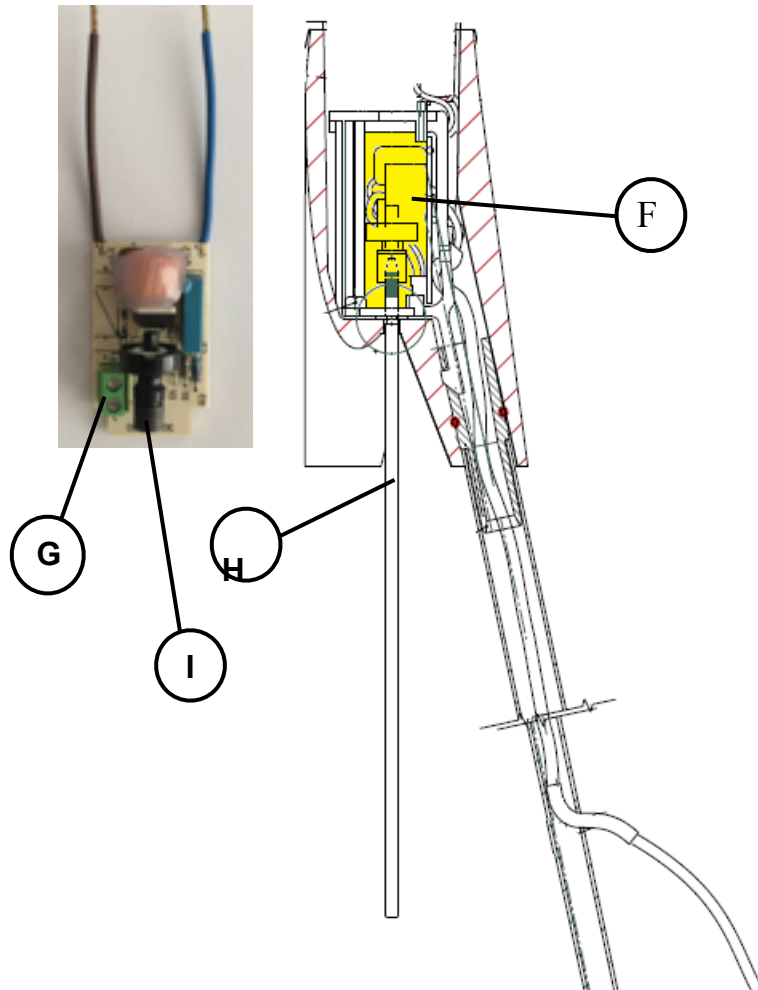


FLOS

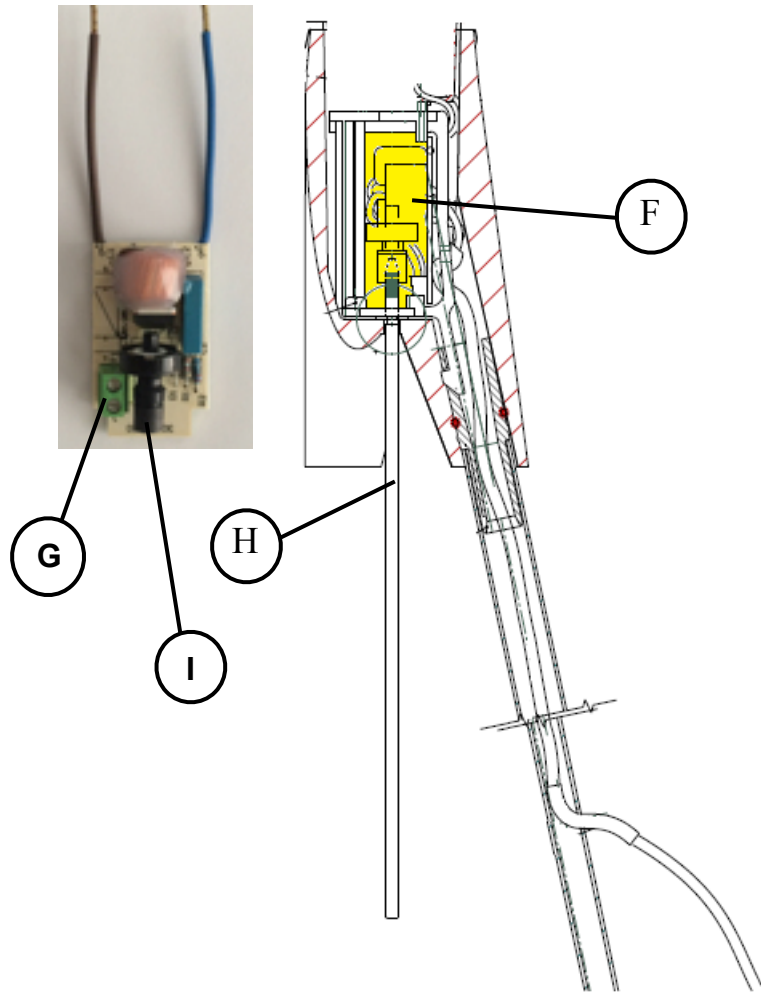


Disconnect the wires "N" and "L" from the lampholder terminals (E) and remove the lampholder through the lateral hooks from the lamp cup.





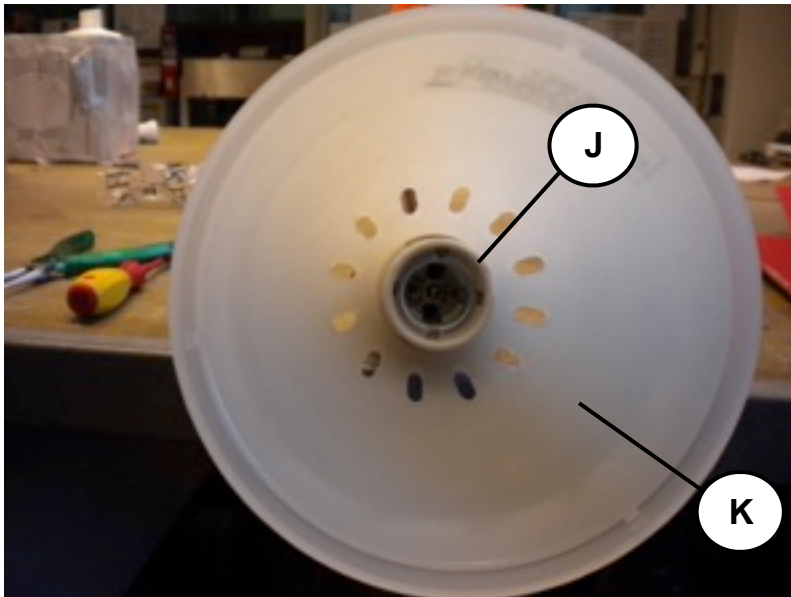
Pull-out the dimmer rod (H) from the small drive shaft (I). Disconnect the electrical wires from the green terminal (G) and remove the PCB dimmer (F) from the lamp body.



Assemble now the new spare-part:

Insert inside the lamp body the dimmer (F).
Insert the rod (H) inside the small drive shaft (I).
Connect the electrical wires to the green terminals (G).

FLOS

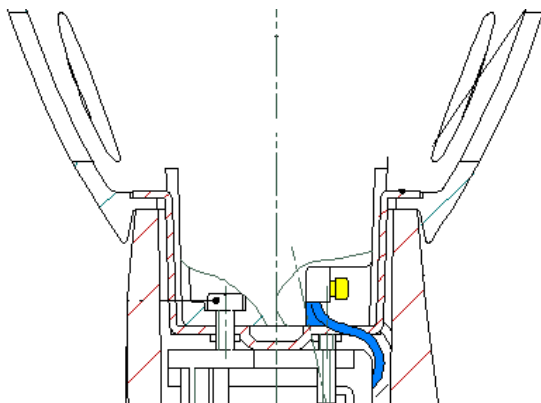


Install the lampholder (J) to the new lamp cup (K).

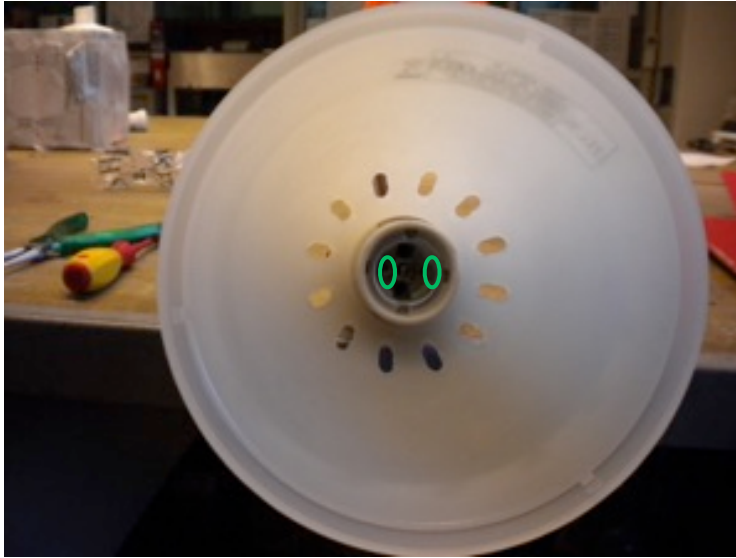
FLOS



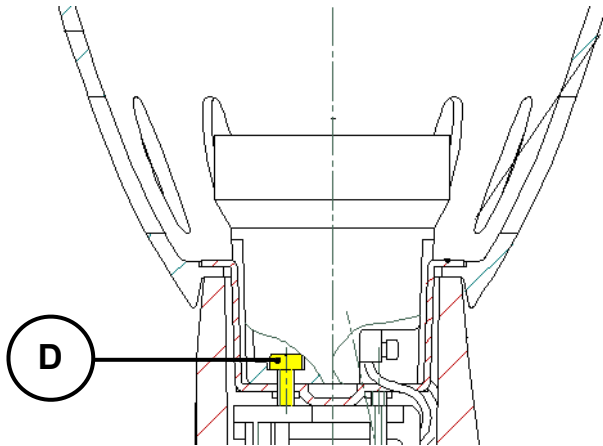
Connect the dimmer wires (Blue and Brown) to the lampholder terminals (E) by respecting the polarities.



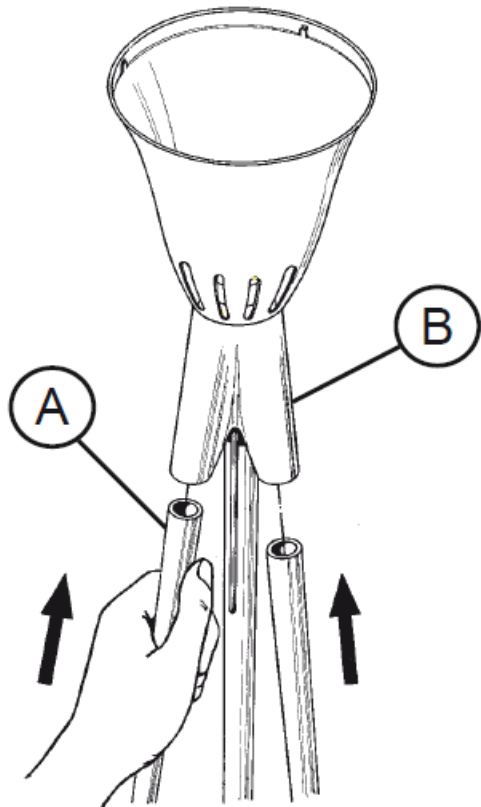
FLOS



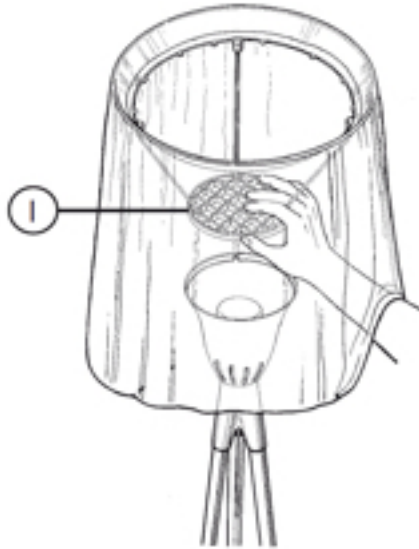
Assemble back the lampholder and cup to the lamp body by fastening the 2 screws (D).



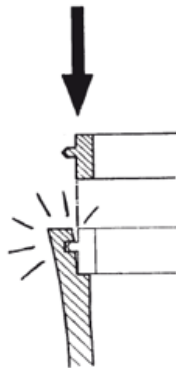
FLOS



Insert the legs (A) in the body lamp (B).



Insert the ring nut (I) and the fabric sheet (D) in the plastic diffuser housings (L) until they click into place as indicated in the figure.
REMARKS! For a correct installation, align the three supports with the plastic internal diffuser.



WARNING! When installing and whenever acting on the appliance, ensure that the power supply has been switched off. For the installation of the spare-part, it is necessary to consult a qualified electrician.