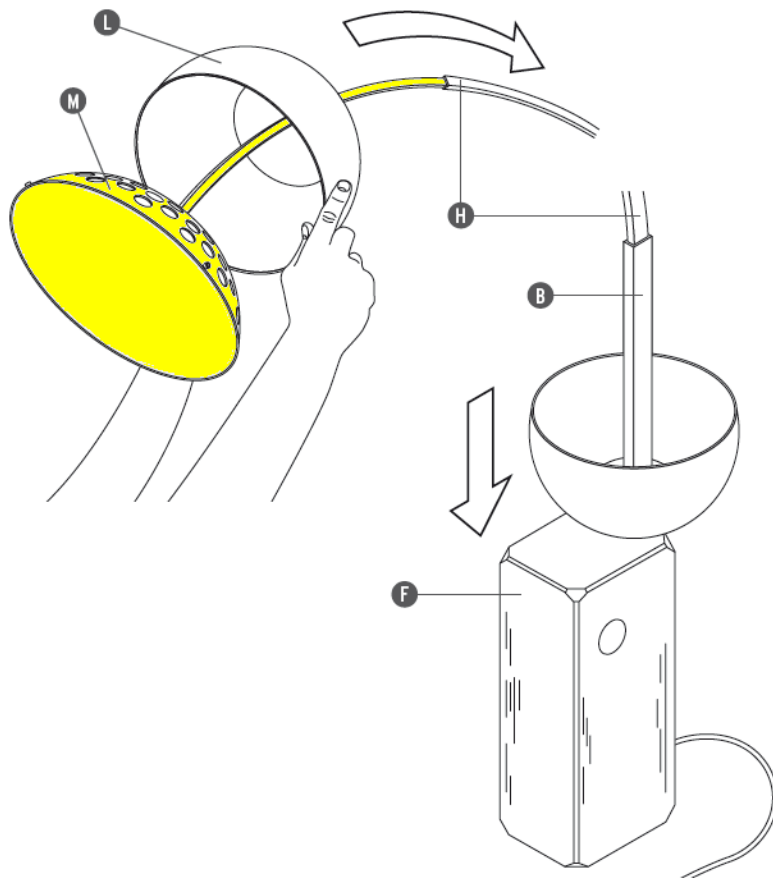


RF0303400

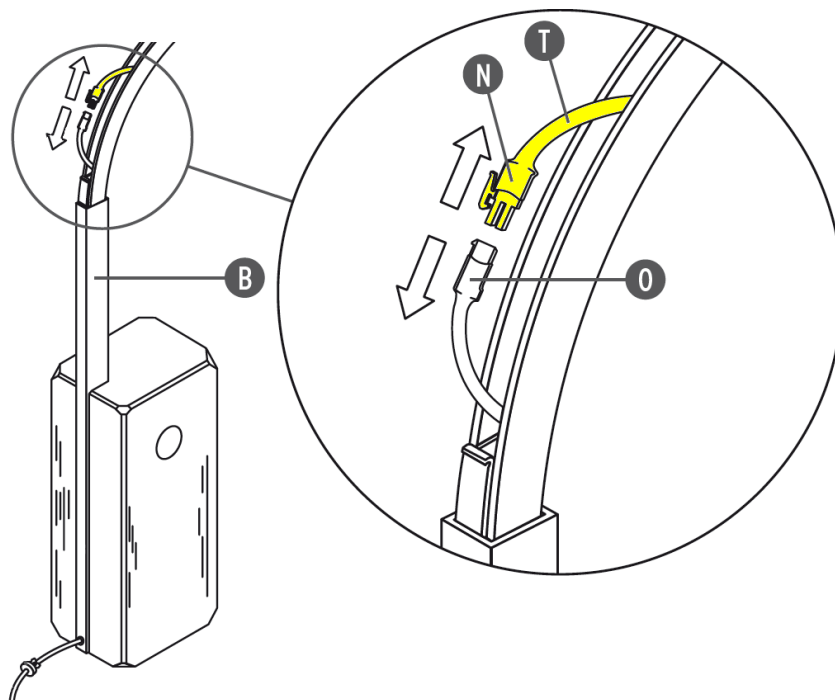
SMALL INOX CHANNEL WITH GRID AND LED



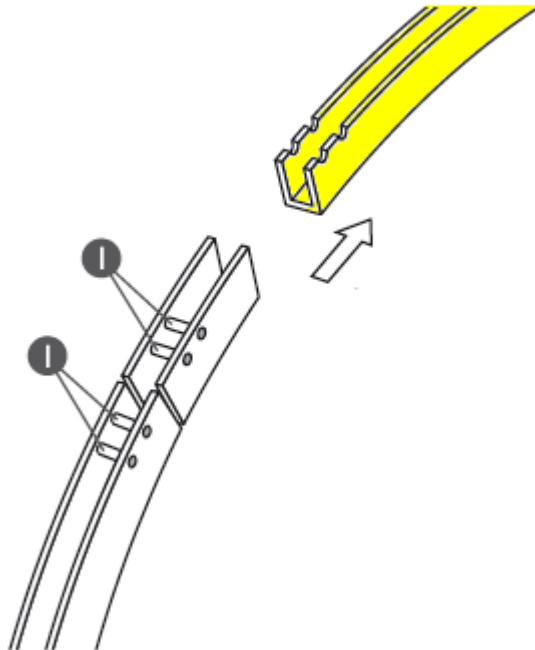
WARNING! When installing and whenever acting on the appliance, ensure that the power supply has been switched off. For the installation of the spare-part, it is necessary to consult a qualified electrician.



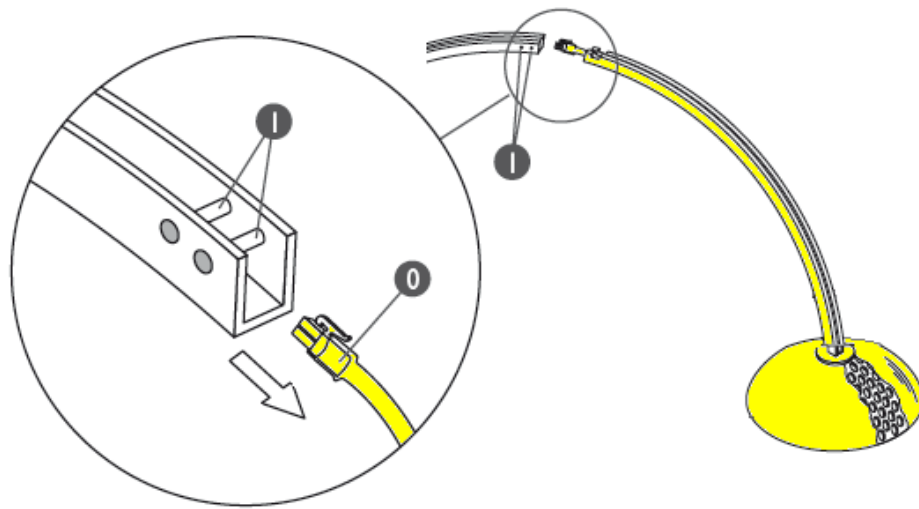
Lift the damaged reflector (L) from the grid (M) by sliding it along the channel (H) and the stem (B) and lean it on the top of the marble base (F) of the appliance.



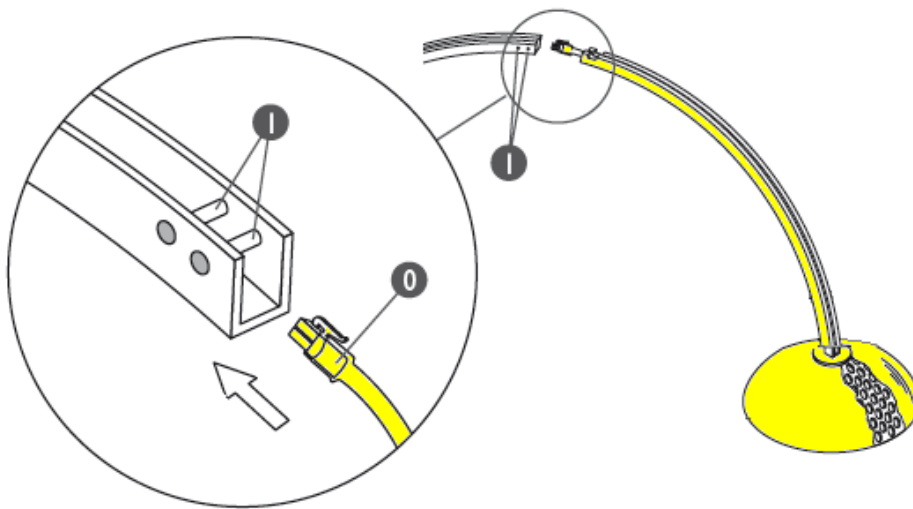
Disconnect the connector (N) from the connector (O) of the cable that comes from the stem (B).



Unhook the channel with the grid assembly from the pins (I).

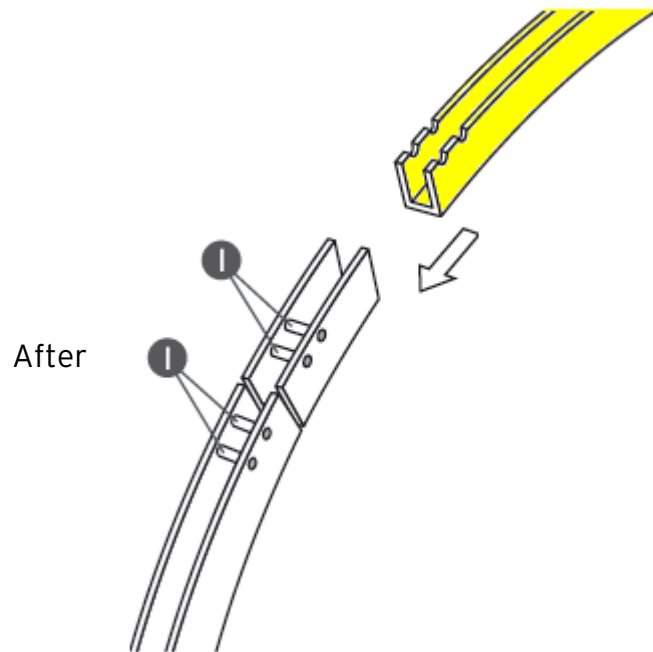


Slide out the electrical cable from the channel and remove the channel with the grid.
ATTENTION! Do not damage the connector (O) and cable whilst sliding it out from the pins (I).

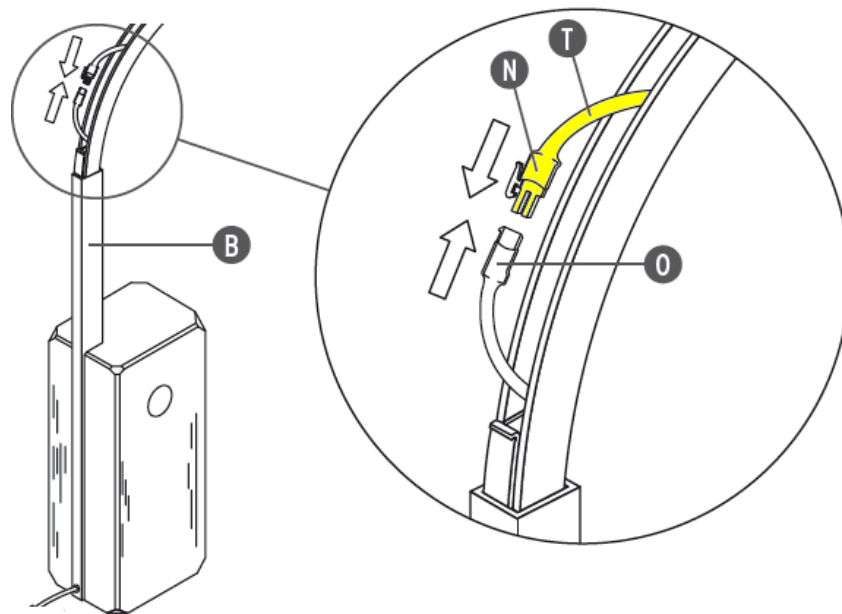


Assemble now the new spare-part:

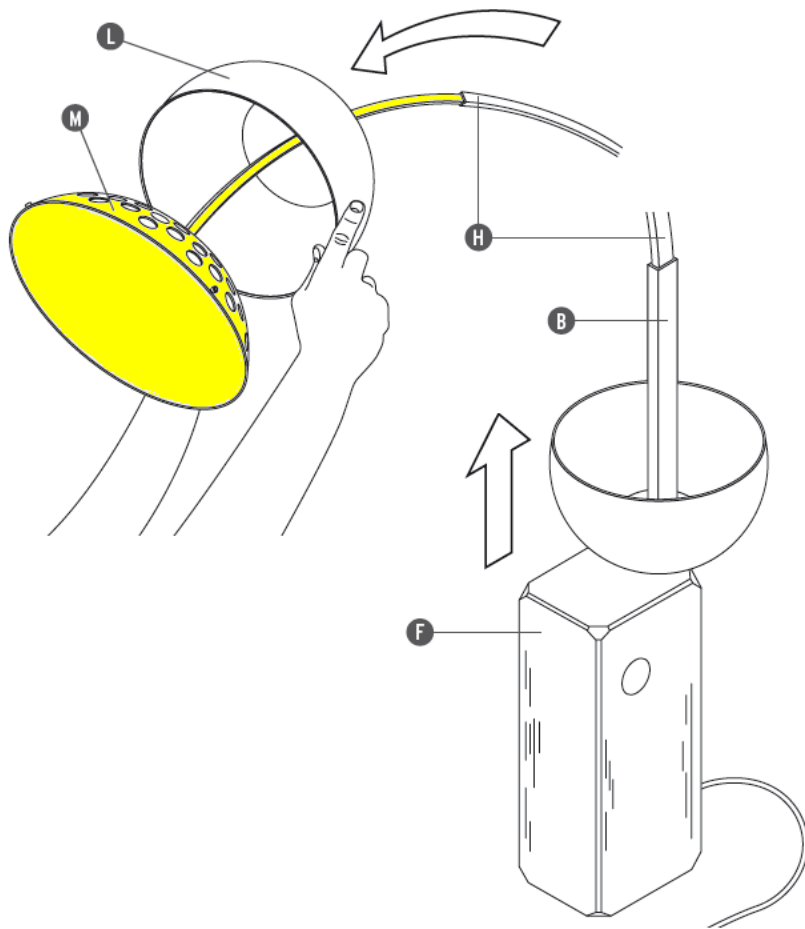
Insert the cable with the connector (0)
underneath the pins (1)
and slide it through the channel.



Joint the channel together through the pins (I) according to the desired position.



having positioned carefully the electric cable (T) on the bottom channel, connect the connector (N) to connector (O) of the cable coming from the stem (B).



Collocate the reflector (L) on the grid (M) by sliding it through the stem (B) and through the channels of the appliance.