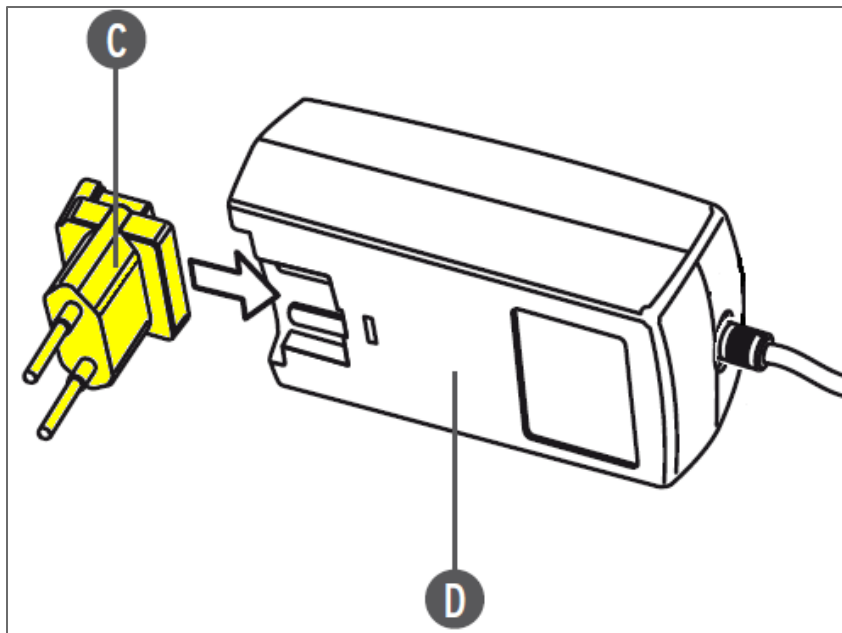

RF0303130

BLACK KIT PLUGS





WARNING! When installing and whenever acting on the appliance, ensure that the power supply has been switched off.

For the installation of the spare-part, it is necessary to consult a qualified electrician.

Insert the plug (C) into the driver unit (D). Utilize the guides and snap it inside its apposite slot (use the correct type of plug for the area in which the device must be installed).