

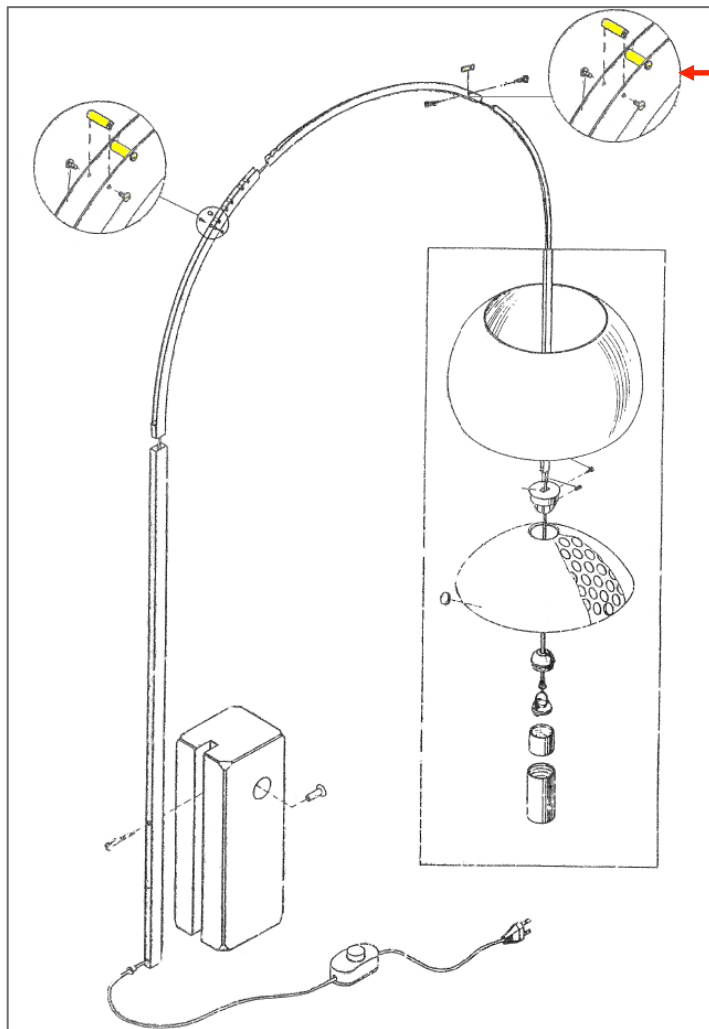
---

## RF0300200

### PINS AND SCREW KIT



## FOR ARCO HALOGEN:



SMALL PIN

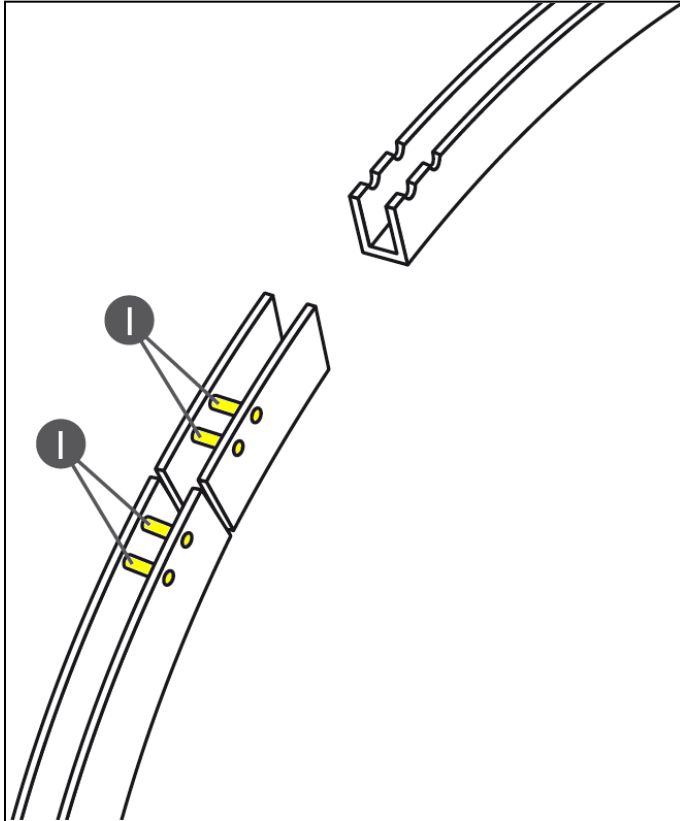
**WARNING!** When installing and whenever acting on the appliance, ensure that the power supply has been switched off.

For the installation of the spare-part, it is necessary to consult a qualified electrician.

Fix the pins to the channels through there apposite screws.

---

## FOR ARCO LED:



**WARNING!** When installing and whenever acting on the appliance, ensure that the power supply has been switched off.

For the installation of the spare-part, it is necessary to consult a qualified electrician.

Fix the pins to the channels through there apposite screws.