
TRIANGLE BRACKET SUPPORT



WHITE

RF02563



BLACK

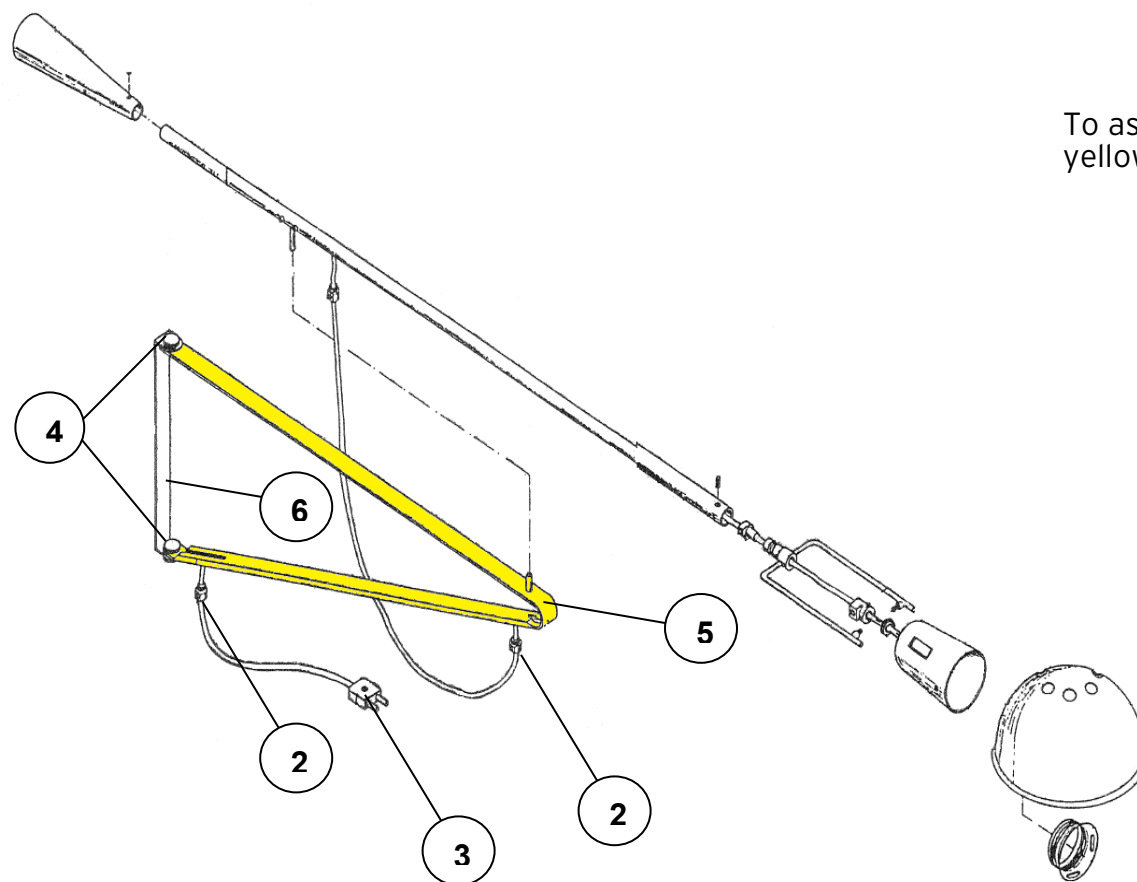
RF02564



GREY

10642

WARNING! When installing and whenever acting on the appliance, ensure that the power supply has been switched off. For the installation of the reflector assembly it is necessary to consult a qualified electrician.



To assemble the triangle stem support (highlighted yellow in the image), it is necessary:

- Disconnect the wires in the plug (3) in a way to free the cable from the plug;
- Remove the triangle support (5) from the wall attachment (6) by unfastening the upper and lower screws (4);
- Unfasten the two cable clamps (2) screws and slide the electrical cable out from the cable clamps on the triangle support.
- Replace the triangle support and re-assemble back all the components.