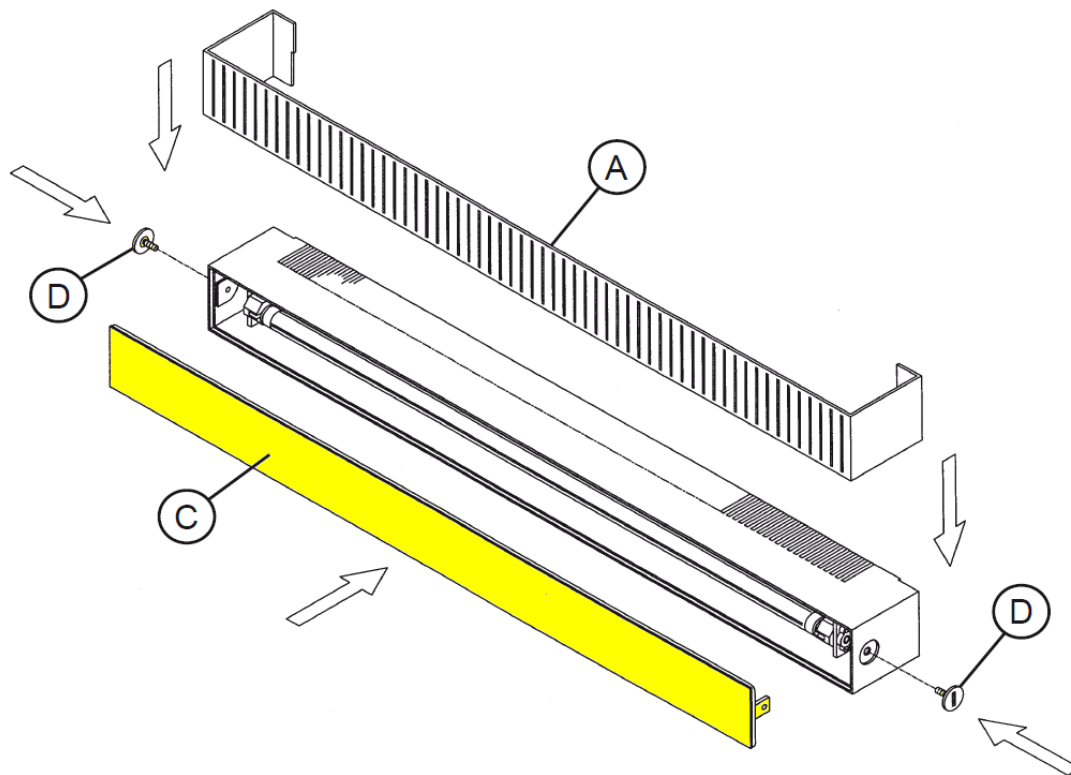

RF0180002

DIFFUSER COVER WITH SEAL GASKET



WARNING! When installing and whenever acting on the appliance, ensure that the power supply has been switched off.

For the installation of the spare-part, it is necessary to consult a qualified electrician.



Assemble the diffuser cover (C) utilizing the screws provided (D); In case you have the frieze (A), install it by sliding it on the lamp.