

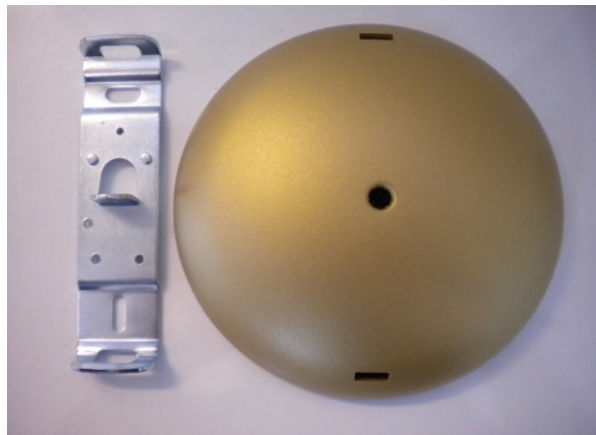
CEILING ROSE ASSEMBLY



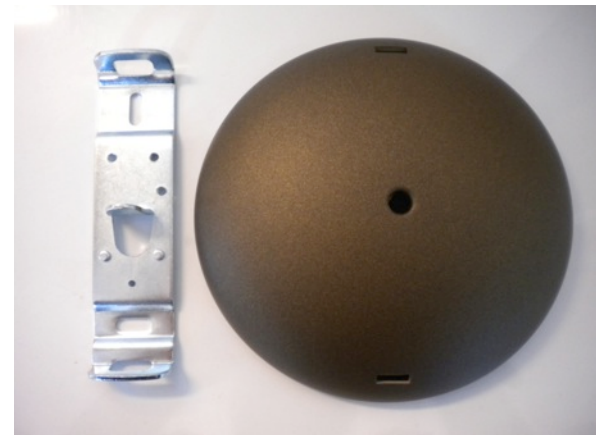
RAU369209



RFU641130



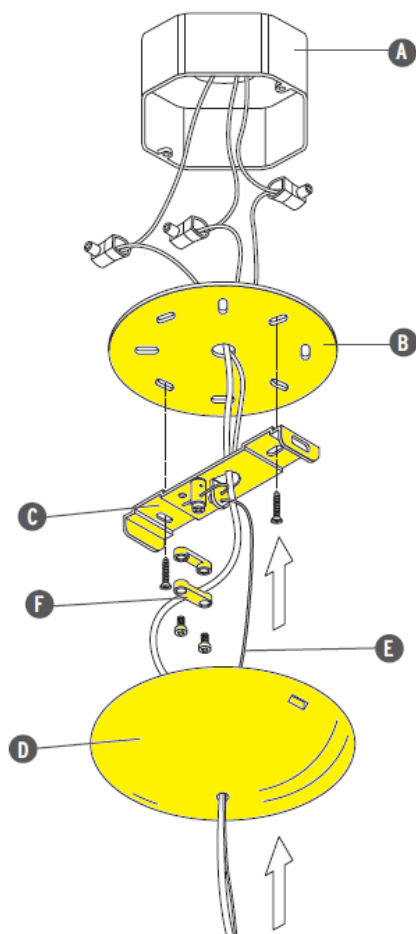
RFU641144



RFU641147

WARNING! When installing and whenever acting on the appliance, ensure that the power supply has been switched off.

For the installation of the spare-part, it is necessary to consult a qualified electrician.

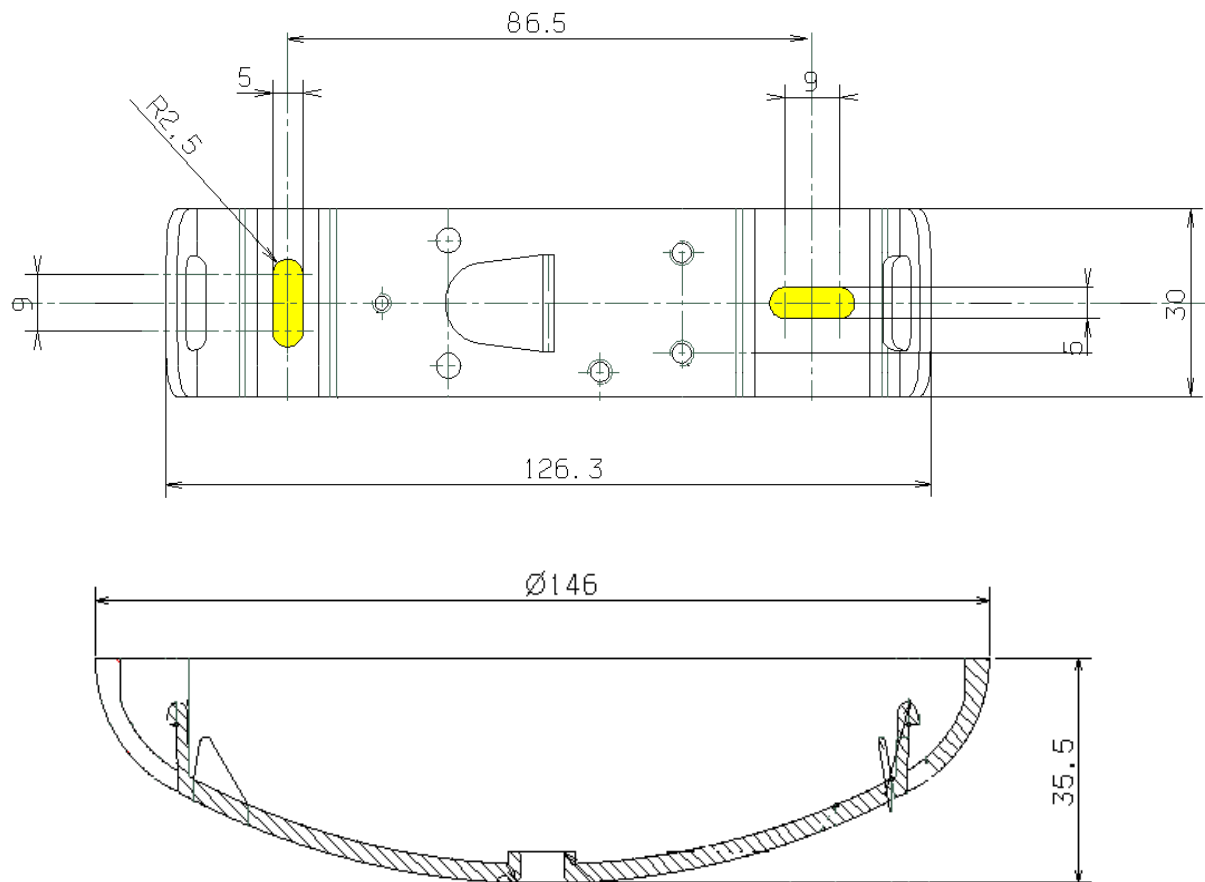


Insert the steel cable (E) through the two holes of the ceiling attachment stud, regulate the height of the steel suspension wire and fasten the locking screw. Cut off the excess wire.

Loosen screws of the cable clamp (F), regulate the height of the electrical cable and fasten back the screws of the cable clamp (F). Cut off the excess electrical cable and carry-out the electrical connection (Phase: black, Neutral: white, Earth: green; the white dashes of the wire indicates the neutral wire) in the junction box.

Ensure the correct installation of the mounting plate (B) and the ceiling attachment (C) to the junction box (A). Snap on the ceiling attachment, the ceiling rose (D).

TECHNICAL DRAWING ROSE ASSEMBLY



Attention!!! Dimensions in the present drawing are in mm.

FLOS U.S.A., Inc. 110 York Street, 5th Floor, Brooklyn, NY 11201 | Tel: 718-875-3472 | Email: e-shop@flosusa.com | <http://usa.flos.com>

This document is exclusive property of Flos S.p.A. and its affiliated companies.