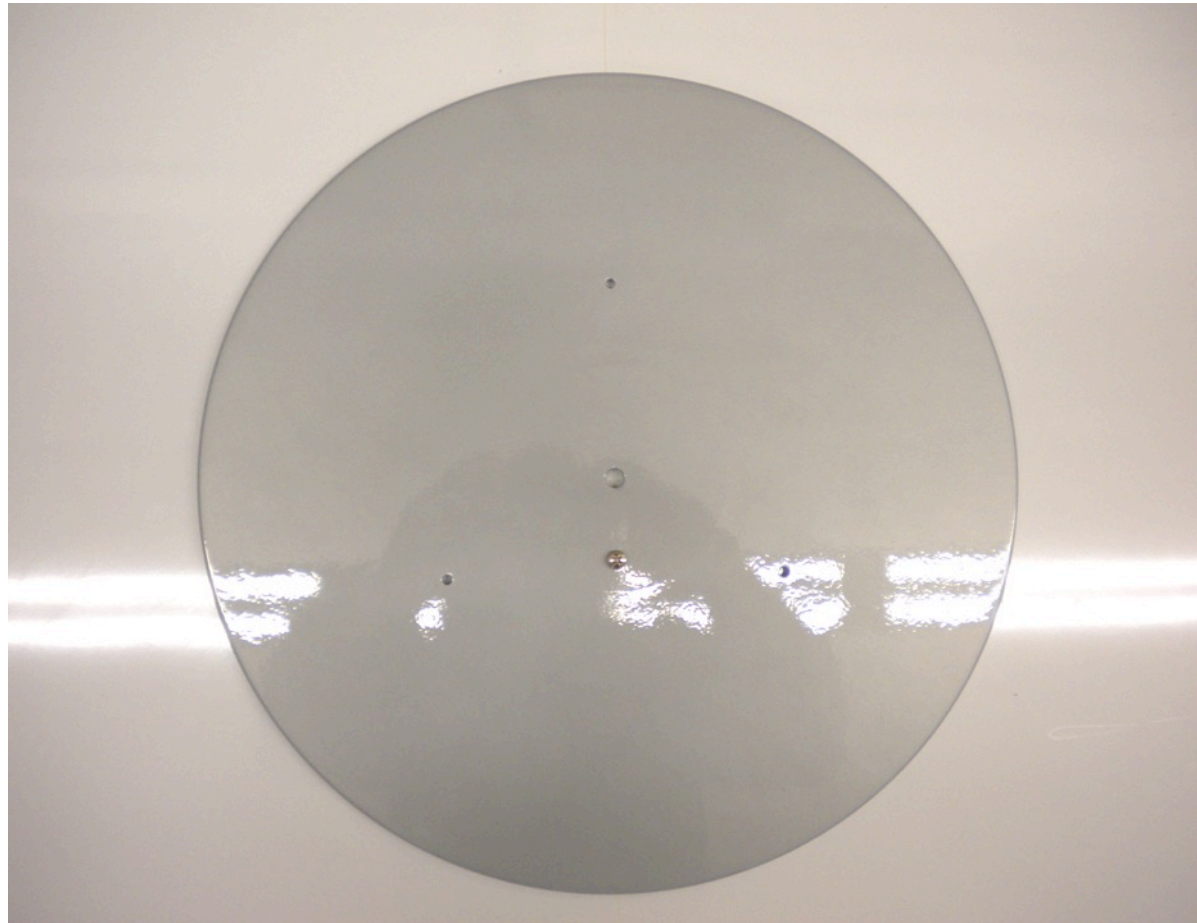


---

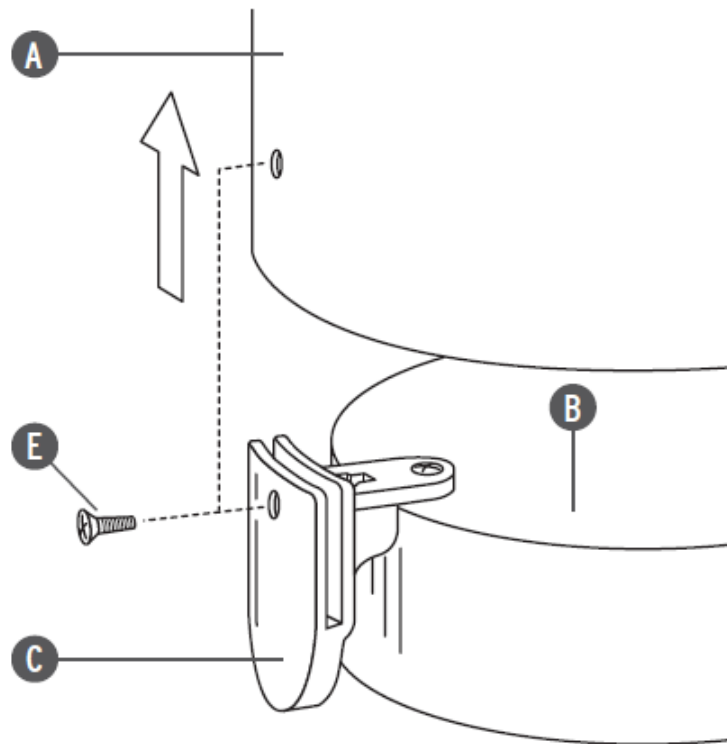
**FU632004**

**LAMP BASE**

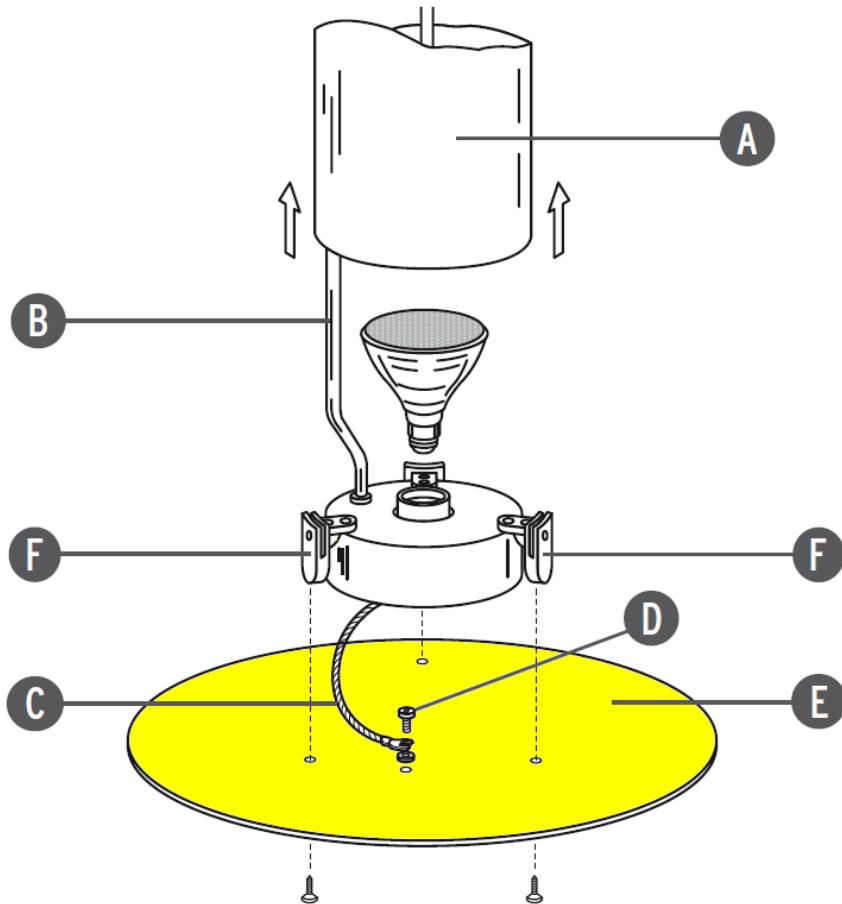


**WARNING!** When installing and whenever acting on the appliance, ensure that the power supply has been switched off.

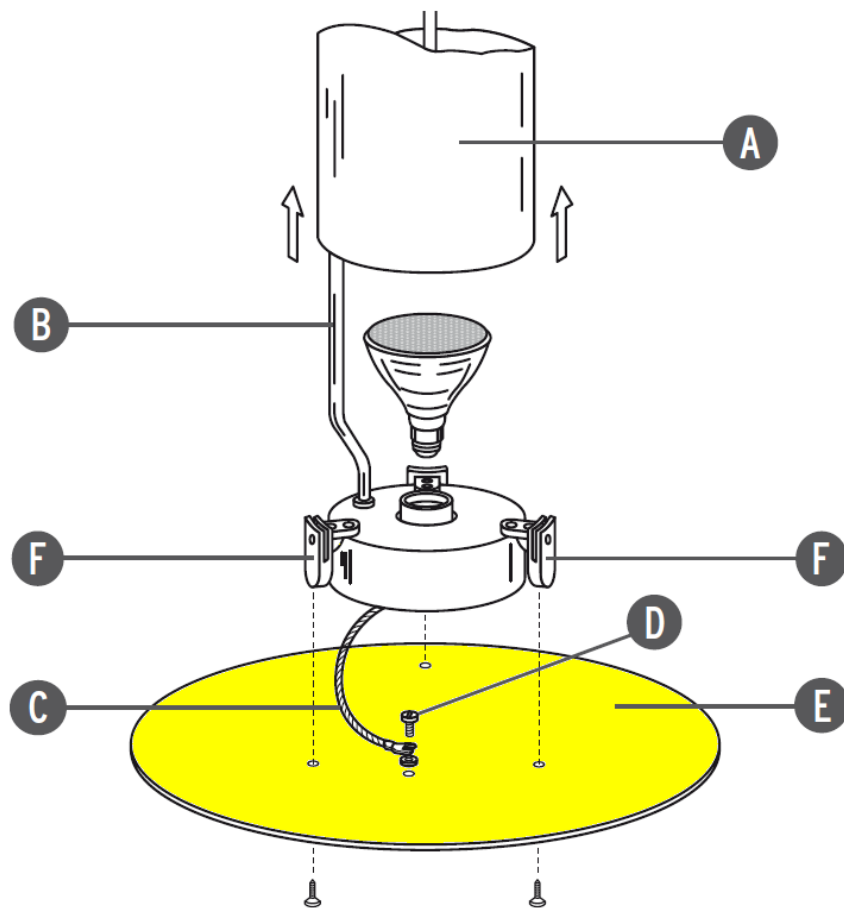
For the installation of the spare part, it is necessary to consult a qualified electrician.



Unfasten the three screws (E) from the support (C) and then lift-up the diffuser (A).

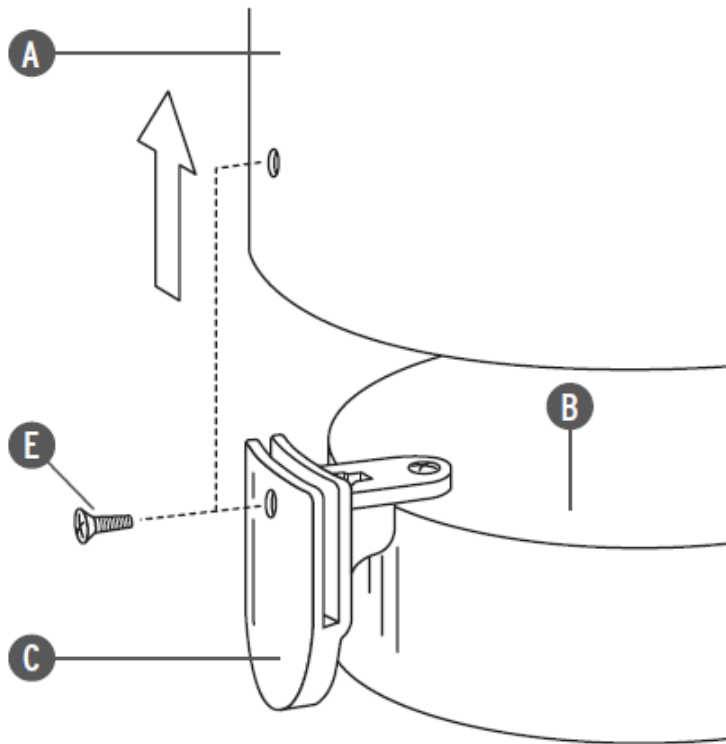


Remove the diffuser (A) from the metal stem (B).  
Unfasten the "PAR" bulb from the lower lampholder.  
Remove the base (E) from the supports (F) by unfastening the three self-threading screws.  
Unfasten the screw (D) and disconnect the earth wire (C).



Assemble now the new spare-part:

Connect the earth cable (C) to the base (e) by fastening the screw (D), ensuring to insert the cable between the screw and the notched washer; Assemble the base (E) to the supports (F) by fastening the three self-threading screws. Screw the "PAR" bulb into the lower bulbholder. Slide the diffuser (A) through the metal stem (B).



Insert the diffuser (A) into the metal structure (B) and through the openings in the supports (C). Utilize the tip of a screwdriver to help your self if necessary to align the holes in the diffuser to correspond with those present on the support. Assemble the diffuser (A) by fastening screws (E).