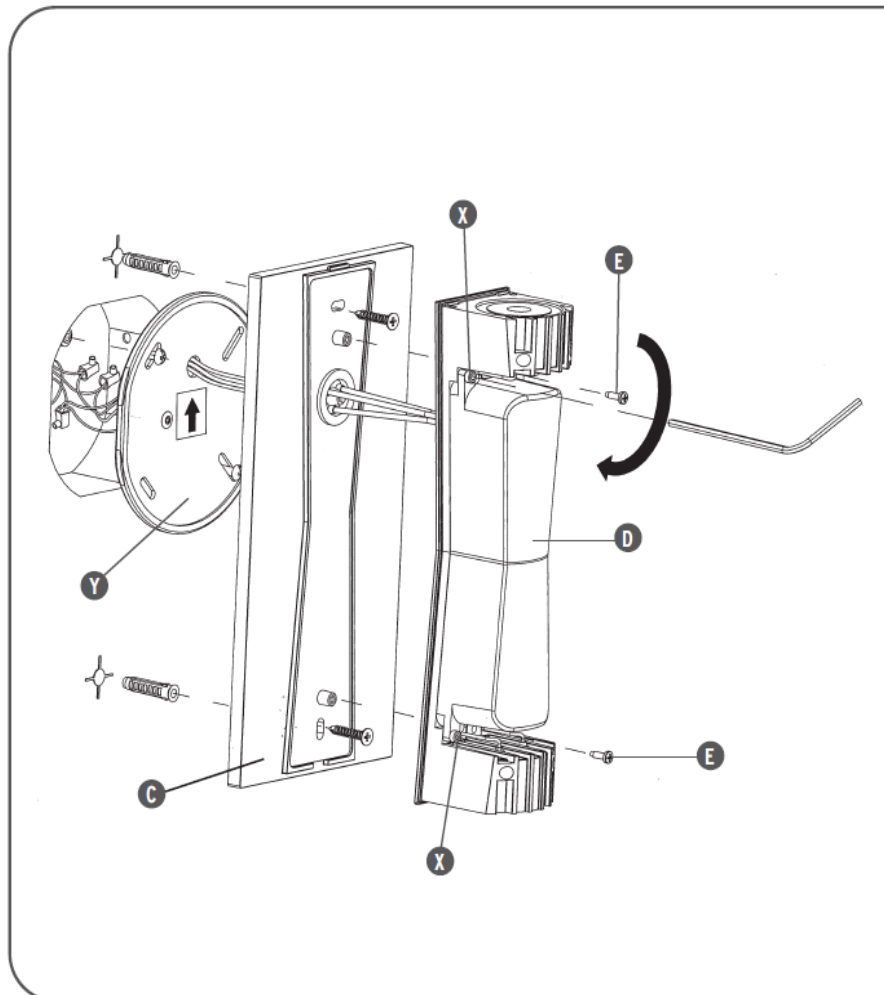


CLESSIDRA SHINY WHITE WALL ATTACHMENT AND INTERNAL BODY 20° & 40°



20° Version
FU158109

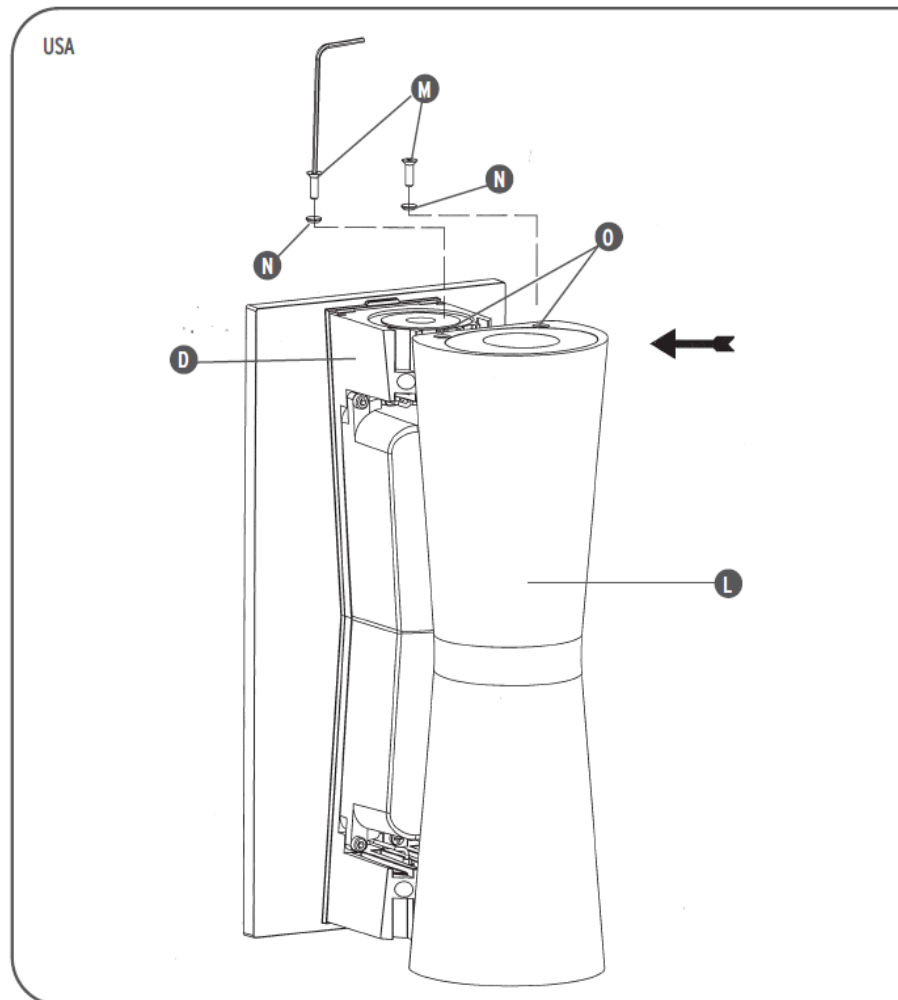
40° Version
FU158209



WARNING! When installing and whenever acting on the appliance, ensure that the power supply has been switched off. For the installation of the spare-part, it is necessary to consult a qualified electrician.

Separate the wall attachment (C) from the body (D) by unscrewing the screws(E); pass the power cables from the device through the central hole of the covering plate (Y) , then make the electrical connections in the Junction Box (White to white, black to black, green to earth); fix the covering plate (Y) to the Junction Box with the screws provided taking care to follow the direction of the arrow, then fix the attachment to the wall (C) with screws and rawl plugs;

Attention: use rawl plugs appropriate to the mounting medium. Remount the body (D) to the wall attachment (C) with the screws (E), then tighten down the four screws (X) with the tool provided.



Mount the external body (L) onto the internal body (D) with the screws (M) included taking care to put the washers (N) in the correct positions (O).