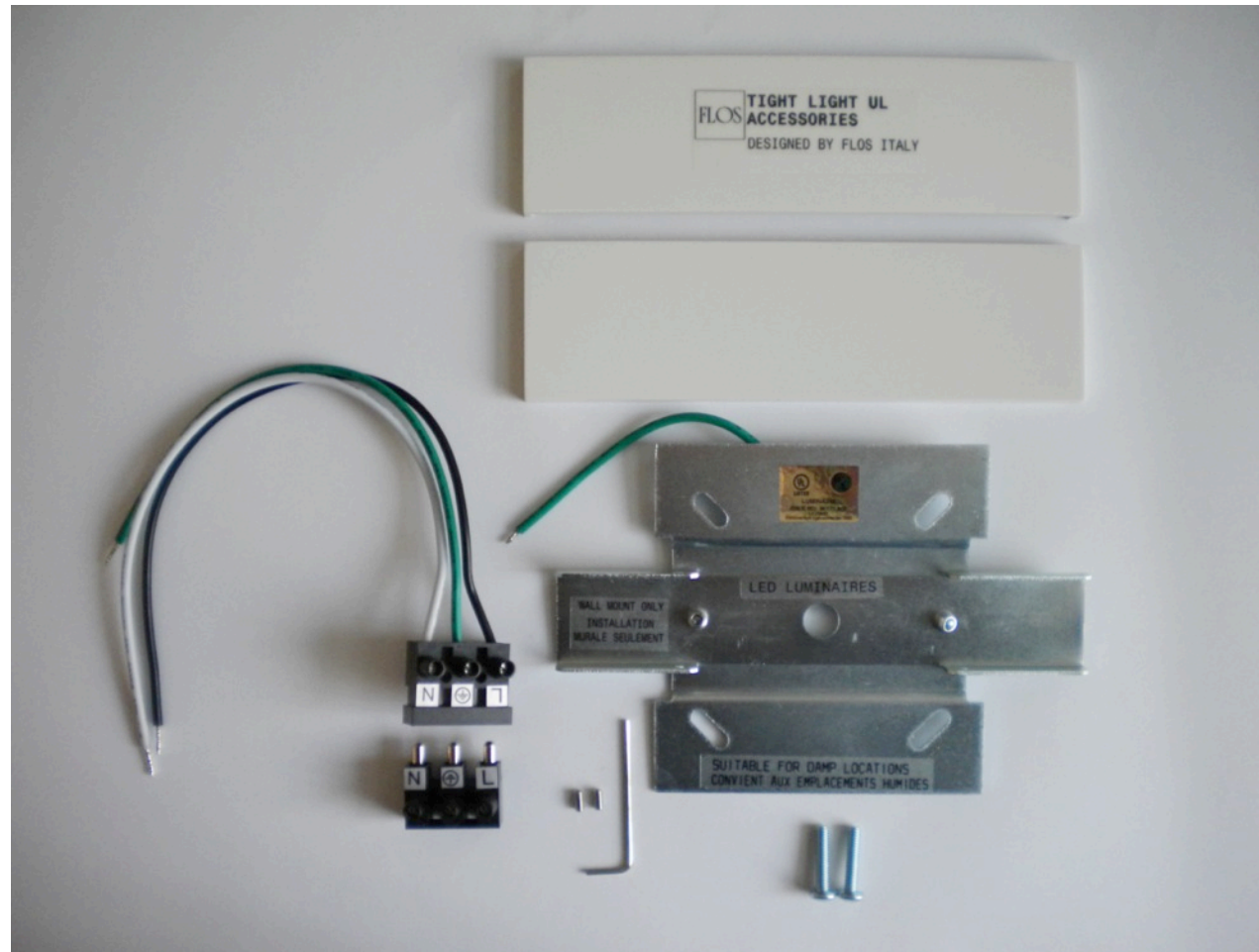


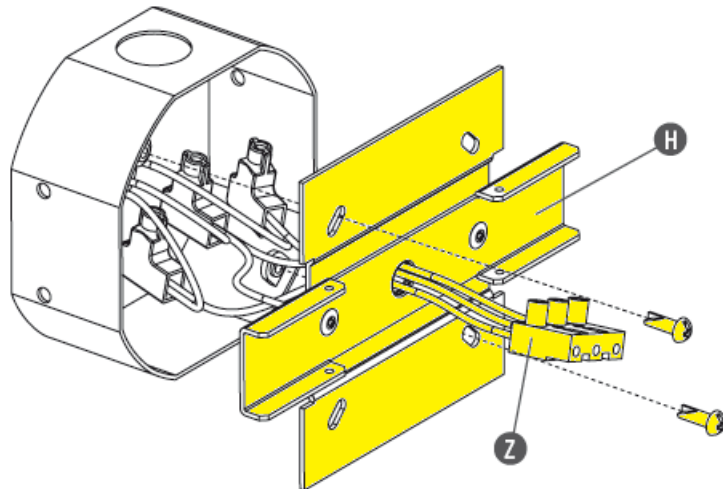
## FU001100

### ACCESSORY KIT AND WALL ATTACHMENT

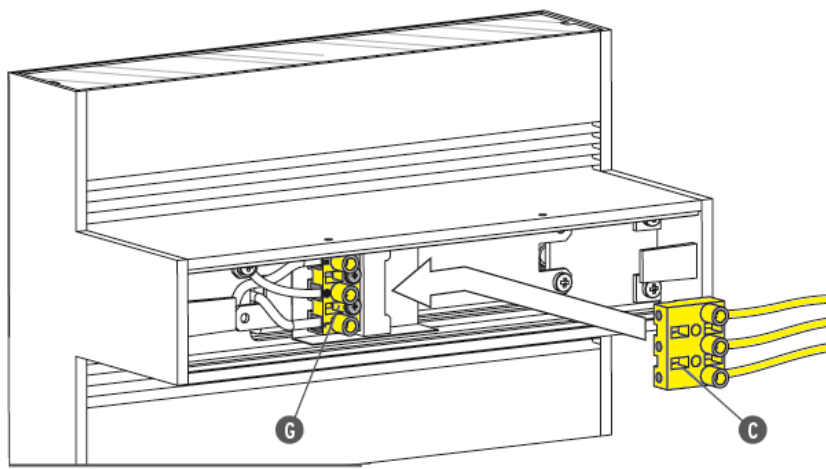


**WARNING!** When installing and whenever acting on the appliance, ensure that the power supply has been switched off.

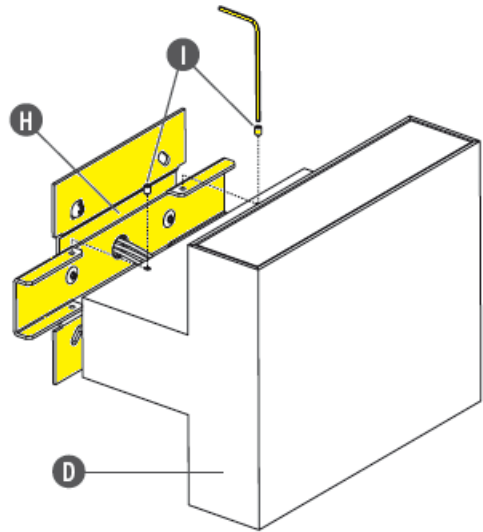
For the installation of the spare-part, it is necessary to consult a qualified electrician.



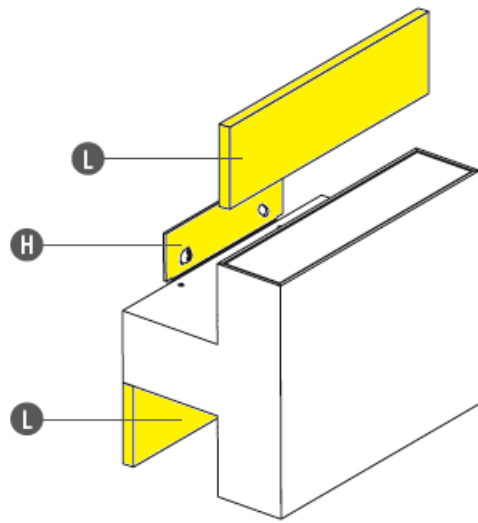
Pass the wires coming out from the wired terminal (Z) provided through the center hole of the mounting plate (H), make the electrical connections inside the Junction Box (white to white, black to black, green to ground) and then secure the mounting plate to the Junction Box with the screws provided.



Connect the female connector (C) to the male connector (G).



Position the lamp body (D) onto the mounting plate (H) and then secure it by tightening the dowel screws (I);  
**REMARKS!!!** Use the dowel screws provided in the "USA Accessories".



Apply the magnetic friezes (L) (2 friezes for the Tight Light model, 1 frieze for the Long Light model) over the parts of the mounting plate that remain exposed (H).