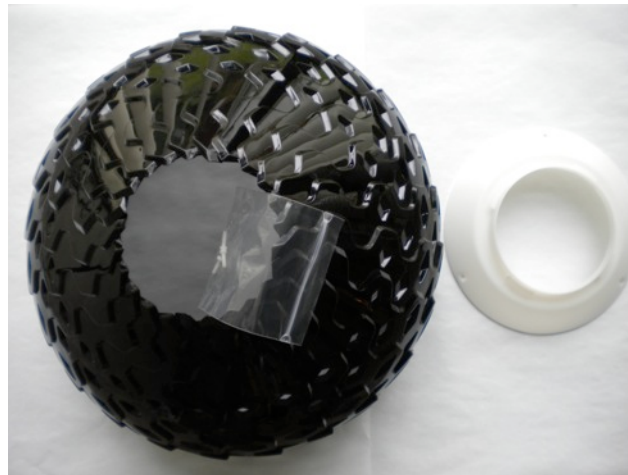

TATOU: F/S2 ASSEMBLY DIFFUSER



F7755009

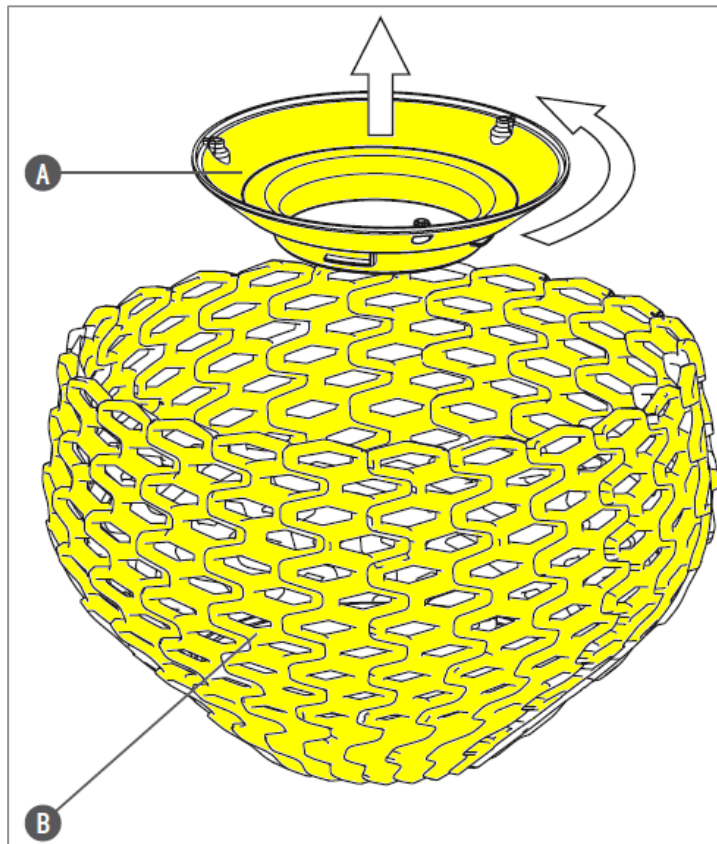


F7755030

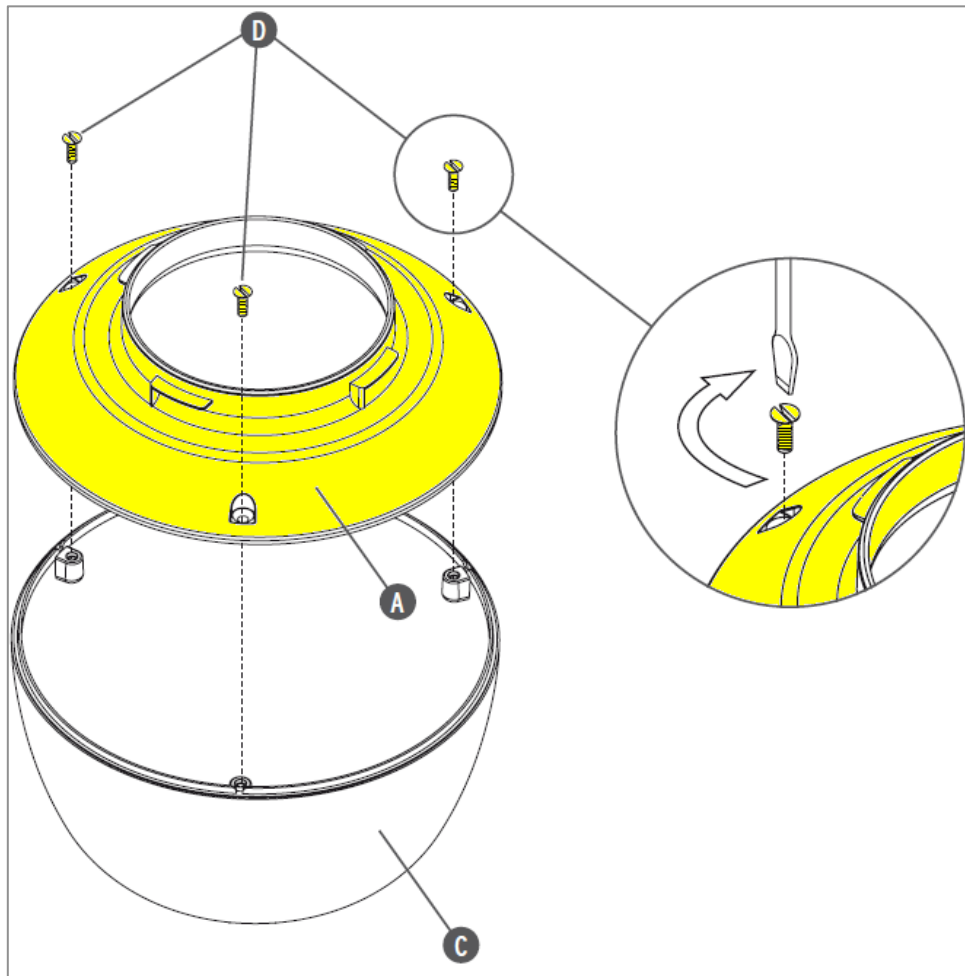


F7755048

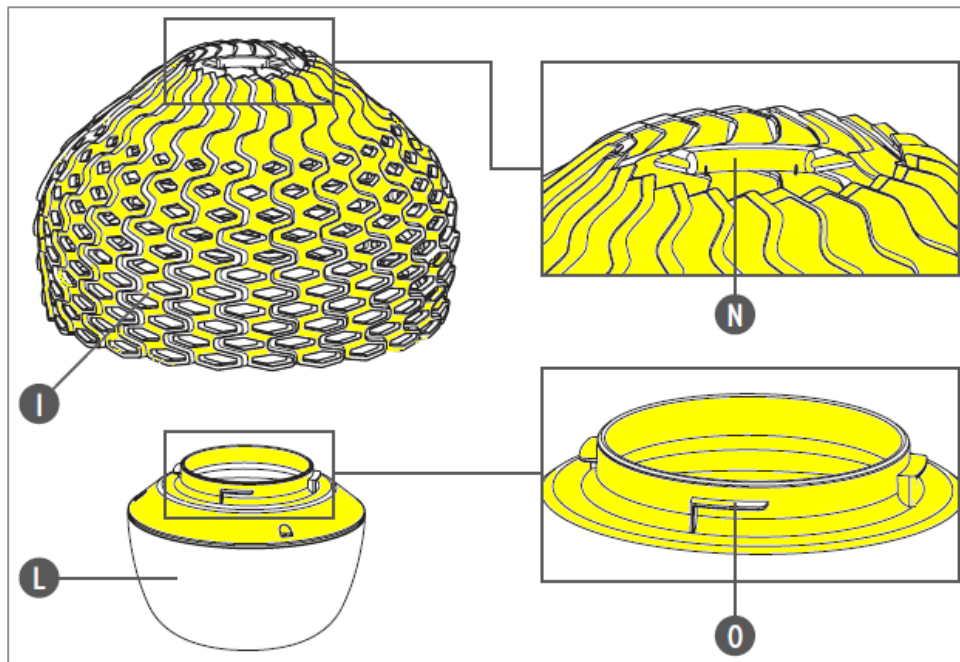
WARNING! When installing and whenever acting on the appliance, ensure that the power supply has been switched off. For the installation of the spare-part, it is necessary to consult a qualified electrician.



Disassemble the reflector ring (A) from the external diffuser (B) by rotating it slightly anticlockwise.

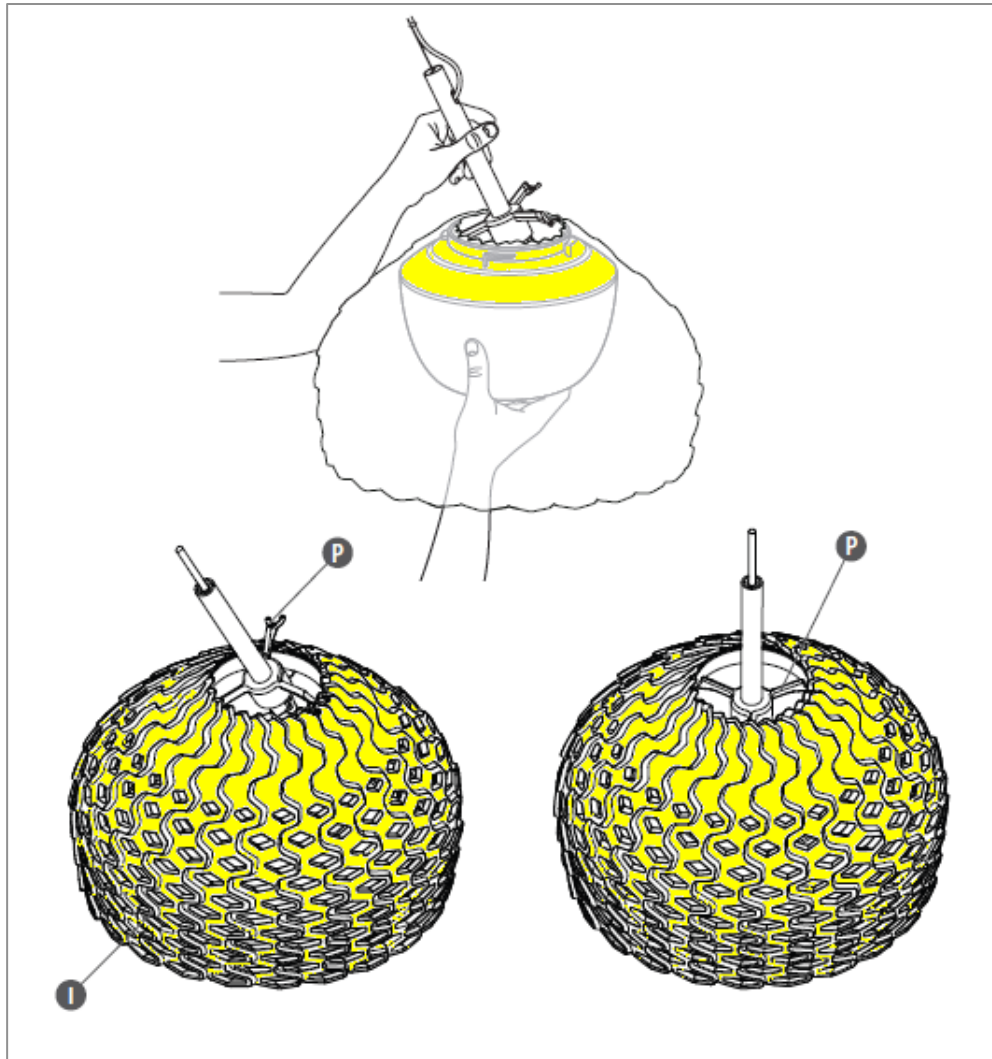


Assemble the reflector ring (A) on the internal diffuser (C) by fastening the three screws (D). Please utilize flat blade screwdriver.



Assemble the external diffuser (I) onto the reflector ring (N) being careful to make the three hooks (O) present on the reflector ring (O) correspond with the relative housings (L) present on the external diffuser (I).

At this point, lock the external diffuser by rotating it slightly clockwise.



Fit the diffuser (I) onto the supports of the three arms (P), by tilting the supports as shown in the image and inserting the lamp-bulb first and then inserting one arm through the lamp hole.