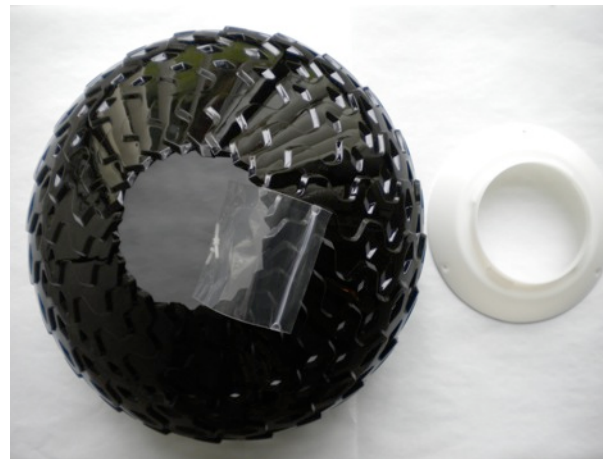

T1 - S1 ASSEMBLY DIFFUSER



F7751009

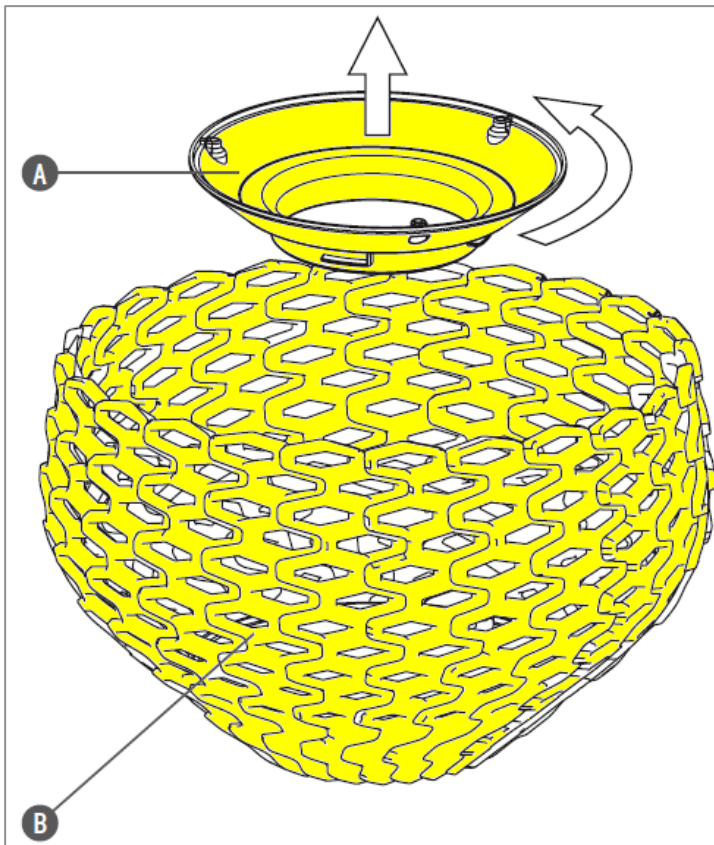


F775103

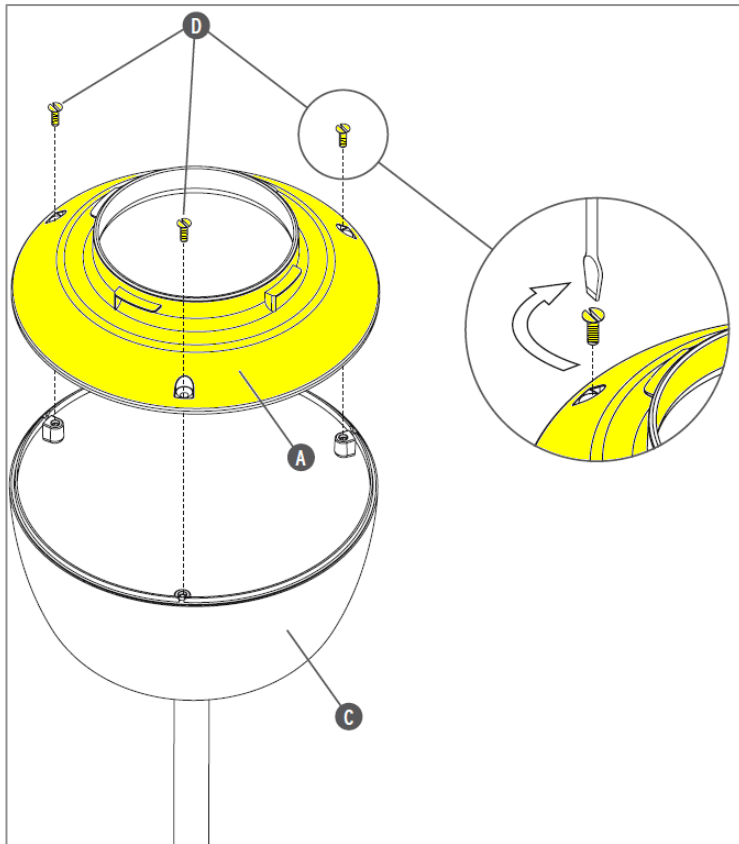


F775104

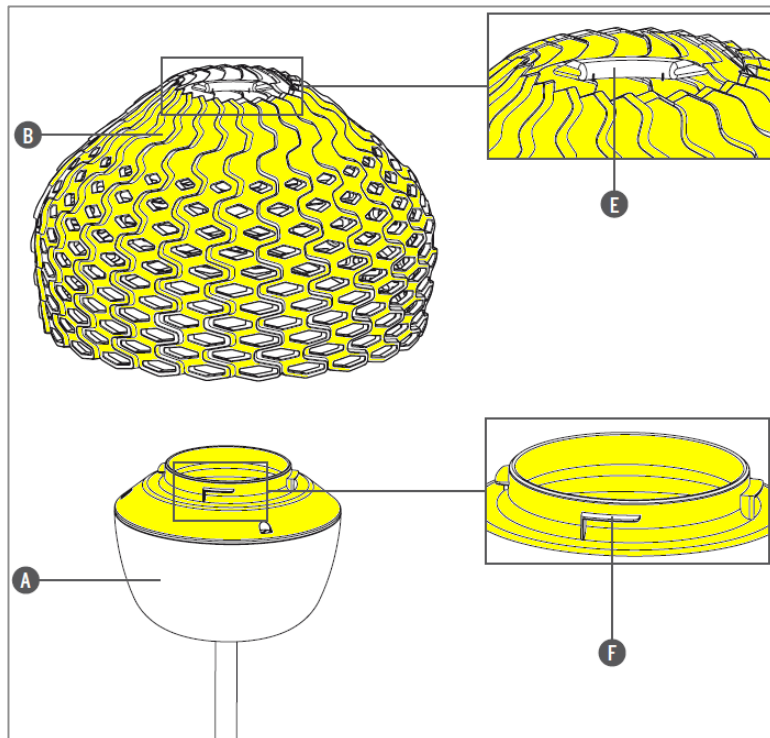
WARNING! When installing and whenever acting on the appliance, ensure that the power supply has been switched off. For the installation of the spare-part, it is necessary to consult a qualified electrician.



Disassemble the reflector ring (A) from the external diffuser (B) by rotating it slightly anticlockwise.



Assemble the reflector ring (A) onto the internal diffuser (C) with the three screws (D) provided (utilize a flat screwdriver).



Insert the lamp bulb.

Assemble the external diffuser (B) onto the reflector ring (A) being careful to make the three hooks (F) present on the reflector ring (A) correspond with the relative housings (E) present on the external diffuser (B).

At this point, lock the external diffuser by rotating it slightly clockwise.