

# FLOS

**F6606000**

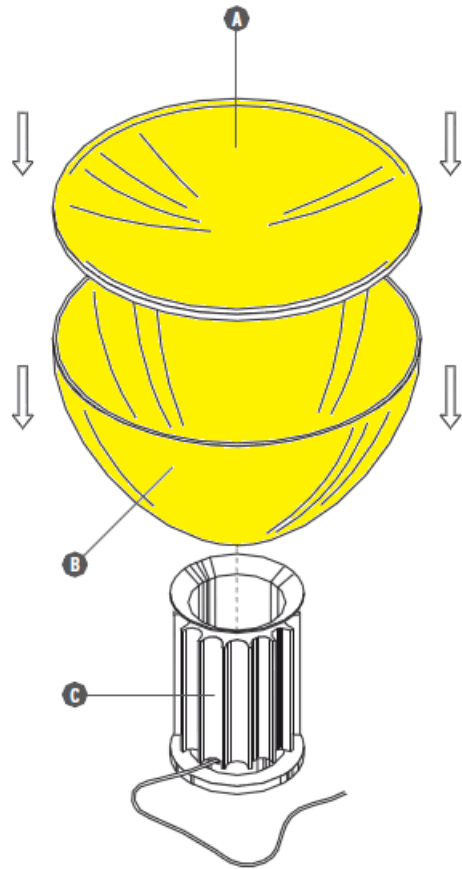
**GLASS DIFFUSER AND REFLECTOR**



**FLOS U.S.A., Inc.** 110 York Street, 5th Floor, Brooklyn, NY 11201 | Tel: 718-875-3472 | Email: [e-shop@flosusa.com](mailto:e-shop@flosusa.com) | <http://usa.flos.com>

This document is exclusive property of Flos S.p.A. and its affiliated companies.

**WARNING!** When installing and whenever acting on the appliance, ensure that the power supply has been switched off.  
For the installation of the spare-part, it is necessary to consult a qualified electrician.



Position the diffuser (B) and the reflector (A) on the base (C).