

## KELVIN LED TABLE/FLOOR BASE



**F3322030A**



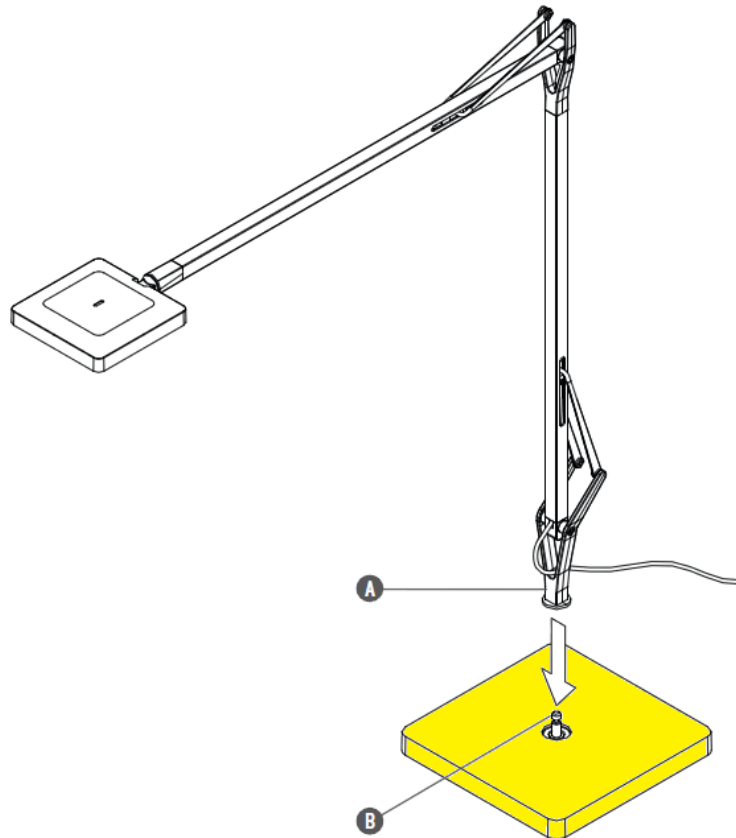
**F3322009A**



**F3322033A**



**F3322057A (for  
Table version)**

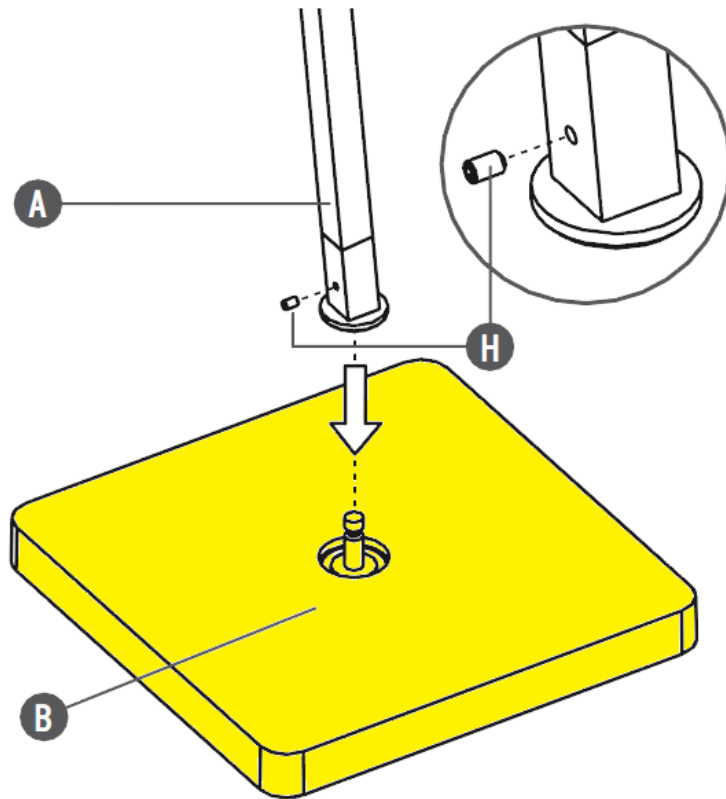


## TABLE

**WARNING!** When installing and whenever acting on the appliance, ensure that the power supply has been switched off.

For the installation of the spare-part, it is necessary to consult a qualified electrician.

Insert the support (A) of the device into the pin (B) of the base.



## FLOOR

**WARNING!** When installing and whenever acting on the appliance, ensure that the power supply has been switched off.

For the installation of the spare-part, it is necessary to consult a qualified electrician.

Insert the device support (A) into the pin (B) of the base and fasten the safety pin screw (H) by utilizing an Allen key hex 1,5mm.

**REMARK!** Be careful whilst tightening the safety pin screw to not scratch the base of the device.