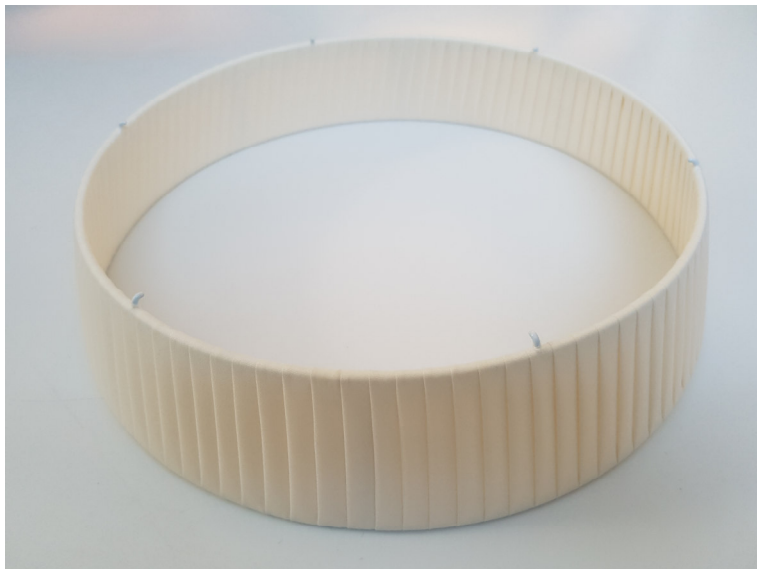


## SOFT IVORY CROWN & RATTAN CROWN



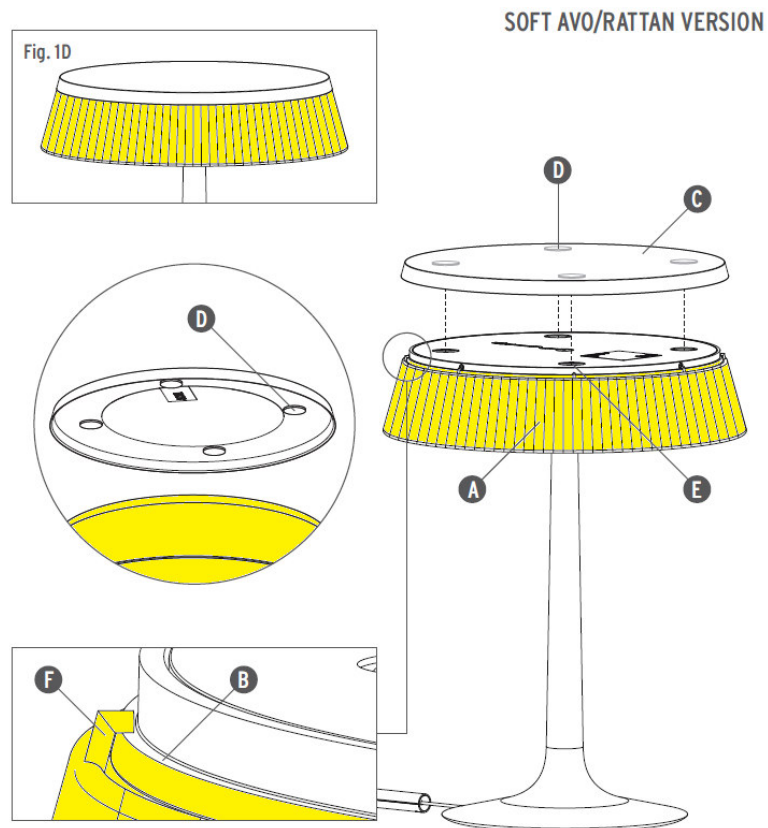
**F1033007**



**F1033088**

**WARNING!** When installing and whenever acting on the appliance, ensure that the power supply has been switched off.

For the installation of the spare-part, it is necessary to consult a qualified electrician.



Rest the lampshade's six hooks (A) (Optional) on the device body's profile (B); mount the TOP COVER (C) on the device body making sure you accurately position the four magnet disks (D) in their housings in the body (E) so that the TOP COVER (C) on completion of the assembly uniformly adheres to the body's profile (detail Fig.1D).