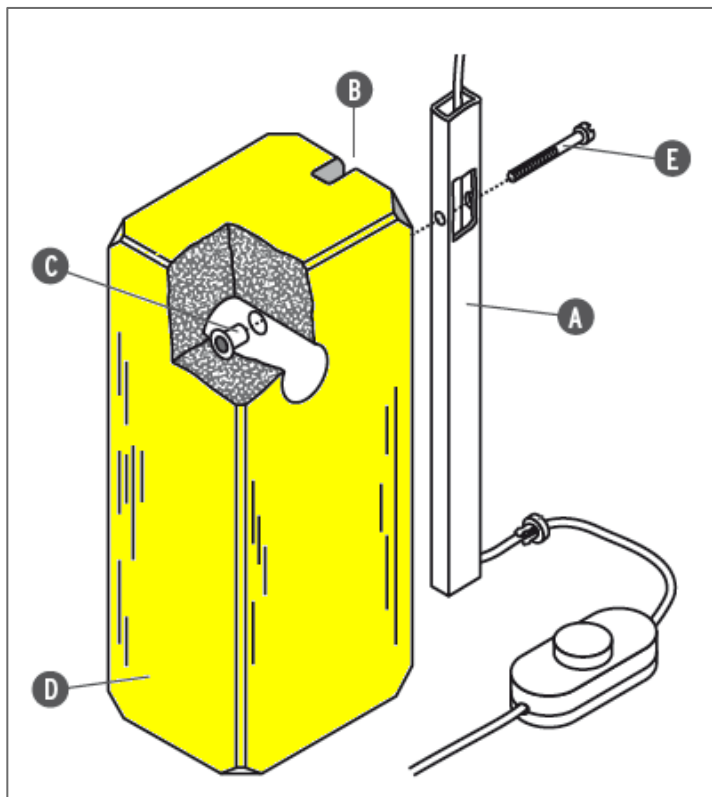

F0310000

MARBLE BASE



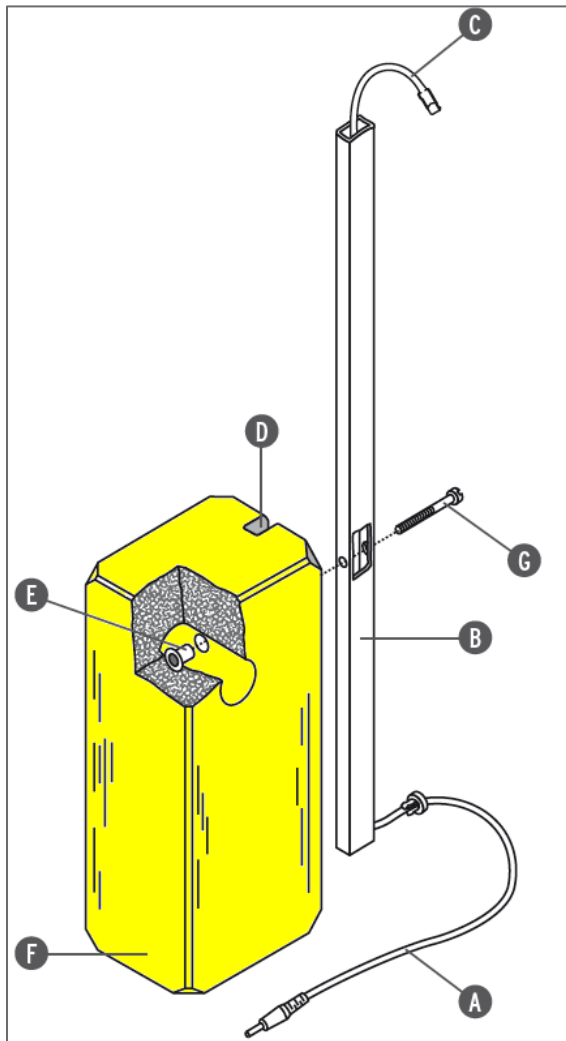
FOR ARCO HALOGEN:



WARNING! When installing and whenever acting on the appliance, ensure that the power supply has been switched off. For the installation of the spare-part, it is necessary to consult a qualified electrician.

Position the channel (A) in the housing (B); insert the joint (C) into the hole in the base (D); fix the channel (A) to the base (D) with the screw (E) being careful not to tear/mark the cable with the head of the screw.

FOR ARCO LED:



WARNING! When installing and whenever acting on the appliance, ensure that the power supply has been switched off.

For the installation of the spare-part, it is necessary to consult a qualified electrician.

Insert the plug cable (A) through the channel (B) until the connector (C) comes out from the upper part of the channel, as shown in the image.

Place the channel (B) in the housing (D), insert the joint (E) into the hole in the base (F), fix the channel (B) to the base (F) with the screw (G) being careful to not damage the cable with the head of the screw.