



**F0254000A**  
**NOCTAMBULE**  
**LOW CYLINDER**

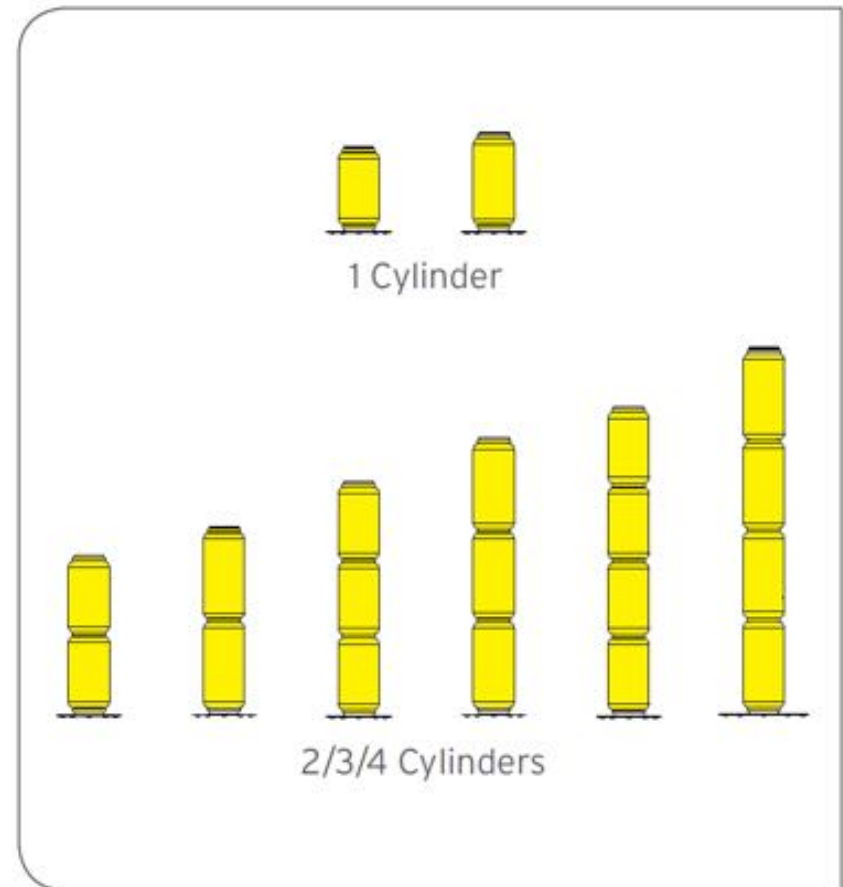
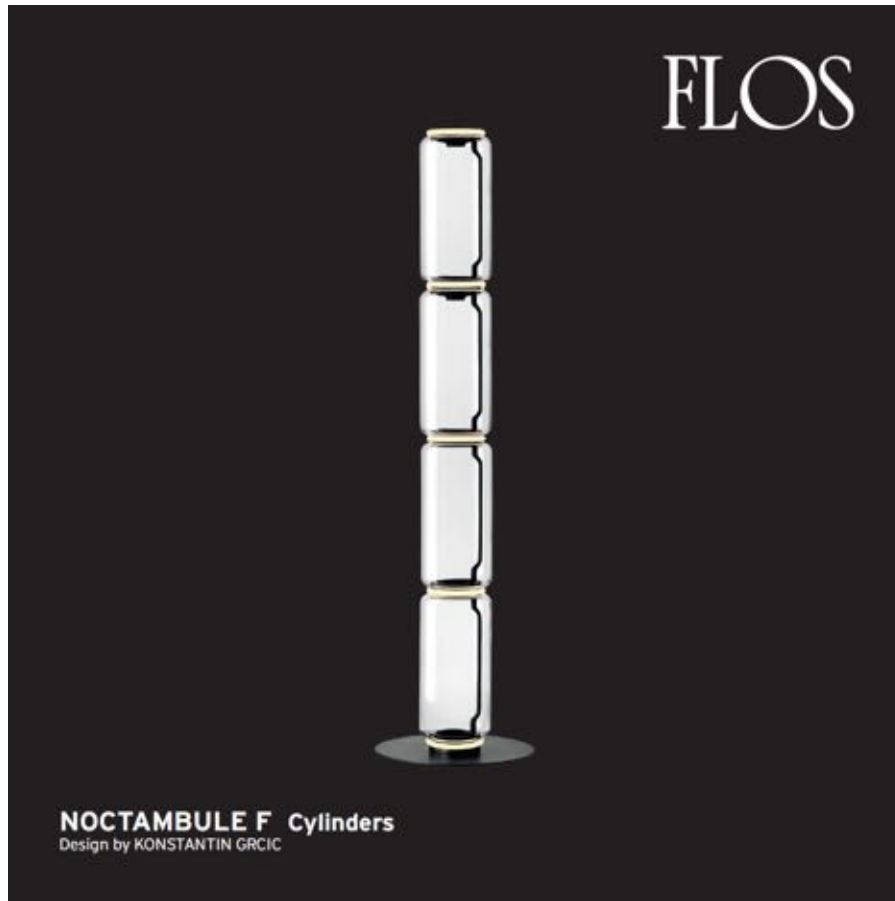


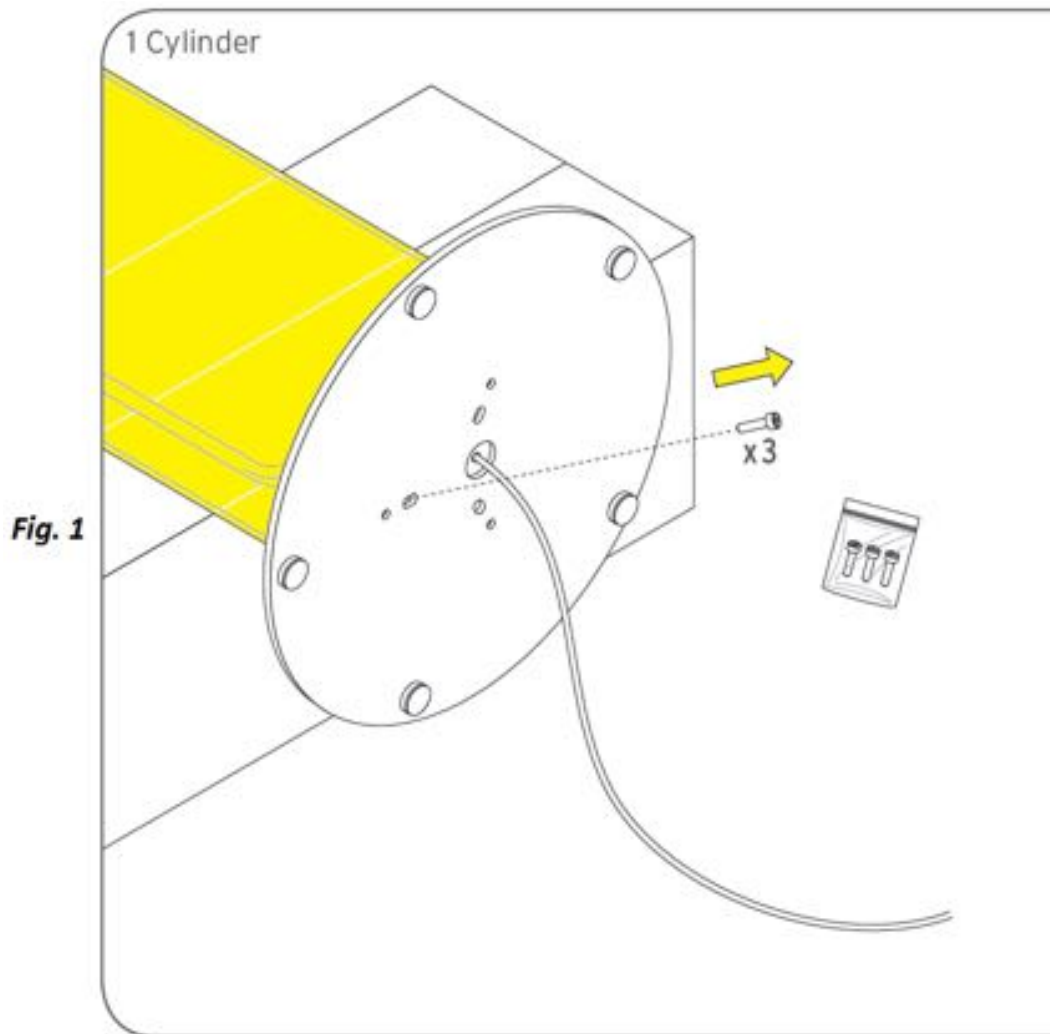
**F0257000A**  
**NOCTAMBULE**  
**HIGH CYLINDER**

## INDEX

- **NOCTAMBULE F** ..... **From Pag. 3 to Pag. 11**
- **NOCTAMBULE S** ..... **From Pag. 12 to Pag. 19**

## NOCTAMBULE F INSTRUCTIONS



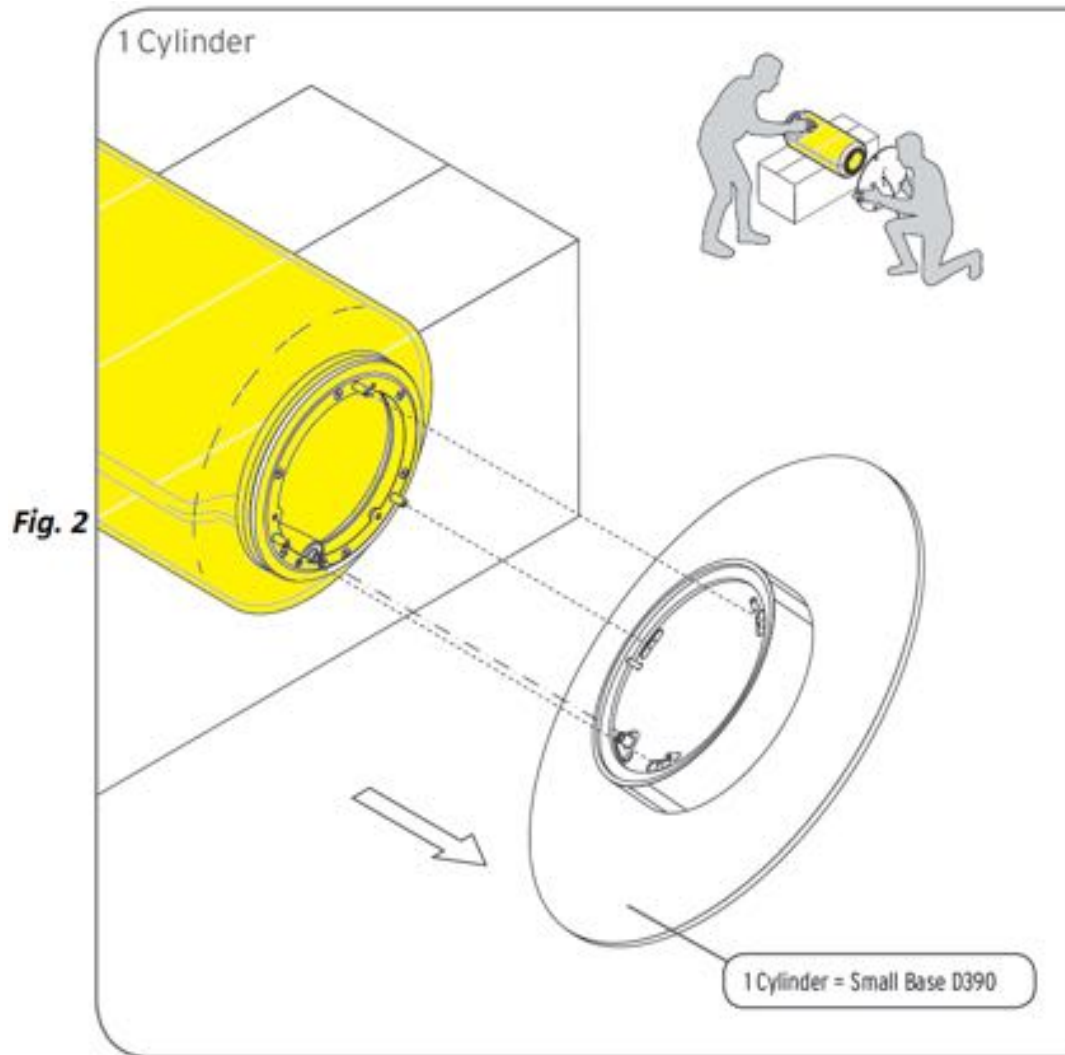


**WARNING!** When installing and whenever acting on the appliance, ensure that the power supply has been switched off. For the installation of the spare-part, it is necessary to consult a qualified electrician.

Disconnect the dimmer from the electrical cable.

Carefully place the lamp in a horizontal position by resting it on the cylinder packages.

Unscrew the screws from the base.



Remove the base from the cylinder.

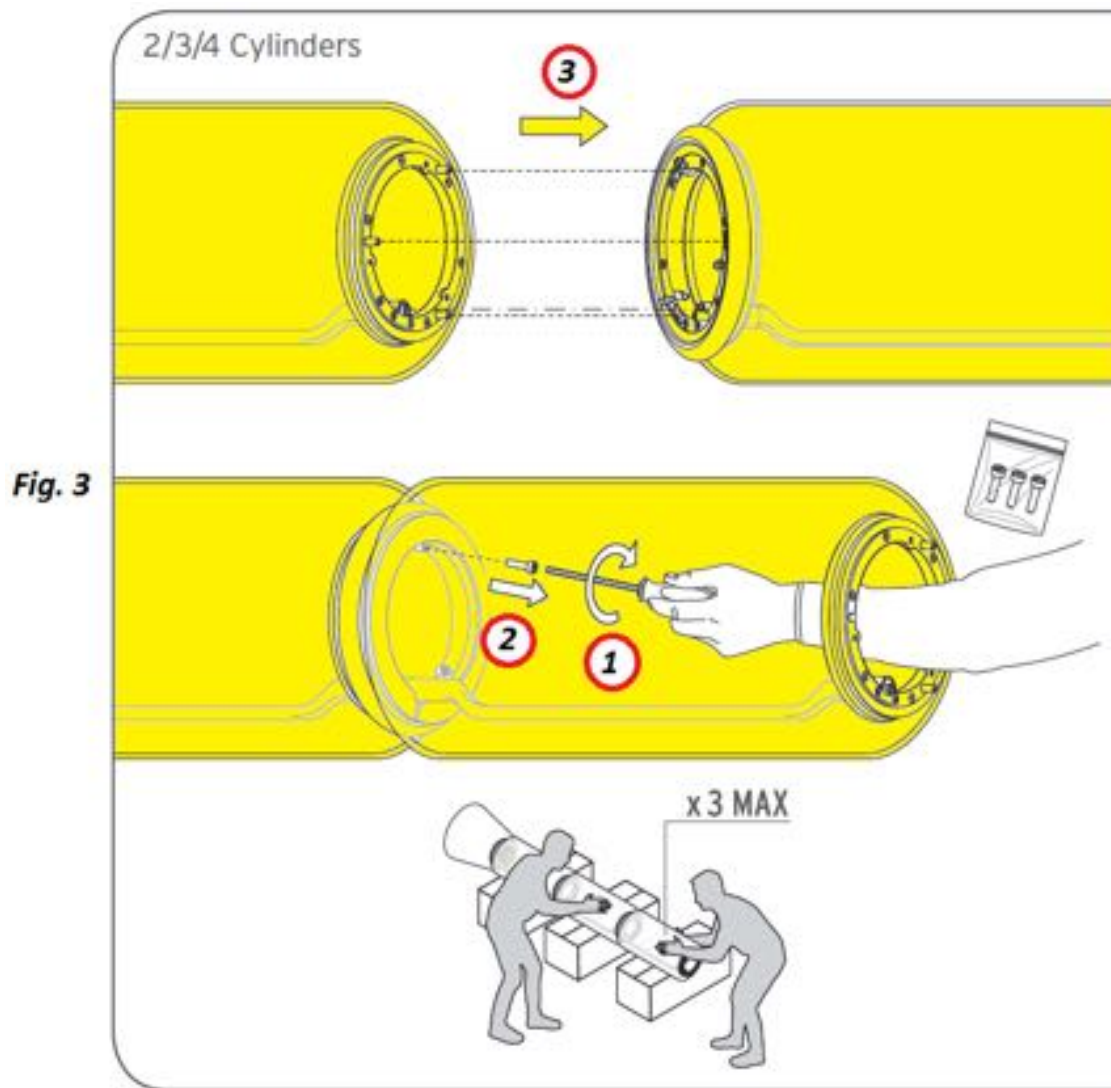


Fig. 3

**Figure 3**

Unscrew the screws from the cylinder (1-2).

Disconnect the cylinder from the other one (3).

Replace the old cylinder with the new one.

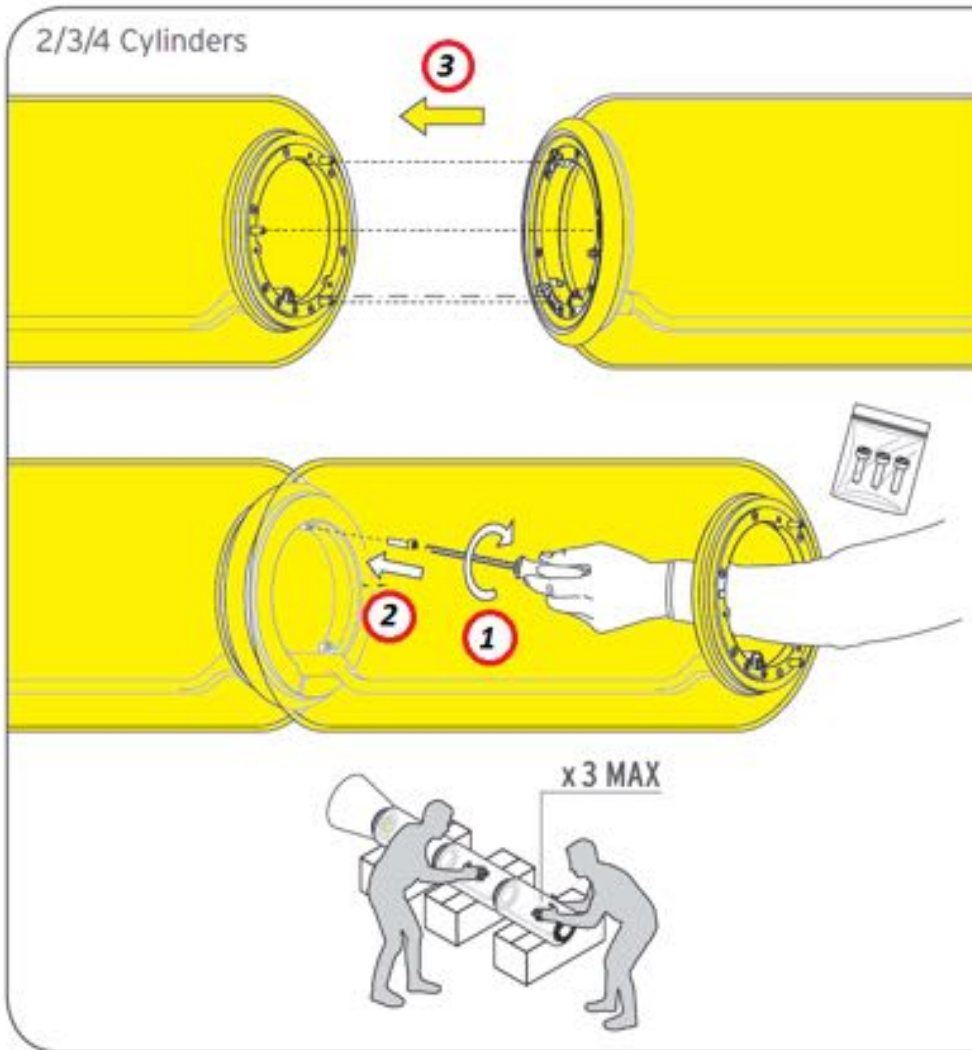
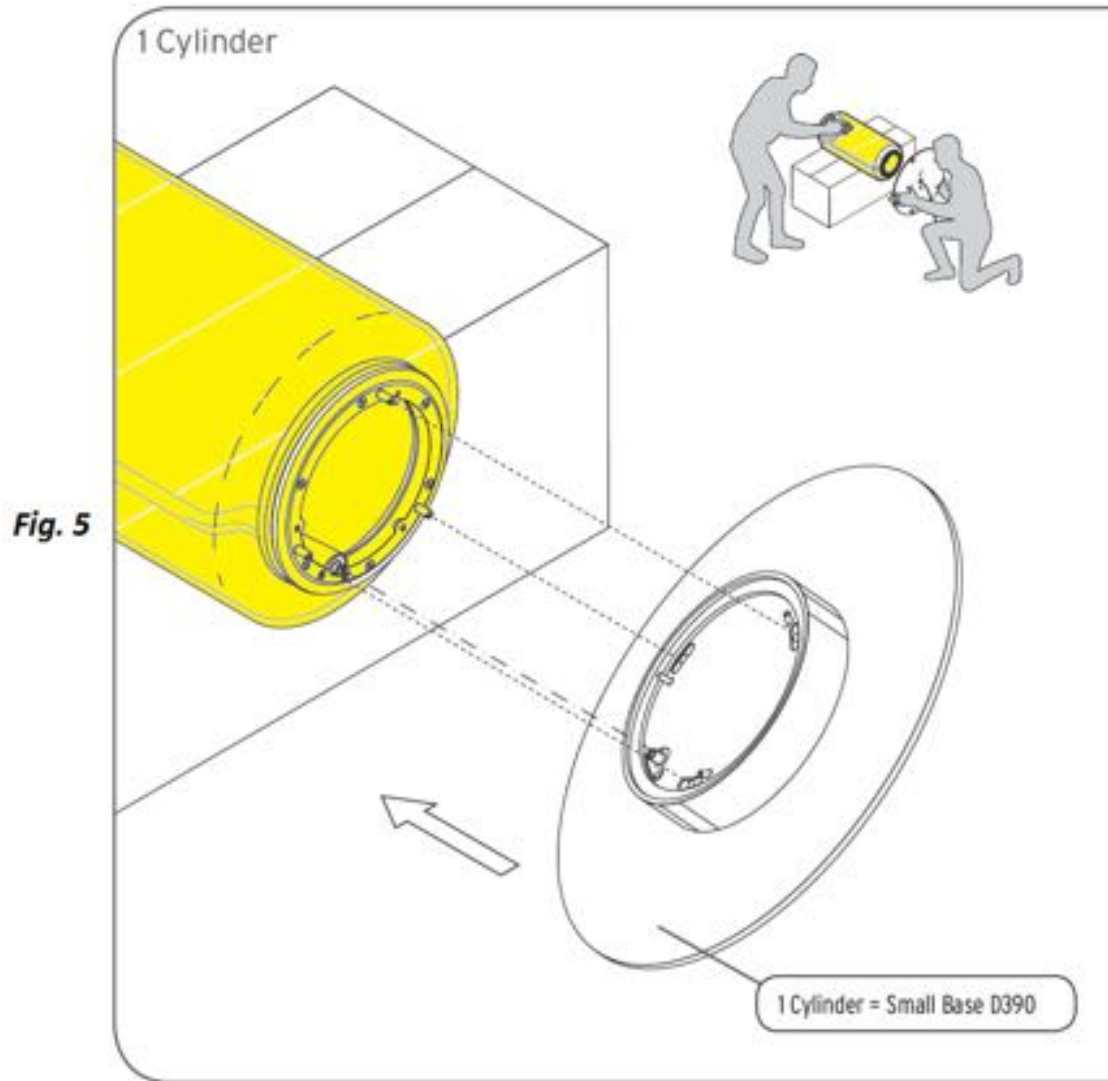


Fig. 4

**Figure 4**

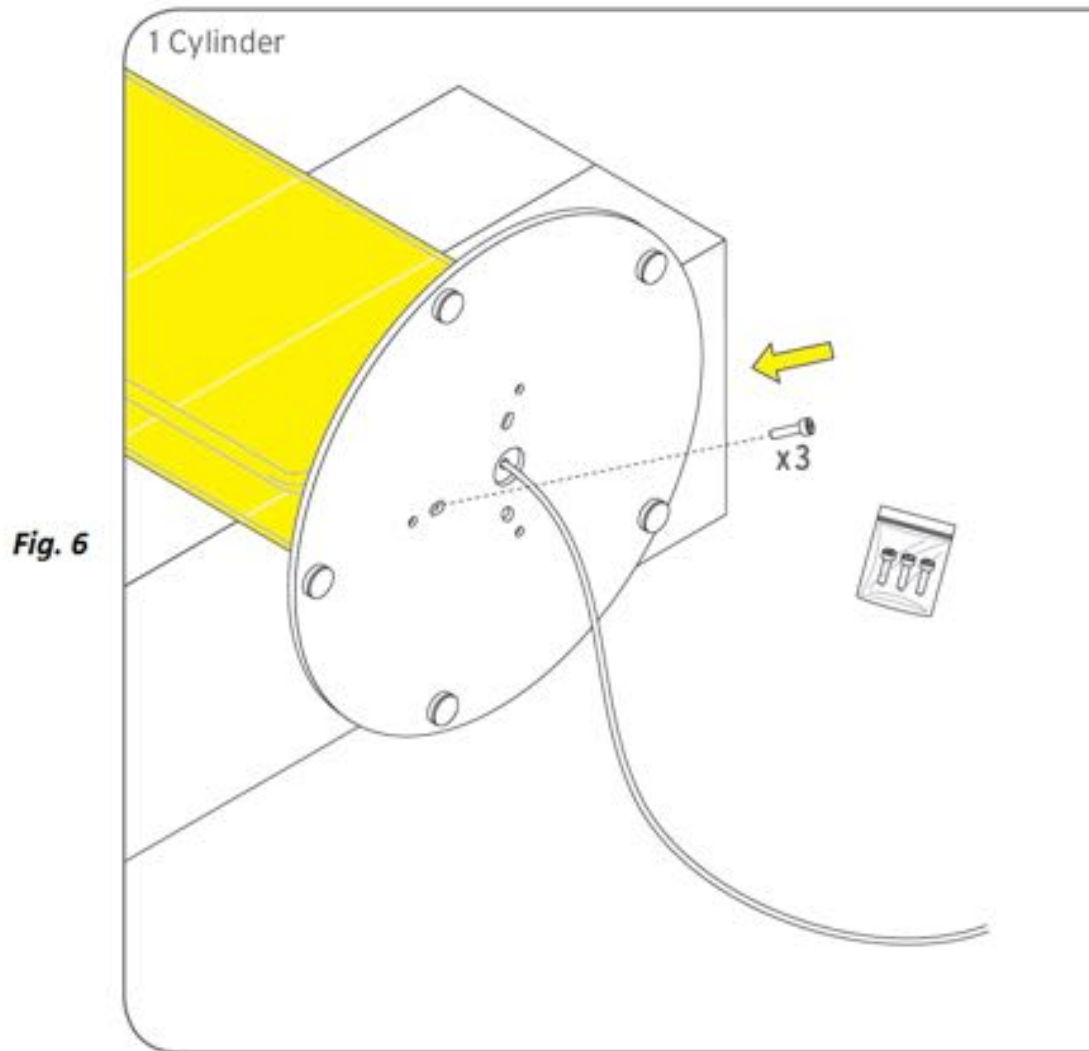
Connect the cylinder to the other one (3).

Tighten the screws to the cylinder (1-2).



Connect the base to the cylinder .

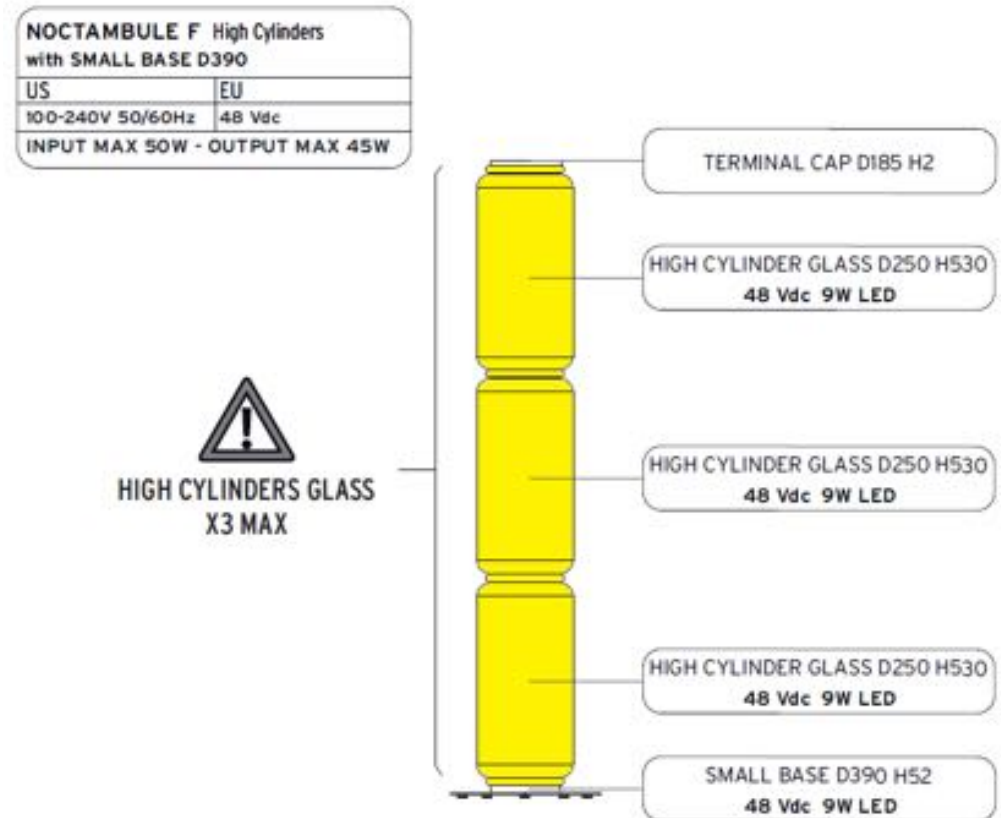
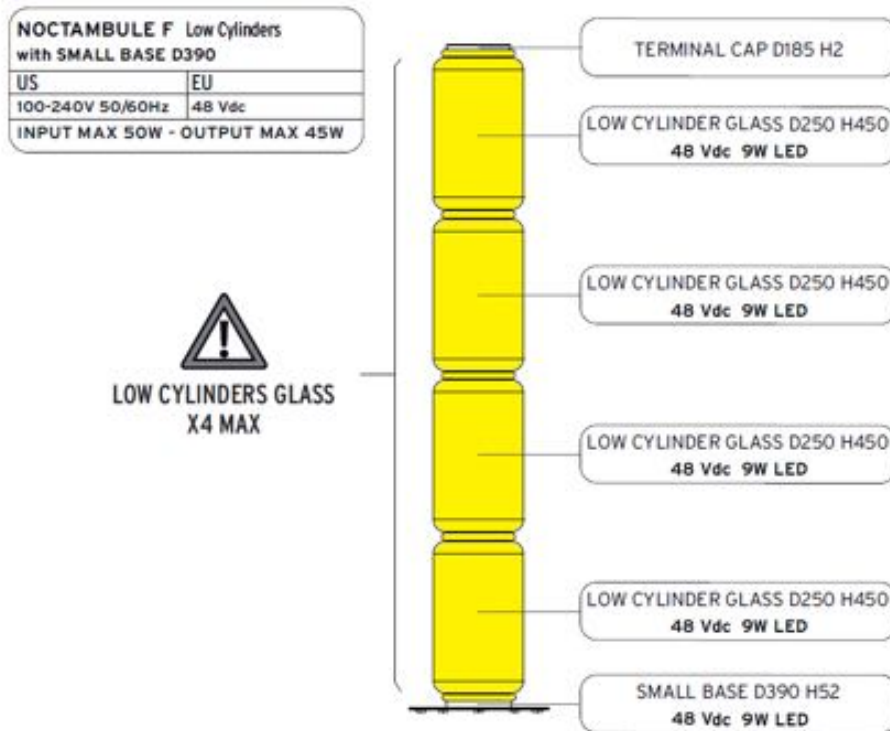




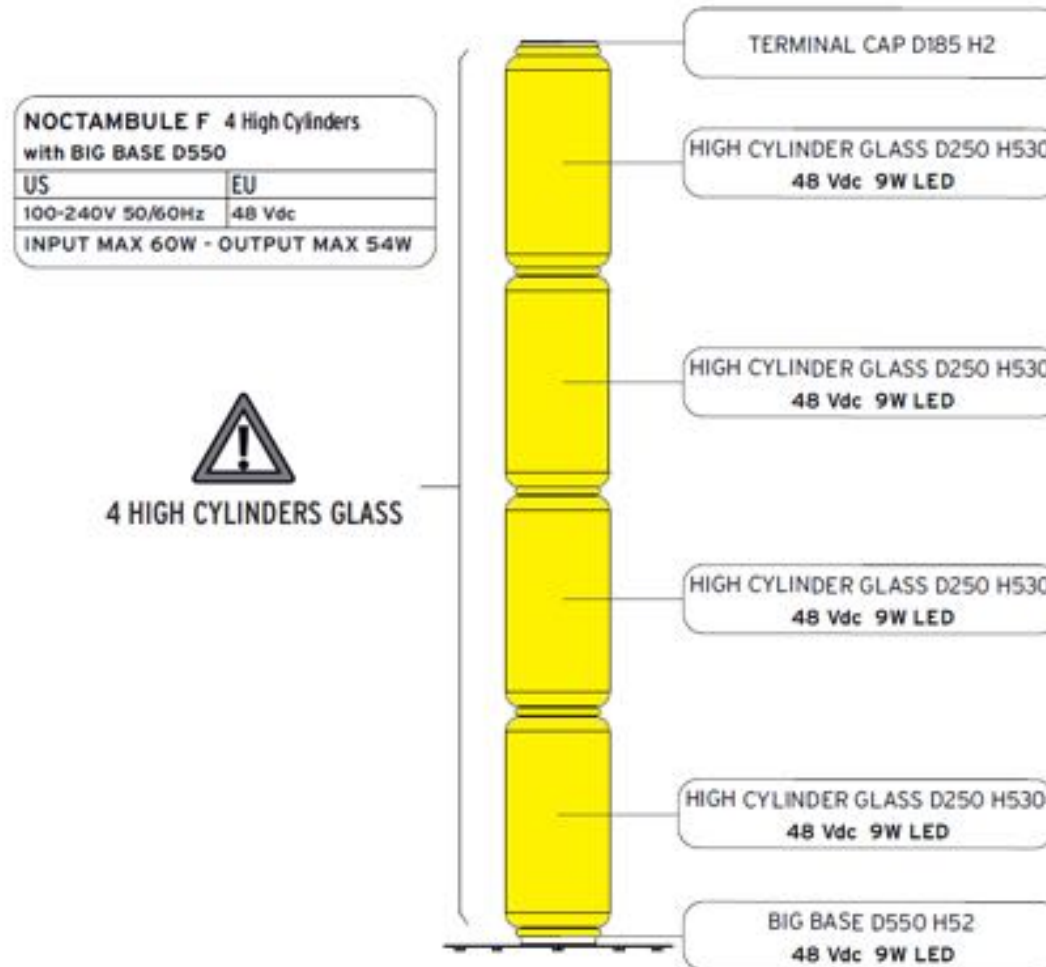
Tighten the screws of the base.

Connect the dimmer to the electrical cable.

## NOCTAMBULE F TECHNICAL DATA



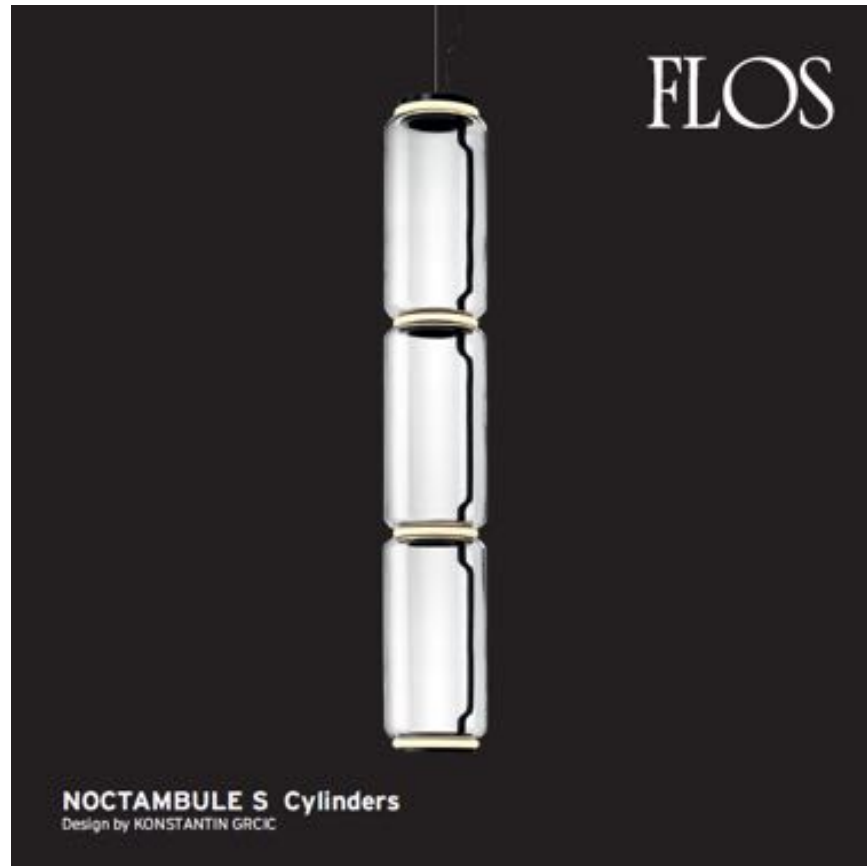
## NOCTAMBULE F TECHNICAL DATA



## NOCTAMBULE S INSTRUCTIONS

# FLOS

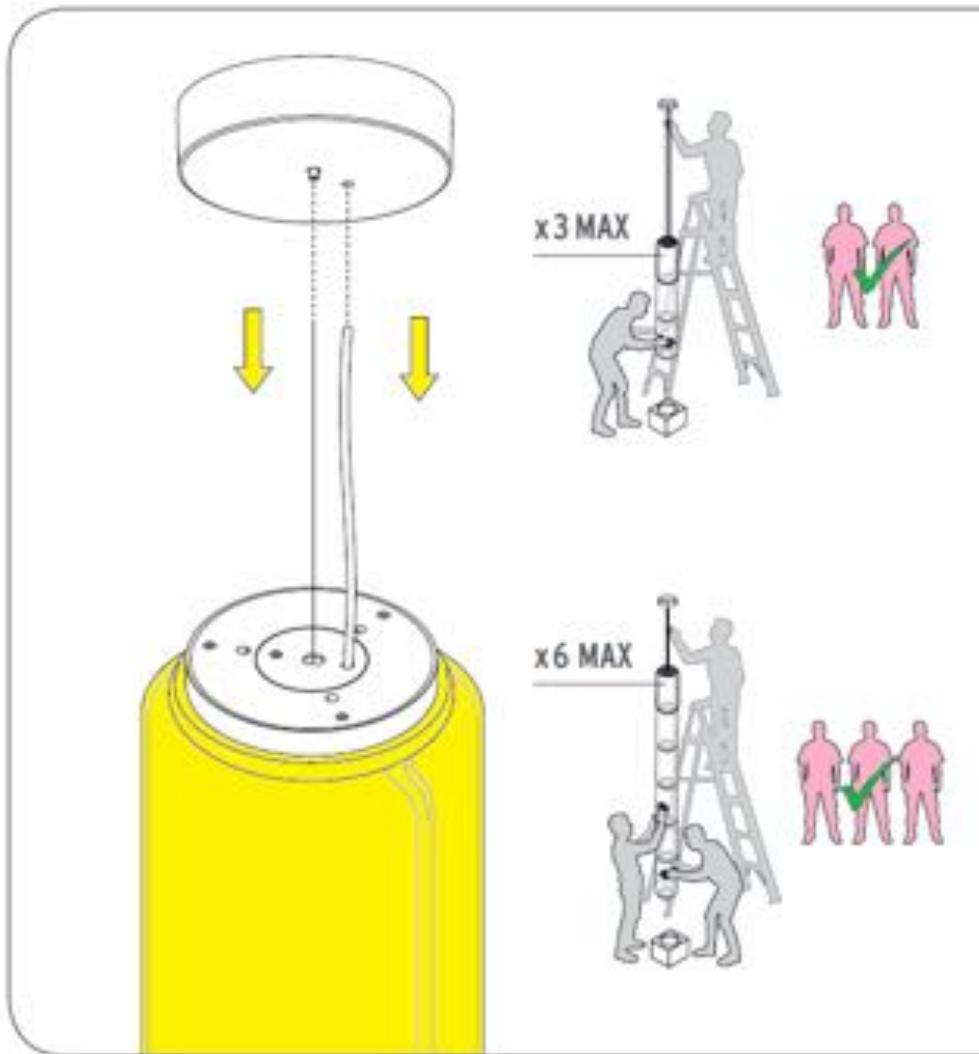
---



**FLOS U.S.A., Inc.** 110 York Street, 5th Floor, Brooklyn, NY 11201 | Tel: 718-875-3472 | Email: [e-shop@flosusa.com](mailto:e-shop@flosusa.com) | <http://usa.flos.com>

This document is exclusive property of Flos S.p.A. and its affiliated companies.

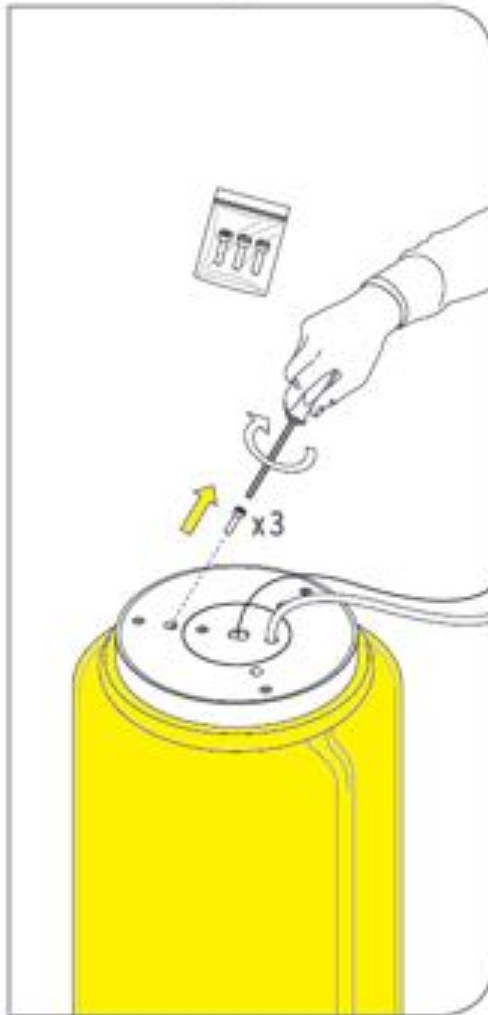
**Fig. 1**



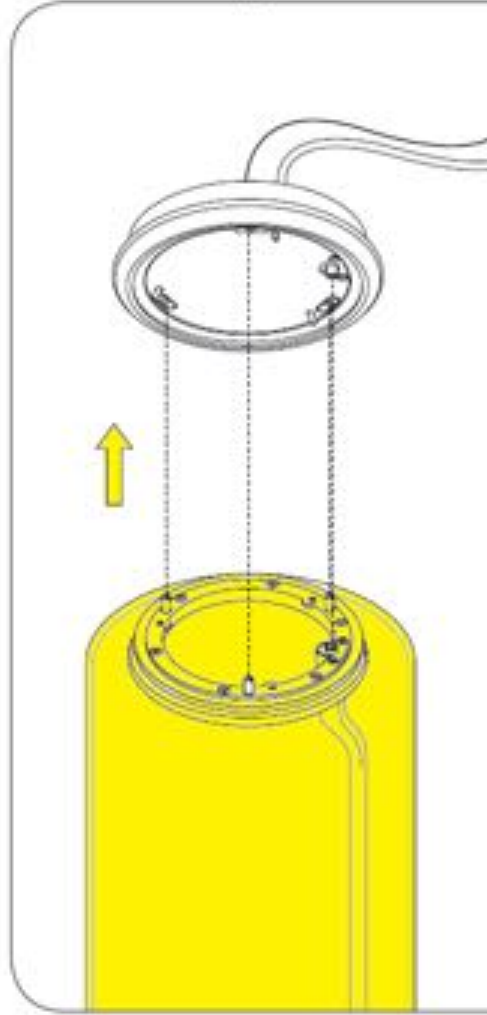
**WARNING!** When installing and whenever acting on the appliance, ensure that the power supply has been switched off. For the installation of the spare-part, it is necessary to consult a qualified electrician.

Disconnect the cylinders from the ceiling rose.

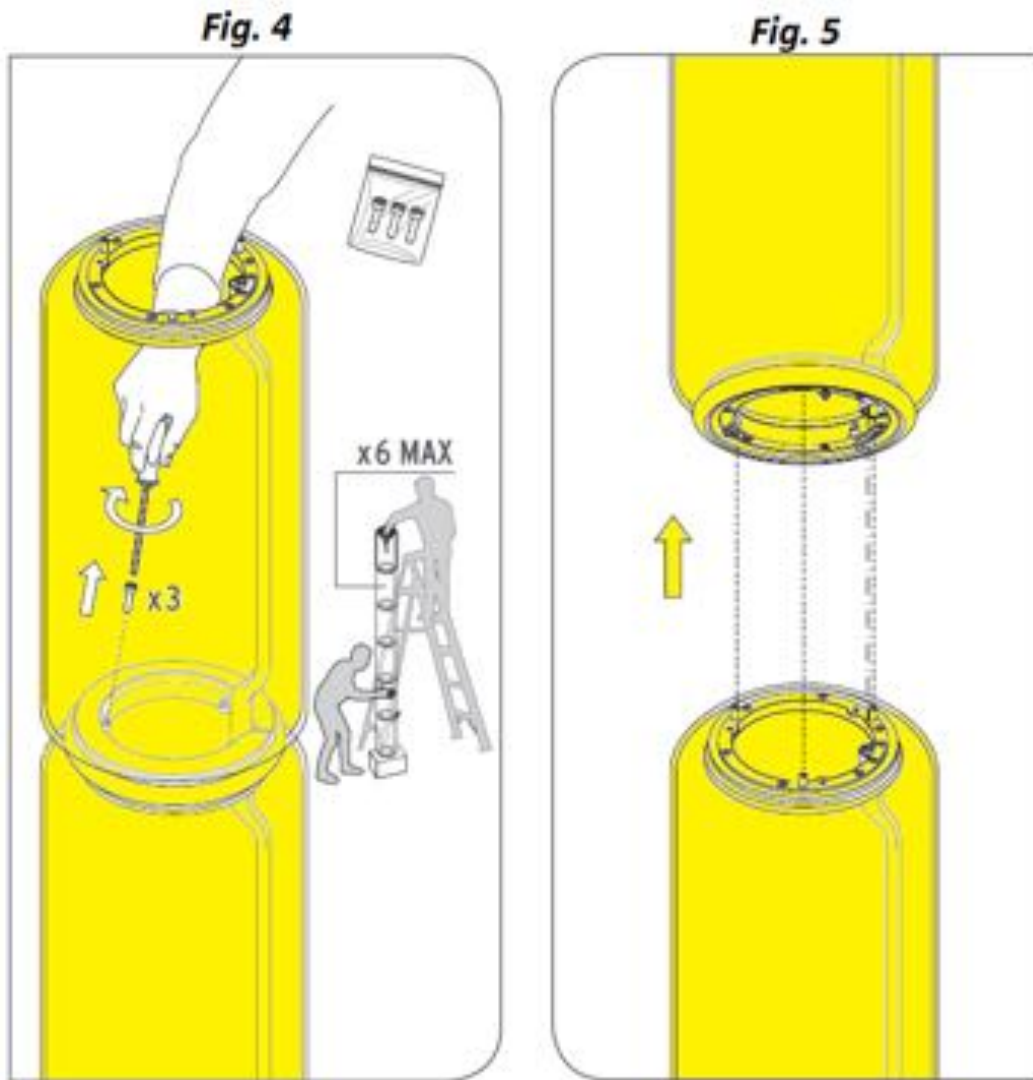
**Fig. 2**



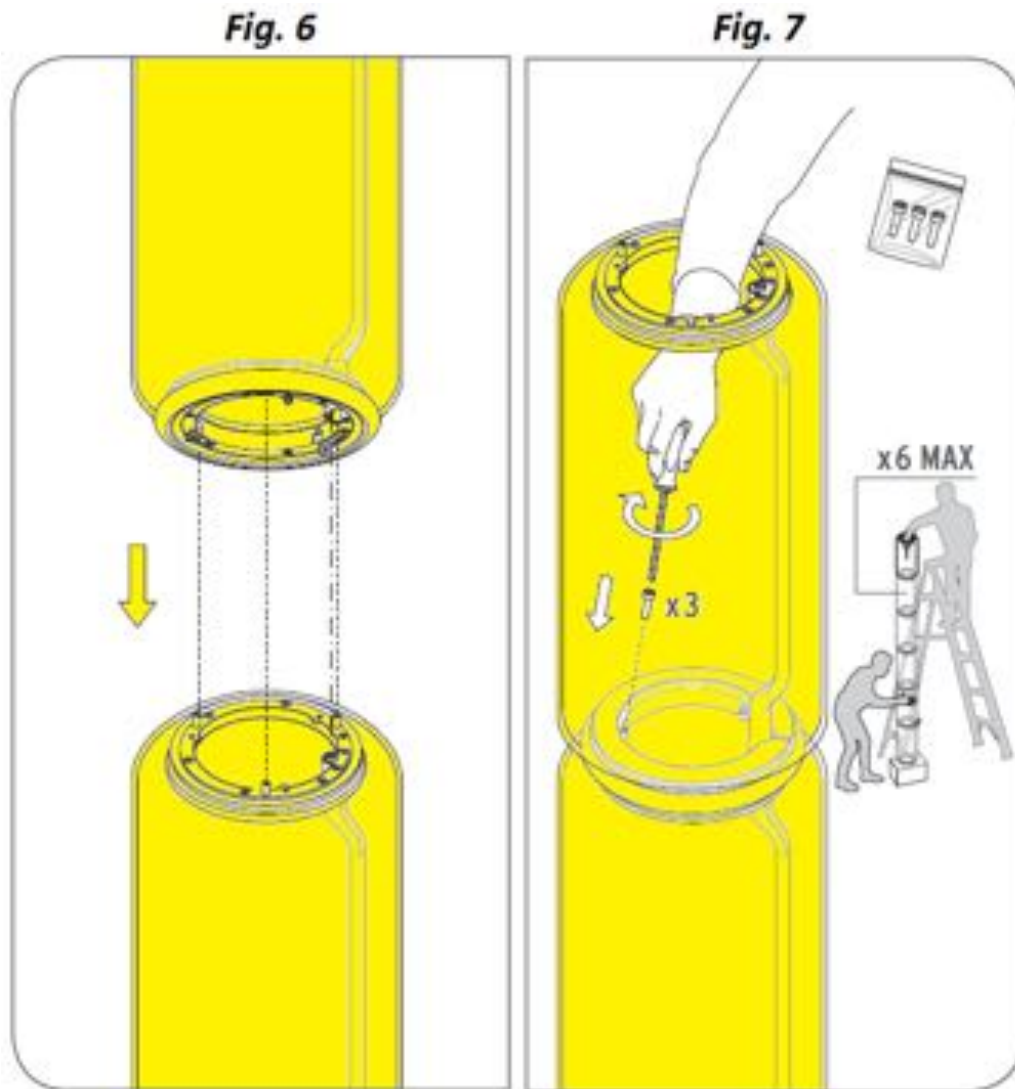
**Fig. 3**



Unscrew the screws from the suspension attack.  
Remove the suspension attack from the cylinder.



Unscrew the screws from the cylinder (Fig. 4).  
Disconnect the cylinder from the other one (Fig. 5).  
Replace the old cylinder with the new one.

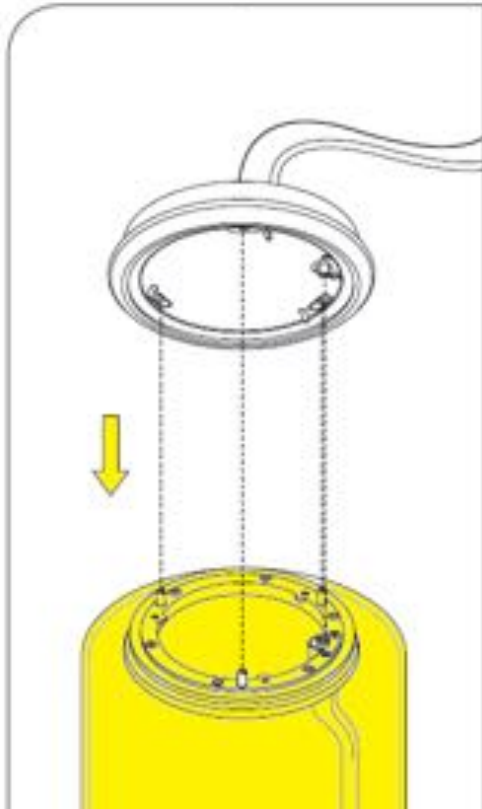


Connect the cylinders (Fig. 6).

Tighten the screws to the cylinder (Fig. 7).



**Fig. 8**



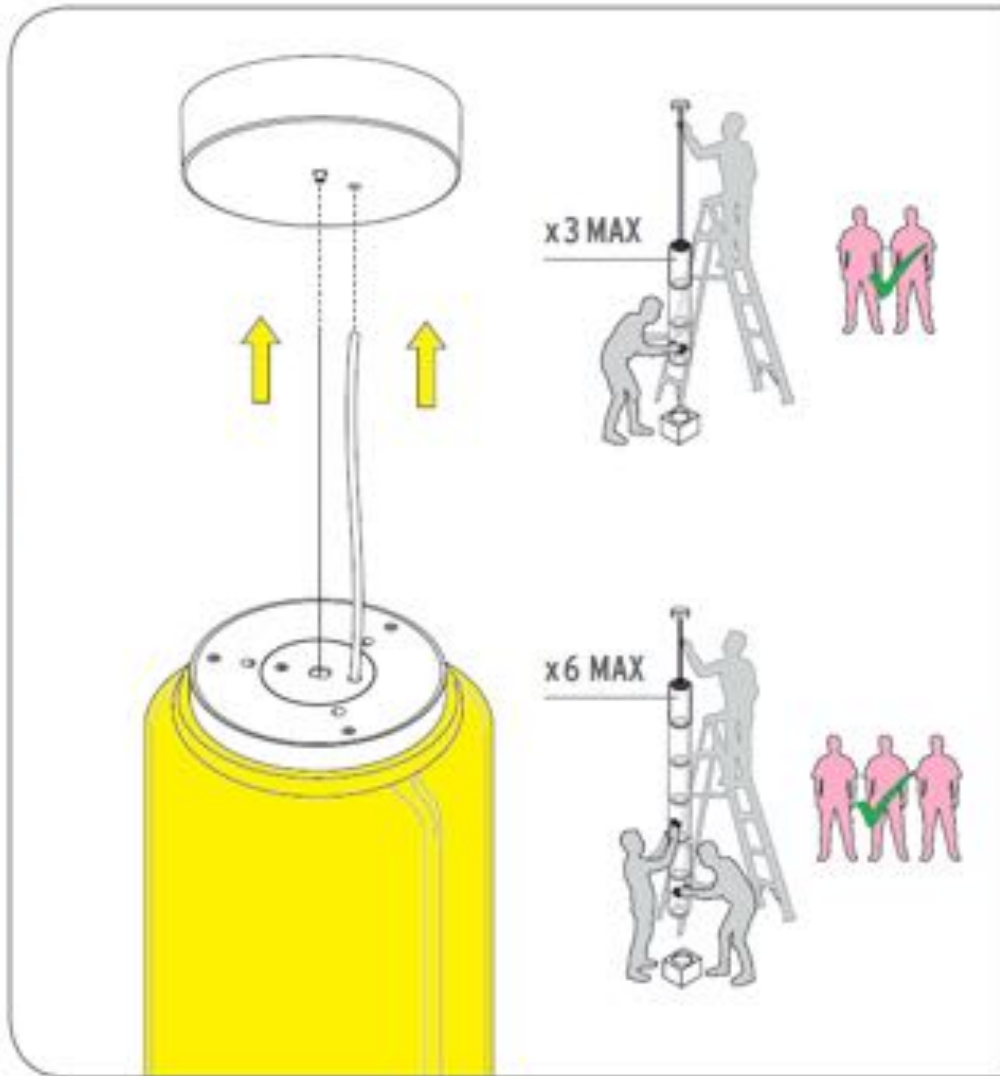
Connect the lamp to the ceiling rose.

**Fig. 9**



Connect the suspension attack to the cylinder.  
Tighten the screws to the suspension attack.

Fig. 10



## NOCTAMBULE S TECHNICAL DATA

