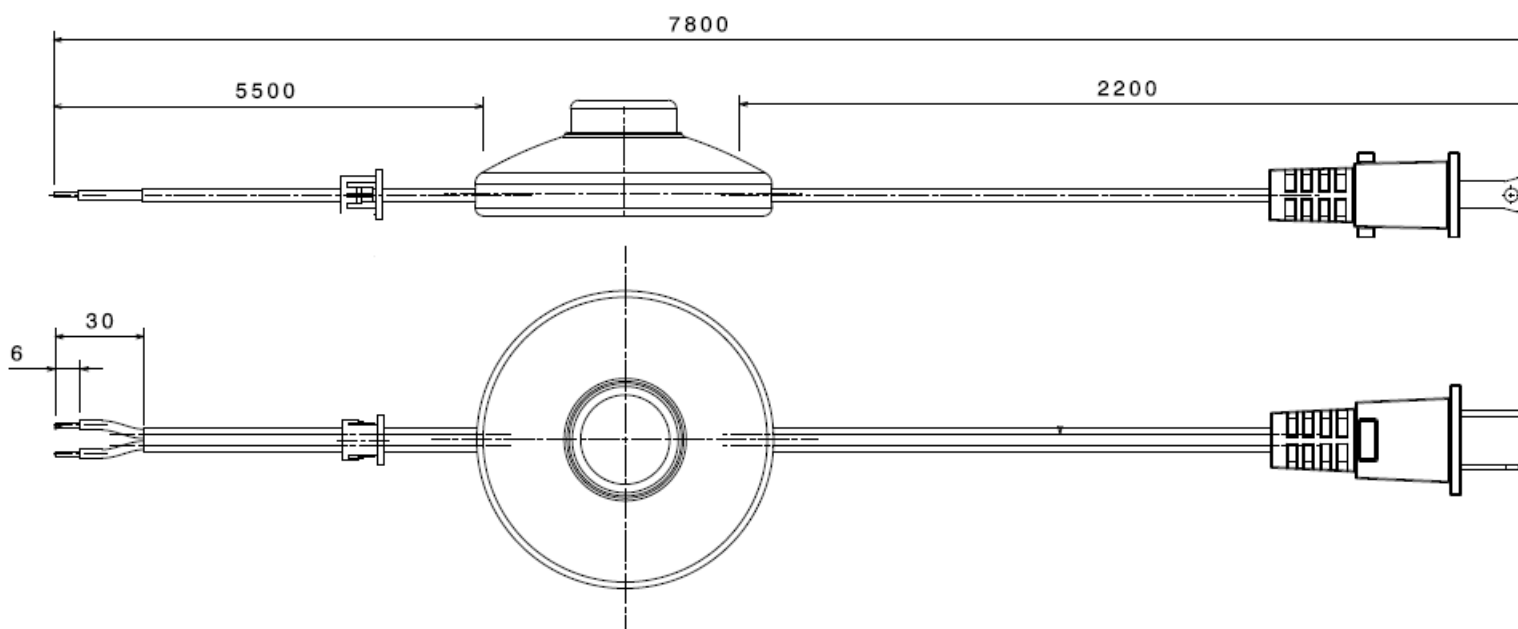
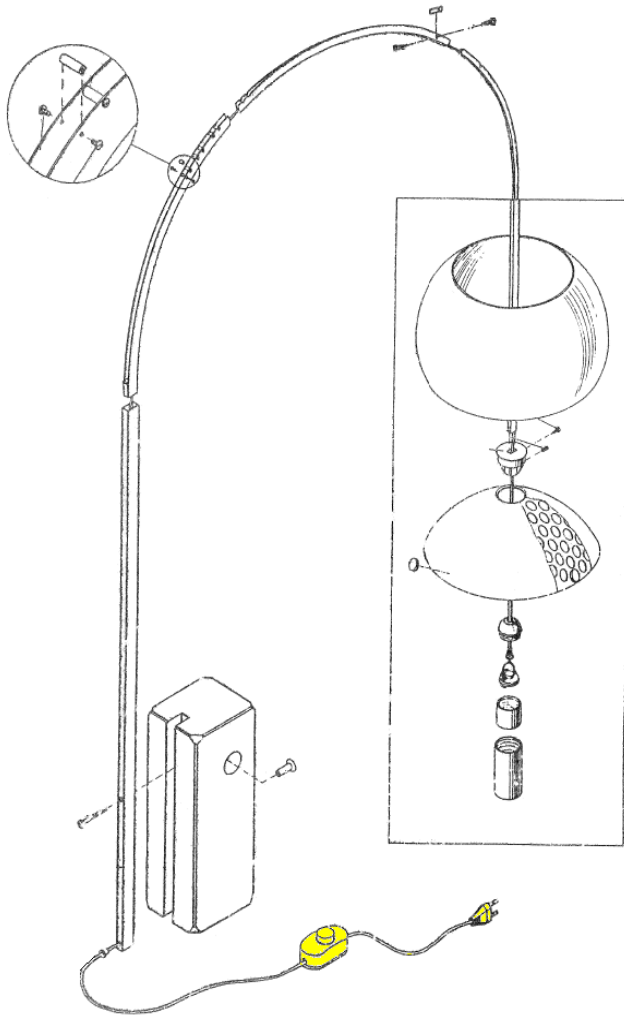


17423**ELECTRICAL WIRING ASSEMBLY WITH ON-OFF SWITCH**



WARNING! When installing and whenever acting on the appliance, ensure that the power supply has been switched off.

For the installation of the spare-part, it is necessary to consult a qualified electrician.

Remove the grid-reflector assembly.

Insert the electrical cable by sliding it through the stem and channels.

CAREFUL!!! Do not tear/mark the isolation of electrical cable.

Connect the electrical wires to the lamp-fitting terminals respecting the polarities.

Re-assemble the grid-reflector assembly by locking the assembly through the anodized sleeve.