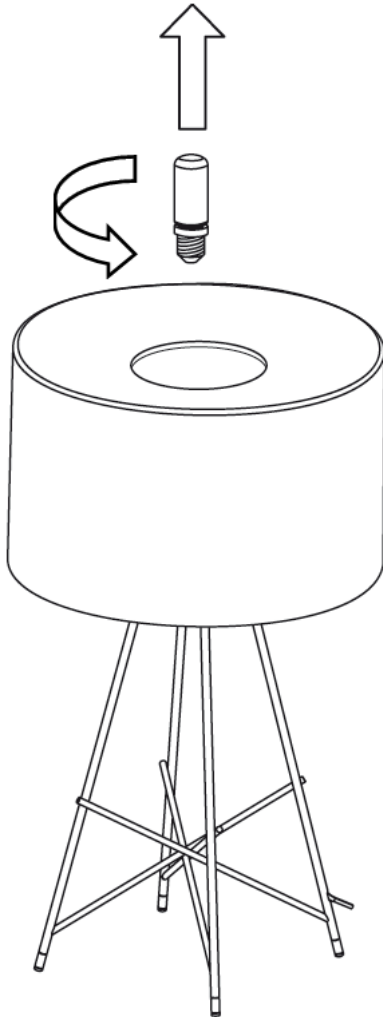

15854

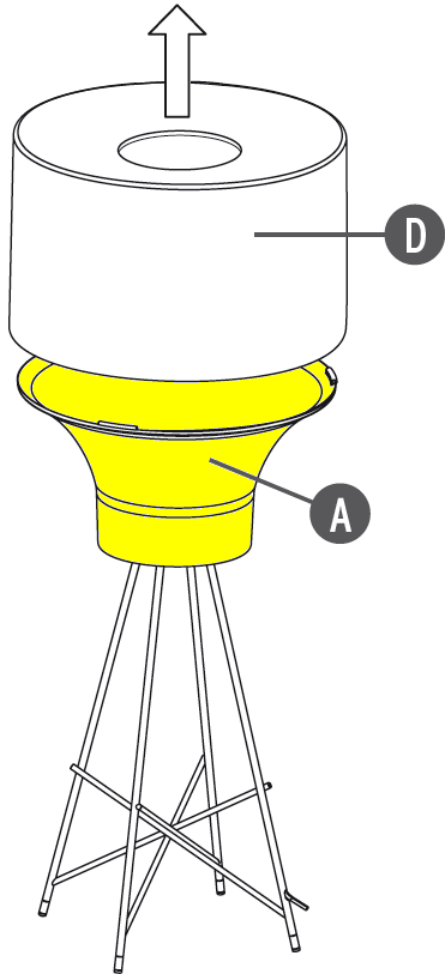
F1-T DIFFUSER SUPPORT



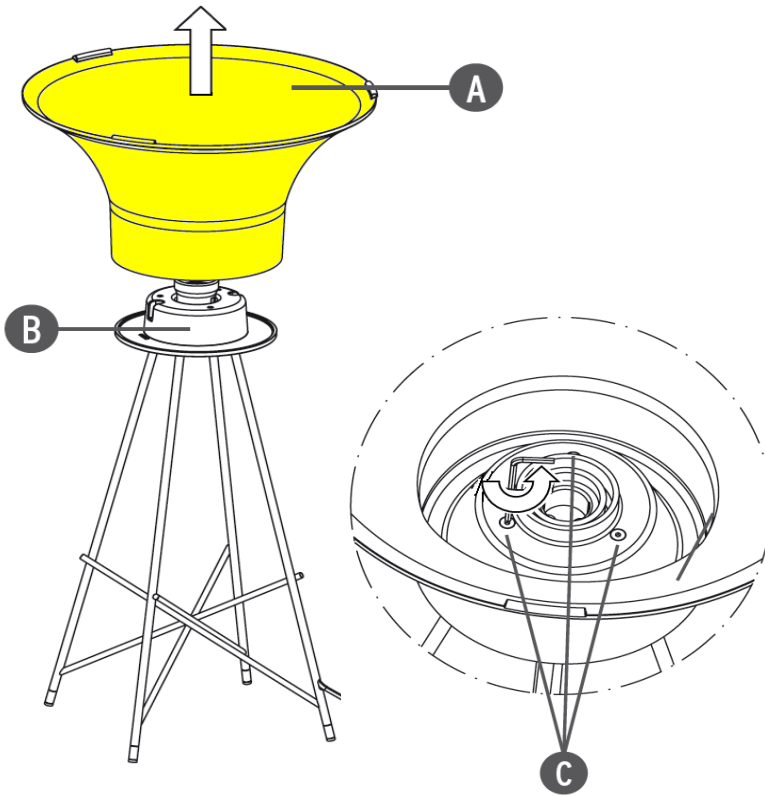
WARNING! When installing and whenever acting on the appliance, ensure that the power supply has been switched off.
For the installation of the spare-part, it is necessary to consult a qualified electrician.



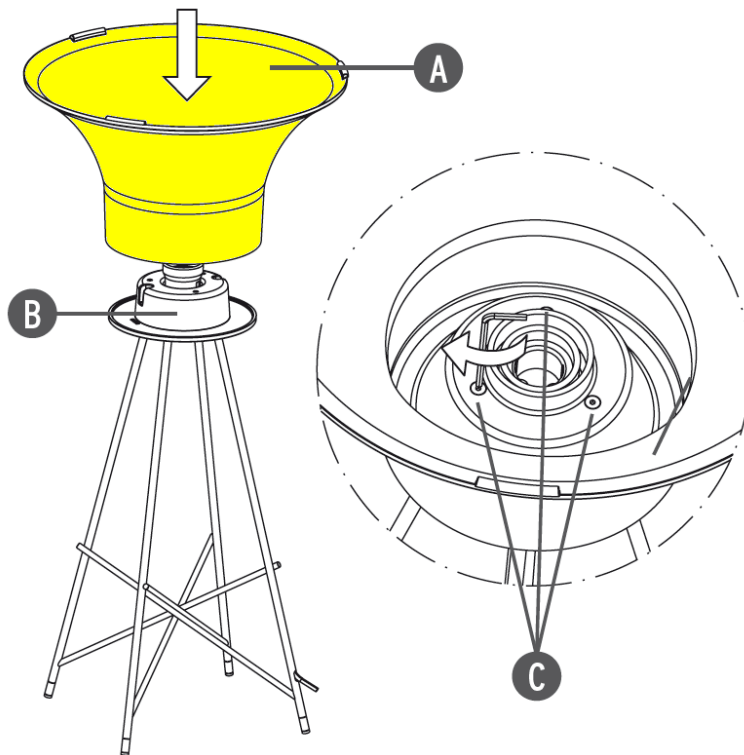
Verify that the lamp-bulb has been removed from the device.



Remove the diffuser (D) from its support (A).

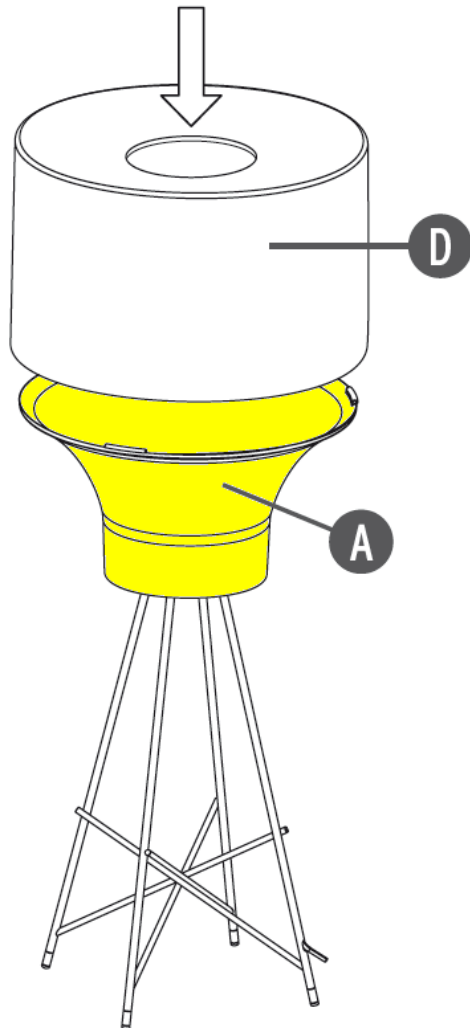


Unfasten the three screws (C) inside the diffuser support (A) that needs to be replaced by utilizing an Allen key and then remove the diffuser support (A) from unit (B).

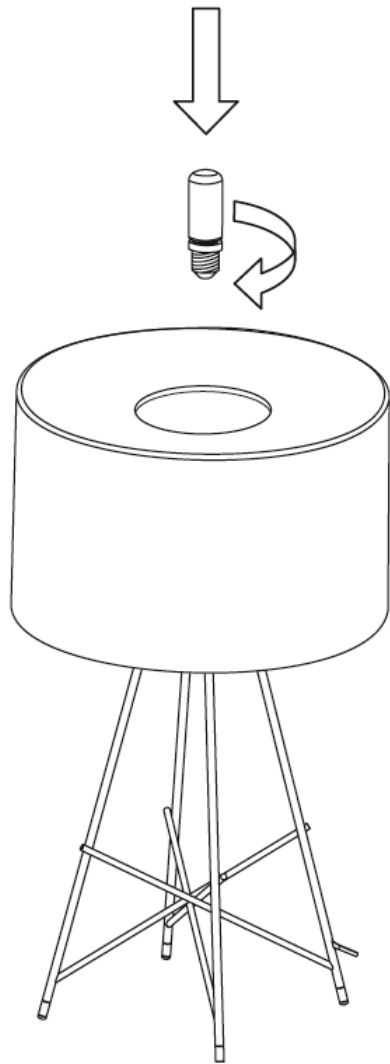


Assemble now the new spare-part:

Assemble the diffuser support (A) on the unit (B) by fastening the screws (C).



Collocate the diffuser (D) on the diffuser support (A).



Insert the lamp-bulb.