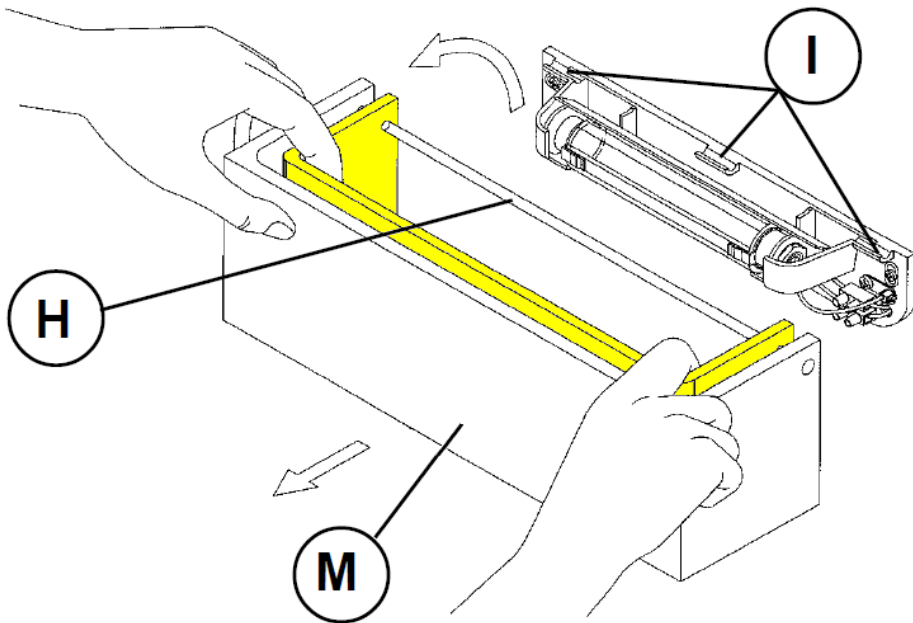

13567

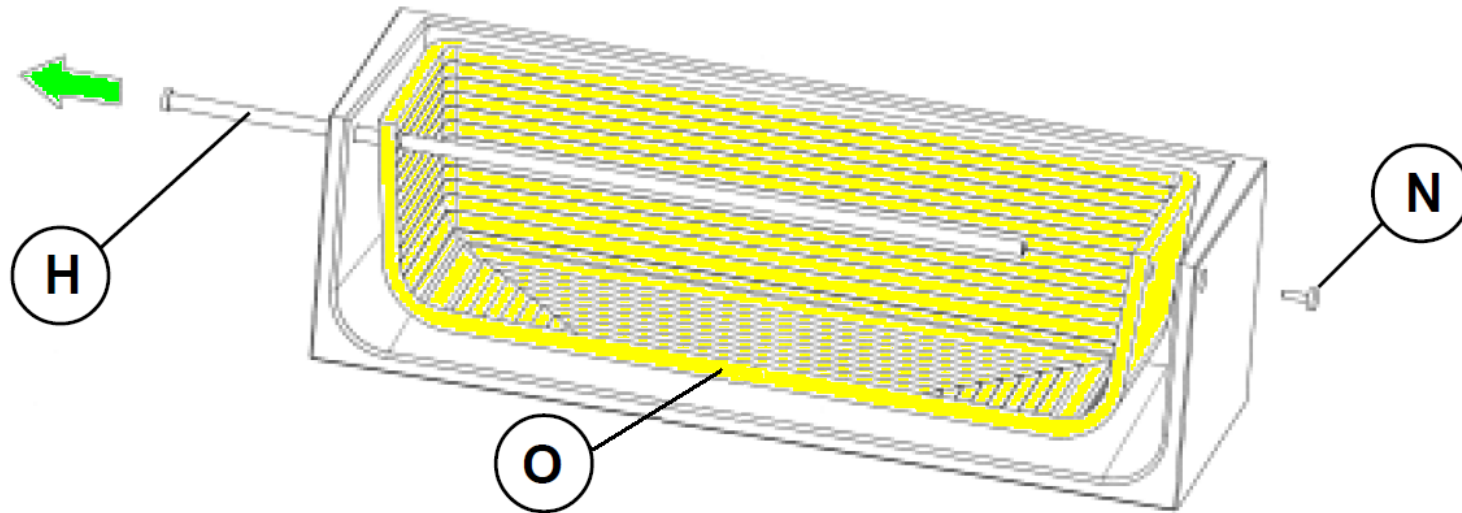
ONTHEROCKS 1 HL INTERNAL WHITE DIFFUSER



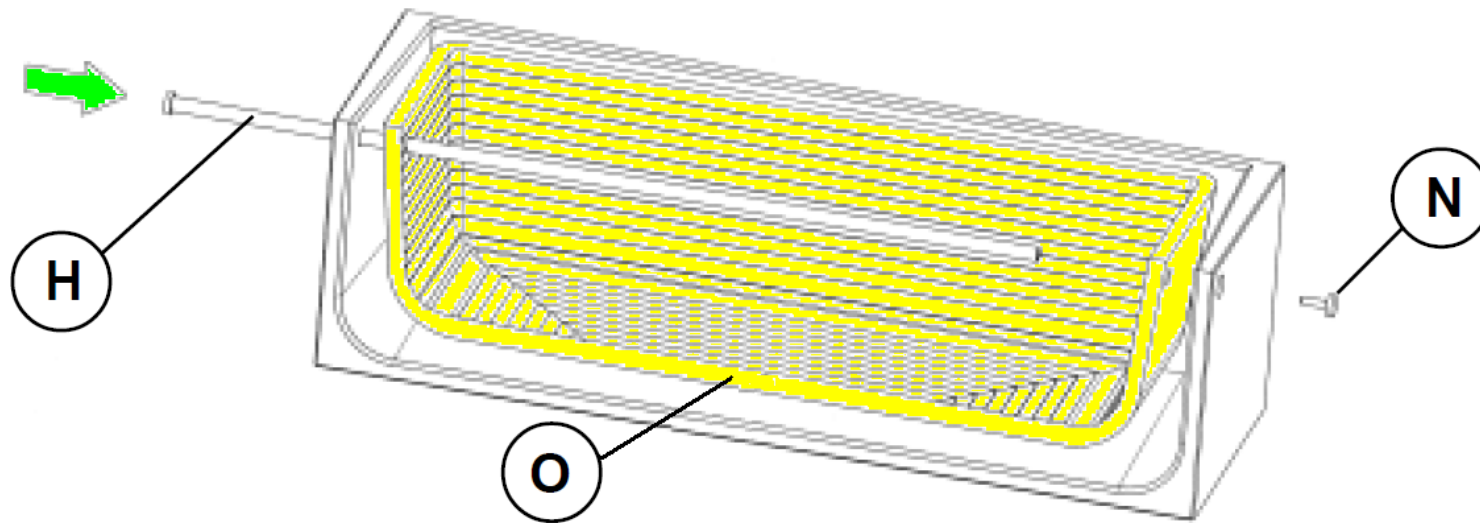
WARNING! When installing and whenever acting on the appliance, ensure that the power supply has been switched off.
For the installation of the spare-part, it is necessary to consult a qualified electrician.



Remove the glass diffuser assembly (M) by unhooking the rod (H) from the seats (I).

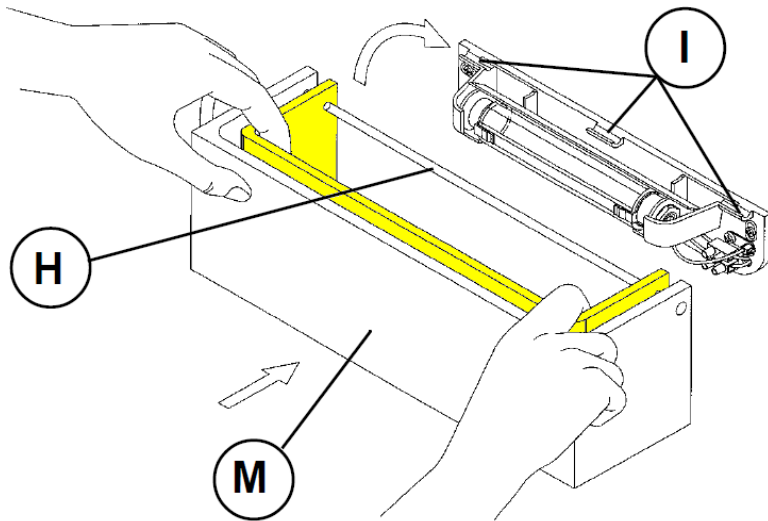


To remove the internal diffuser (O) it is necessary to unfasten the screw (N) and slide-out the rod (H).



Assemble now the new spare-part:

Assemble the diffusers by inserting the rod (H) through the lateral holes and by tighten the screw (N) onto the end side of the rod (H).



Collocate the diffuser assembly (M) on the wall attachment by resting the rod (H) in the appropriate seats (I).
Centre (balance) the internal white glass diffuser with the external transparent glass diffuser on the seats (I).

