
FUCSIA 1 ROSE ASSEMBLY

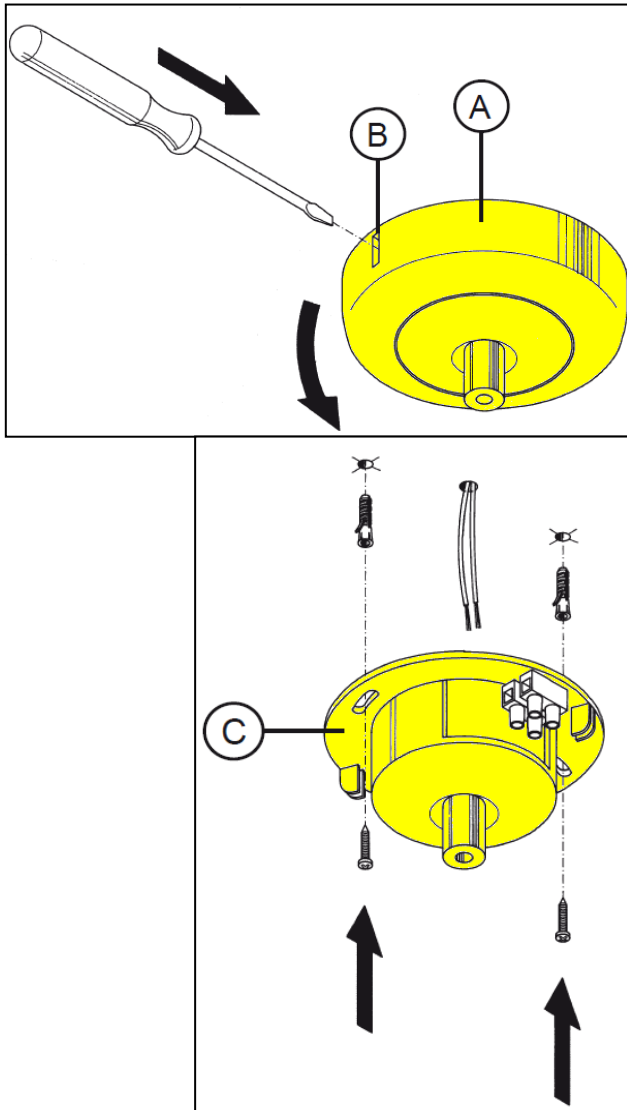


12115

FUCSIA 1 USA ASSEMBLY VERSION

06123

FUCSIA 1 UL ASSEMBLY VERSION



WARNING! When installing and whenever acting on the appliance, ensure that the power supply has been switched off.

For the installation of the spare-part, it is necessary to consult a qualified electrician.

Remove the ceiling rose (A) from the ceiling attachment by inserting a screwdriver in the opening (B) and force it delicately to open.

Fix the ceiling attachment (C) using expansion bolts.

NOTE: Choose screw and anchors that are suitable for the type of surface, which it will be installed on.

TECHNICAL DRAWING CEILING ATTACHMENT AND ROSE

